

9 SKUs in one EZPAN!

Selectable output and color in the field makes EZPAN even easier!

EZPAN[®] FA



**FIELD
ADJUSTABLE**



RAB[®] | Indoor

RABLIGHTING.COM • 888 722-1000

EZPAN[®] FA



RAB's warranty is subject to all terms and conditions found at rablighting.com/warranty

- Field-adjustable light output (3 discrete steps)
- White tunable (3 discrete color temperatures)
- Can be changed before, during or after installation
- Battery backup option offered
- Available with Lightcloud[®] Controller
- 75,000-Hour LED lifespan

What you need, where you need it.

The EZPAN FA is ideal for use in healthcare facilities, office spaces and classrooms, where lighting preferences vary from space to space.



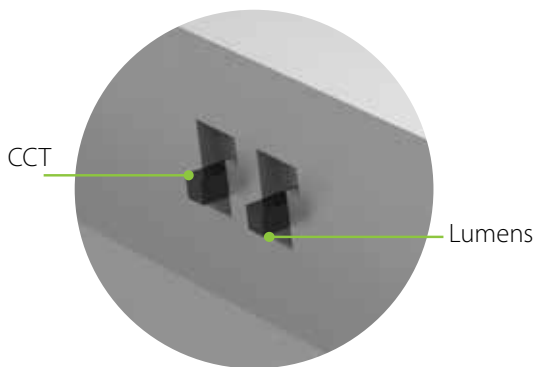
Healthcare



Office



Classrooms



Supply and demand

3 SKUs (1x4, 2x2, 2x4) now do the work of 27. Both lumen output and color temperature are adjustable after purchase.



Ultra-efficient performance

With an efficacy of up to 124 lm/W, EZPAN FA outperforms Standard DLC requirements for LED panels.



Stay in control

For finer light level control, 0-10V dimming can be used.



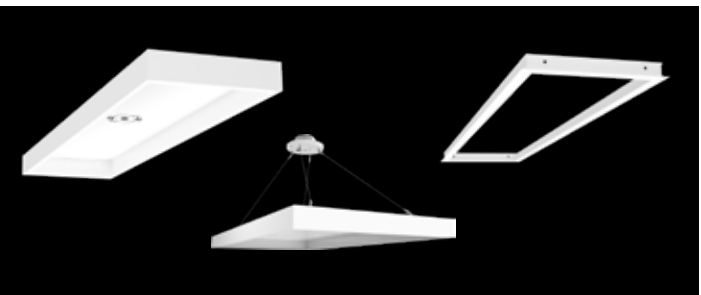
The power is in your hands.

1x4 and 2x2 models can be set to 25, 30 or 40W, and 2x4 models can be set to 30, 40 or 50W. All form factors have selectable CCT of 3500, 4000, or 5000K.



It's OK to be shallow.

With a height just under 2" the EZPAN FA is an ideal solution for shallow plenums.



Maximized versatility.

Three EZPAN FA mounting kits cover all application needs: surface, pendant and recessed mounting.



Installs are a cinch.

An NEC-compliant junction box with flying leads makes wiring as simple as twisting a few wire nuts, and integral T-bar clips secure EZPAN FA to standard T-bar systems.



Easy on the eyes.

Frosted polystyrene lens delivers even and diffuse ambient illumination that's ideal for spaces where glare-free lighting is essential.

UL Listing

Suitable for dry and damp locations.

Lens

Frosted polystyrene.

LEDs

Long-life, high efficacy, mid-power, surface-mount LEDs.

IESNA LM-79 & IESNA LM-80 Testing

RAB LED luminaires and LED components have been tested by an independent laboratory in accordance with IESNA LM-79 and LM-80.

Lifespan

75,000-Hour LED lifespan based on IES LM-80 results and TM-21 calculations

Green Technology

Mercury and UV free. RoHS-compliant components.

Ambient Operating Temperature

Suitable for use up to 40°C (104°F)

Mounting

Recessed ceiling

Dimming Driver

0-10V dimmable LED driver provides smooth and continuous dimming.

Housing

Lightweight aluminum housing

Finish

Formulated for high durability and long-lasting color

Driver

Constant Current, Class 2, 120-277V, 50/60 Hz

(1x4)

25W: 0.22A @ 120V; 0.13A @ 208V, 0.11A @ 240V, 0.10A @ 277V

30W: 0.26A @ 120V; 0.15A @ 208V, 0.13A @ 240V, 0.12A @ 277V

40W: 0.33A @ 120V; 0.19A @ 208V, 0.17A @ 240V, 0.15A @ 277V

(2x2)

25W: 0.22A @ 120V; 0.13A @ 208V, 0.11A @ 240V, 0.10A @ 277V

30W: 0.25A @ 120V; 0.15A @ 208V, 0.13A @ 240V, 0.12A @ 277V

40W: 0.33A @ 120V; 0.19A @ 208V, 0.17A @ 240V, 0.15A @ 277V

(2x4)

30W: 0.26A @ 120V; 0.15A @ 208V, 0.13A @ 240V, 0.12A @ 277V

40W: 0.34A @ 120V; 0.20A @ 208V, 0.17A @ 240V, 0.15A @ 277V

50W: 0.42A @ 120V; 0.24A @ 208V, 0.21A @ 240V, 0.18A @ 277V

Energy savings up to

73%

Finish



White

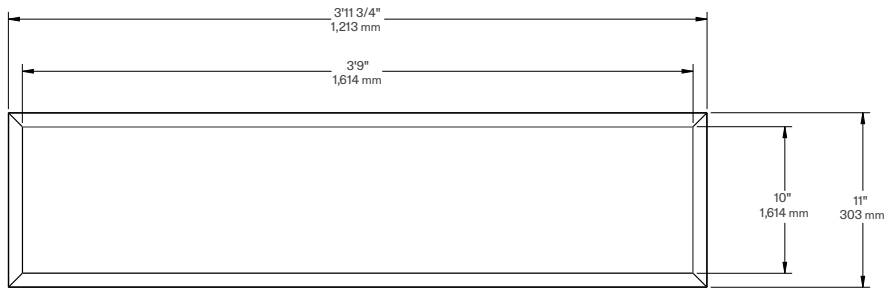
Replaces up to:

(4) F32T8 or
(4) F28T5

Dimensions

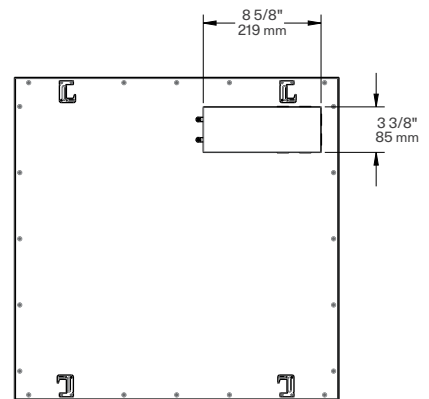
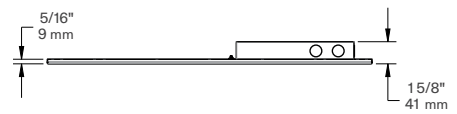
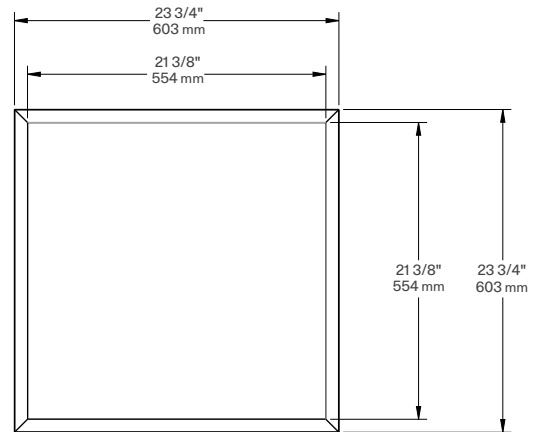
EZPAN® FA 1X4

Weight: 7.1 lbs.



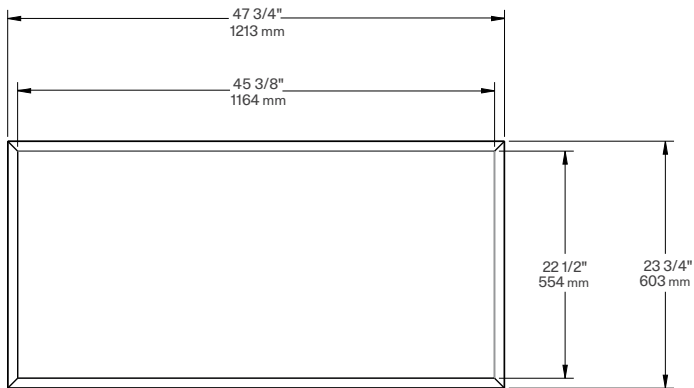
EZPAN® FA 2X2

Weight: 7.1 lbs.



EZPAN® FA 2X4

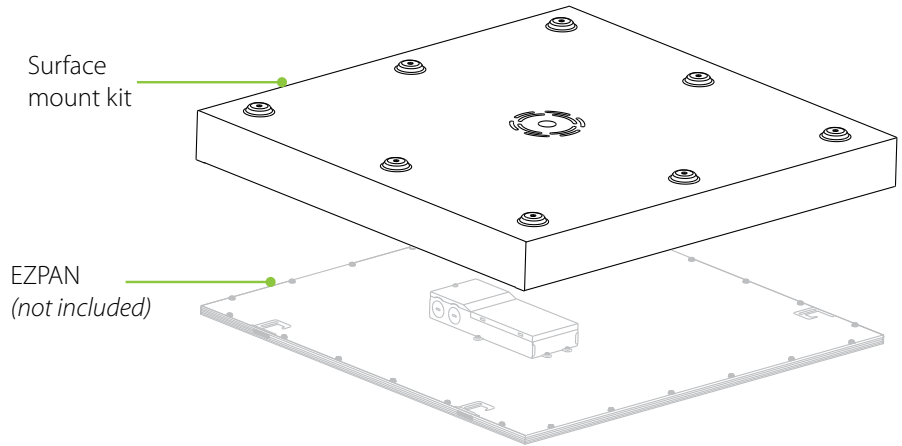
Weight: 13.4 lbs.



Mounting Kits

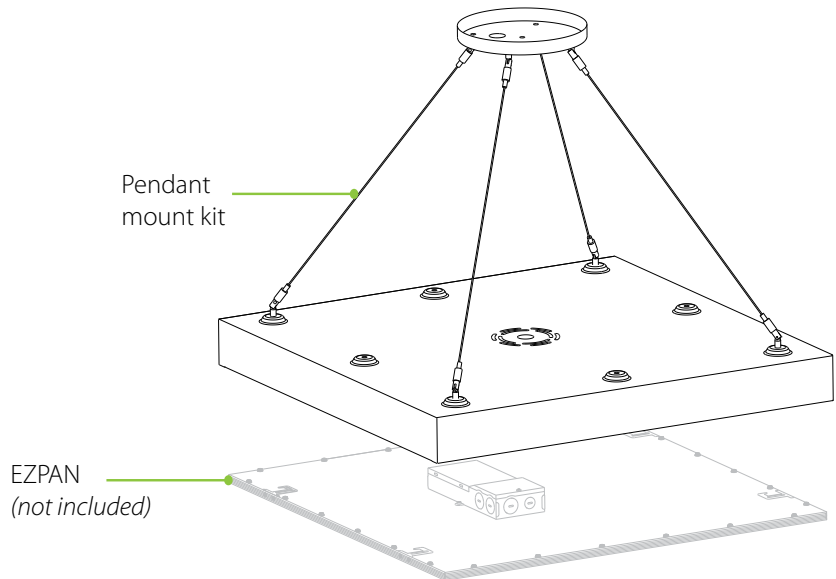
Surface Mounting Kits

- SMKEZPAN - 1X4 Surface Mounting Kit
- SMEKZPAN - 2X2 Surface Mounting Kit
- SMKEZPAN - 2X4 Surface Mounting Kit



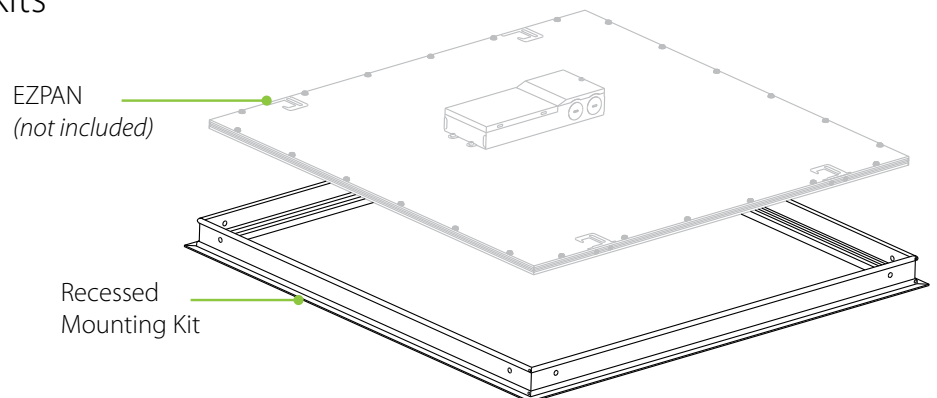
Pendant Mounting Kits

- PMKEZPAN - 1X4 Pendant Mounting Kit
- PMKEZPAN - 2X2 Pendant Mounting Kit
- PMKEZPAN - 2X4 Pendant Mounting Kit



Recessed Drywall Mounting Kits

- RMKPANEL - 1X4 Recessed Mounting Kit
- RMKPANEL - 2X2 Recessed Mounting Kit
- RMKPANEL - 2X4 Recessed Mounting Kit



Performance

1 x 4	25W	3500K 4000K 5000K			30W	3500K 4000K 5000K			40W	3500K 4000K 5000K		
	Lumens	3032	3059	2960	3541	3584	3495	4391	4569	4351		
	Efficacy (lm/W)	115	120	113	114	119	112	109	117	107		
	Color Accuracy (CRI)	79	81	81	79	81	81	79	81	81		
2 x 2	25W	3500K 4000K 5000K			30W	3500K 4000K 5000K			40W	3500K 4000K 5000K		
	Lumens	3140	3276	3117	3618	3810	3600	4425	4802	4435		
	Efficacy (lm/W)	119	128	118	115	125	115	107	123	109		
	Color Accuracy (CRI)	79	81	81	79	81	81	79	81	81		
2 x 4	30W	3500K 4000K 5000K			40W	3500K 4000K 5000K			50W	3500K 4000K 5000K		
	Lumens	3642	3745	3600	4609	4845	4578	5365	5630	5311		
	Efficacy (lm/W)	119	127	118	114	125	114	111	122	110		
	Color Accuracy (CRI)	79	82	81	79	81	81	79	81	81		

Performance data is based on test performed at 120V.

Ordering Matrix

Product	Size	Voltage	Options
EZPANFA		/D10	
	2X4 2' X 4' 2X2 2' X 2' 1X4 1' X 4'	/D10 0-10V dimming, 120-277V	Blank /LC /E2 No options Lightcloud Controller Battery Backup

Product	Size
SMKEZPAN Surface Mount Kit	2X4 2' X 4' 2X2 2' X 2' 1X4 1' X 4'

Product	Size
PMKEZPAN Pendant Mount Kit	2X4 2' X 4' 2X2 2' X 2' 1X4 1' X 4'

Product	Size
RMKPANEL Recessed Mount Kit	2X4 2' X 4' 2X2 2' X 2' 1X4 1' X 4'

Available with Lightcloud® controls.

Lightcloud is a commercial wireless lighting control system and service, fully developed and supported by RAB.

- Use your mobile device, tablet or computer for switching and dimming of individual fixtures or entire areas
- Complimentary rebate assistance and lighting design services
- Programmable schedules let you illuminate zones, automatically adjusting for sunrise and sunset times
- Save up to 68% on energy costs from lighting

