

Affordability. Versatility.  
Now available in 80W.



5 wattages.  
3 beam spreads.  
3 mounting options.  
1 floodlight family.



**RAB**® | Outdoor

RABLIGHTING.COM • 888 722-1000

# FFLED®

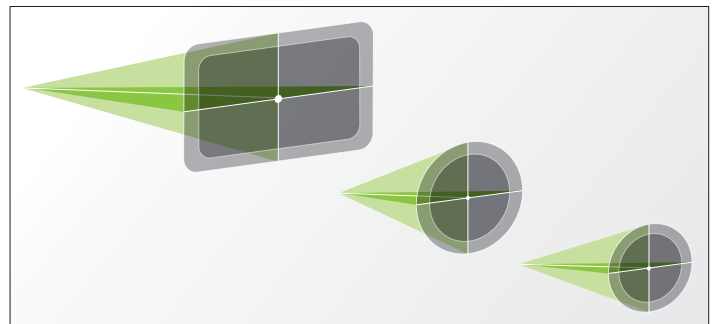


RAB's warranty is subject to all terms and conditions found at [rablighting.com/warranty](http://rablighting.com/warranty)

- Replace 35W to 250W metal halide floods
- Available in 18W, 26W, 39W, 52W and 80W
- NEMA Type 7x6 beam spread (4x4 or 5x5 distributions also available\*)
- Ultra efficient: up to 112 lumens per Watt
- Swivel arm, trunnion mount and slipfitter mount options\*
- 100,000-Hour LED lifespan



Three mounting options: standard swivel arm, trunnion or slipfitter.\*



Three NEMA Types: 7x6, 5x5 and 4x4 for various beam spreads.\*



Patent-pending Air-Flow fins keep FFLEDs running cool.

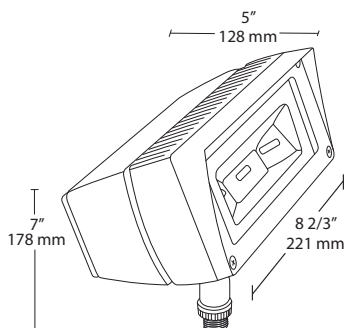


The FFLED family is ultra efficient, performing at up to 112 lm/W.

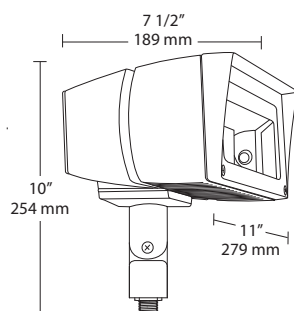
\*Not available for 18W models.

## Dimensions and weight

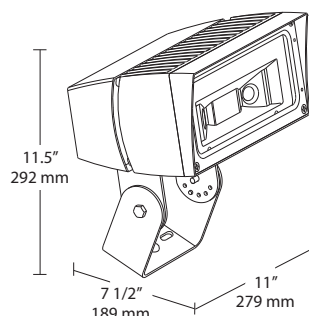
**FFLED18**  
Weight: 4.8 lbs.



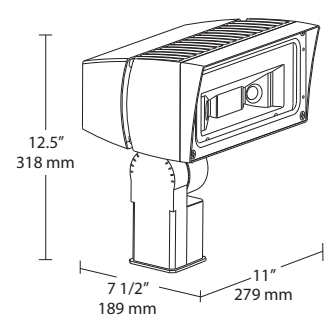
**STANDARD SWIVEL ARM**  
Weight: 12.5 lbs.



**OPTIONAL TRUNNION MOUNT**  
Weight: 14.2 lbs.



**OPTIONAL SLIPFITTER MOUNT**  
Weight: 14.2 lbs.





# FFLED® Specifications

**UL Listing:** Suitable for wet locations. Suitable for ground mounting.

**LED:** Multi-chip, high-output, long-life LEDs

**Lifespan:** 100,000-hour LED lifespan based on IES LM-80 results and TM-21 calculations

**Drivers:**

**18W:** Constant Current, Class 2, 100-277V, 50/60 Hz, 6 kV surge protection, 120V: 0.17 A, 208V: 0.1 A, 240V: 0.09 A, 277V: 0.08 A

**26W:** Constant Current, Class 2, 100-277V, 50/60 Hz, 6 kV surge protection, 120V: 0.24 A, 208V: 0.15 A, 240V: 0.13 A, 277V: 0.11 A, 480V: 0.06 A

**39W:** Constant Current, Class 2, 100-277V, 50/60 Hz, 6 kV surge protection, 120V: 0.35 A, 208V: 0.20 A, 240V: 0.18 A, 277V: 0.15 A, 480V: 0.08 A

**52W:** Constant Current, Class 2, 100-277V, 50/60 Hz, 6 kV surge protection, 120V: 0.45 A, 208V: 0.27 A, 240V: 0.24 A, 277V: 0.21 A, 480V: 0.13 A

**80W:** Constant Current, Class 2, 100-277V, 50/60 Hz, 6 kV surge protection, 120V: 0.74 A, 208V: 0.48 A, 240V: 0.41 A, 277V: 0.36 A

**Equivalencies:** 18W replaces 70W MH, 26W replaces 100W MH, 39W replaces 150W MH, 52W replaces 175W MH, 80W replaces 250W MH (based on 5000K performance)

**5000K Color Temperature**

Nominal Watts @120V	18W	26W	39W	52W	80W
Input Watts*	20	29	42	54	89
Output Lumens*	2431	4087	5699	5496	9672
Lumens Per Watt*	123	143	136	102	109
Color Accuracy (CRI)*	71	75	75	67	72

**4000K Color Temperature**

Nominal Watts @120V	18W	26W	39W	52W	80W
Input Watts*	19	28	42	54	88
Output Lumens*	2111	4043	5641	4536	9157
Lumens Per Watt*	109	143	134	84	104
Color Accuracy (CRI)*	71	75	75	82	72

**3000K Color Temperature**

Nominal Watts @120V	18W	26W	39W	52W	80W
Input Watts*	19	28	42	54	87
Output Lumens*	2064	3952	5518	4342	8591
Lumens Per Watt*	107	140	132	81	98
Color Accuracy (CRI)*	83	71	70	80	71

\* Values shown for 7H x 6V NEMA Type only. Visit [rabweb.com](http://rabweb.com) for 5H x 5V and 4H x 4V performance.

**Dimming:** 18, 26, 39, 52 and 80W: Available as On/Off or with 0-10V dimming.

**Cold Weather Starting:** The minimum starting temperature is -40°C.

**Thermal Management:** Superior heat sinking with external Air-Flow fins

**Housing:** Die-cast aluminum housing, lens frame and mounting arm

**Reflector:** 18W: Semi-specular anodized aluminum, 26, 39, 52 and 80W: specular polycarbonate.

**NEMA Type:** Standard 7H x 6V. 5H x 5V and 4H x 4V available for 26, 39, 52 and 80W models.

**Mounting:** Heavy-duty mounting arm with "O" ring seal & stainless steel screws. Trunnion and slipfitter mounts also available for 26, 39, 52 and 80W models.

**Gaskets:** High-temperature silicone gaskets

**Finish:** Our environmentally friendly polyester powder coatings are formulated for high-durability and long-lasting color, and contain no VOC or toxic heavy metals.

**Color Stability:** LED color temperature warranted not to shift more than 200K in CCT in 5 years

**Color Uniformity:** RAB's range of CCT (Correlated Color Temperature) follows the guidelines of the American National Standard for Specifications for the Chromaticity of Solid State Lighting (SSL) Products, ANSI C78.377-2015.

**Green Technology:** Mercury and UV free, and RoHS compliant. Polyester powder coat finish formulated without the use of VOC or toxic heavy metals.

**IESNA LM-79 & LM-80 Testing:** RAB LED luminaires have been tested in accordance with IESNA LM-79 and LM-80, and have received the Department of Energy "Lighting Facts" label.

**California Title 24:** FFLED18 and FFLED26 equipped with a photocell comply with 2013 California Title 24 building and electrical codes as commercial outdoor non-pole-mounted fixtures <30 Watts. FFLED39, FFLED52 and FFLED80 equipped with a 0-10V driver comply with 2013 California Title 24 building and electrical codes as commercial outdoor non-pole-mounted fixtures >30 Watts mounted up to 24 feet when used with the RAB Stealth Dimmer. Use catalog code STLDM10 to order a Stealth Dimmer module.

\* Values shown for 7H x 6V NEMA Type only. Visit [rabweb.com](http://rabweb.com) for 5H x 5V and 4H x 4V performance.

## Ordering information

Product Family	Wattage	Color Temp	Finish	Driver	Emergency Options	Photocell Options	Suffix
FFLED	18						
	18 18W	<b>Blank</b> 5000K <b>N</b> 4000K <b>Y</b> 3000K	<b>Blank</b> Bronze <b>W</b> White	<b>Blank</b> 120-277Vac 0-10V Dimming	<b>Blank</b> No option <b>/E*</b> Emergency Battery 120-277 Vac Only <b>/EC*</b> Low Temp Emergency Battery available 120-277 Vac only	<b>Blank</b> No option <b>/PCU</b> 120-277Vac Button Photocell <b>/PCS</b> 120 Vac Swivel Photocell <b>/PCS2</b> 277Vac Swivel Photocell <b>/MS**</b> Mini Sensor SMS500 <b>/STL3**</b> Stealth 360° Sensor	<b>Blank</b> No option <b>USA</b> BAA Compliant

Product Family	Wattage	Mounting	Color Temp	NEMA Type	Finish	Driver Options	Photocell Options
FFLED							
	26 26W 39 39W 52 52W 80 80W	<b>Blank</b> Swivel arm <b>SF</b> Slipfitter <b>T</b> Trunnion	<b>Blank</b> 5000K <b>N</b> 4000K <b>Y</b> 3000K	<b>Blank</b> 7H x 6V <b>B55</b> 5H x 5V <b>B44</b> 4H x 4V	<b>Blank</b> Bronze <b>W</b> White	<b>Blank</b> On/Off <b>/D10</b> 0-10V Dimming <b>/480</b> 480V On/Off *	<b>Blank</b> No Option <b>/PC</b> 120V Photocell <b>/PC2</b> 277V Photocell <b>/PCS</b> 120V Swivel Photocell <b>/PCS2</b> 277V Swivel Photocell* <b>/PCS4</b> 480V Swivel Photocell

\*Available for 18W only.

\*\*Available for 18W only. Includes mounting plate CU4x CU4A = Bronze, CU4W = White