



Project:	Type:
Prepared By:	Date:

Performance Per Foot			
	3500K	3000K	2700K
Input Watts	3	3	3
Lumens	304	284	273
Lumens Per Watt	102	96	93
CRI	84	86	85

One-for-one replacement for fluorescent cove and indirect lighting systems

Technical Specifications

UL Listing:
Suitable for dry, damp and wet locations

IP65 Rating:
Dust tight and protection against water spray

LEDs:
Long-life, high-efficacy, surface-mount LEDs

Lifespan:
50,000-hour LED lifespan based on IES LM-80 results and TM-21 calculations

Dimming Driver:
Compatible with ELV and TRIAC dimming at 120V

Ambient Temperature:
Suitable for use in up to 50°C (122°F) ambient temperatures

Cold Weather Starting:
The minimum starting temperature is -30°C (-22°F)

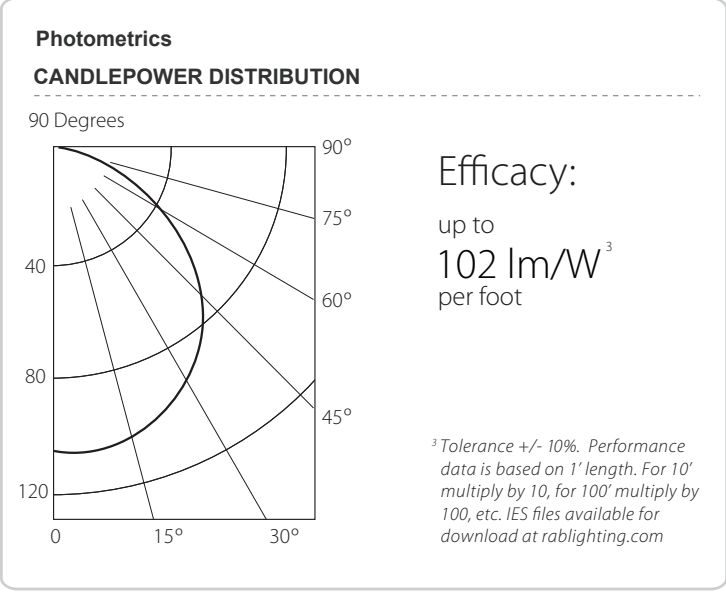
Mounting:
U-mount channel or U-clip accessories

Color Stability:
LED color temperature warrantied not to shift more than 200K in CCT in 5 years

Color Uniformity:
RAB's range of CCT (Correlated Color Temperature) follows the guidelines of the American National Standard for Specifications for the Chromaticity of Solid State Lighting (SSL) Products, ANSI C78.377-2017

Green Technology:
Mercury and UV-free. RoHS-compliant components.

IESNA LM-79 & LM-80 Testing:
RAB LED luminaires have been tested by an independent laboratory in accordance with IESNA LM-79 and LM-80. IES files available for download at rablighting.com



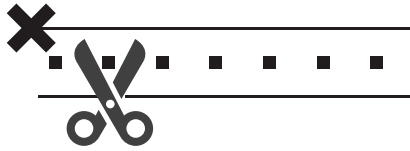
Features & Benefits

- For indoor and outdoor use
- Secure in place with clear u-mount channels¹ or u-clips, or change locations and simply plug into another power outlet
- Flexible and customizable, FLEXICOVE is offered in almost any length² and designed to follow straight lines or curves
- Flexible cove operates directly off of line voltage
- Ambient temperature rating of up to 50°C (122°F) allows for stable operation in tight spaces with limited airflow
- Driverless technology, uniform illumination end to end
- Architectural-grade light quality
- 3-step binning ensures consistent color, and tight LED spacing provides excellent spatial uniformity

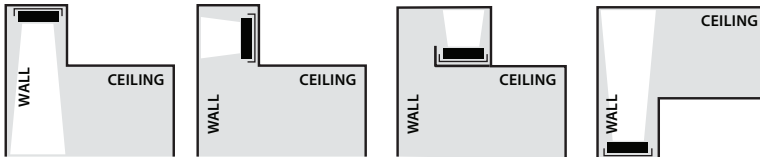
¹ 48" and 96" channels available.
² Lengths from 4" to 140', in increments of 4"

WARNING: DO NOT CUT

Field cutting will result in product damage and void your warranty. Please note that it may also cause injury.

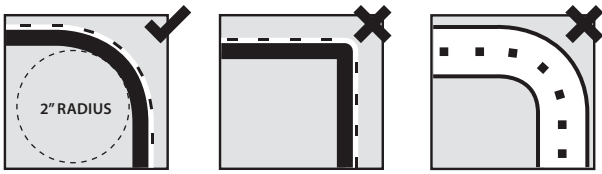


Mounting Positions



It is recommended that the LED fixtures be installed into a minimum space of 3" x 3" (76mm x 76mm).

Bending

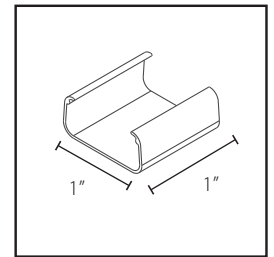
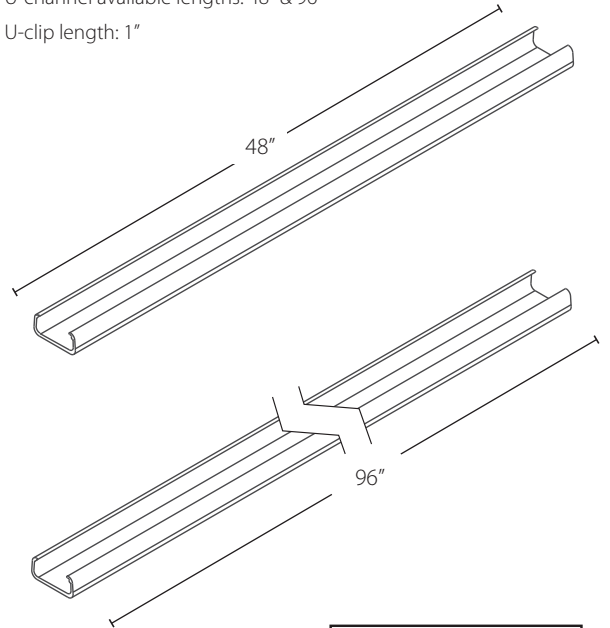


Bend FLEXICOVE at a minimum 2" radius, never by 90°. Do not bend on a horizontal plane.

Mounting Accessories

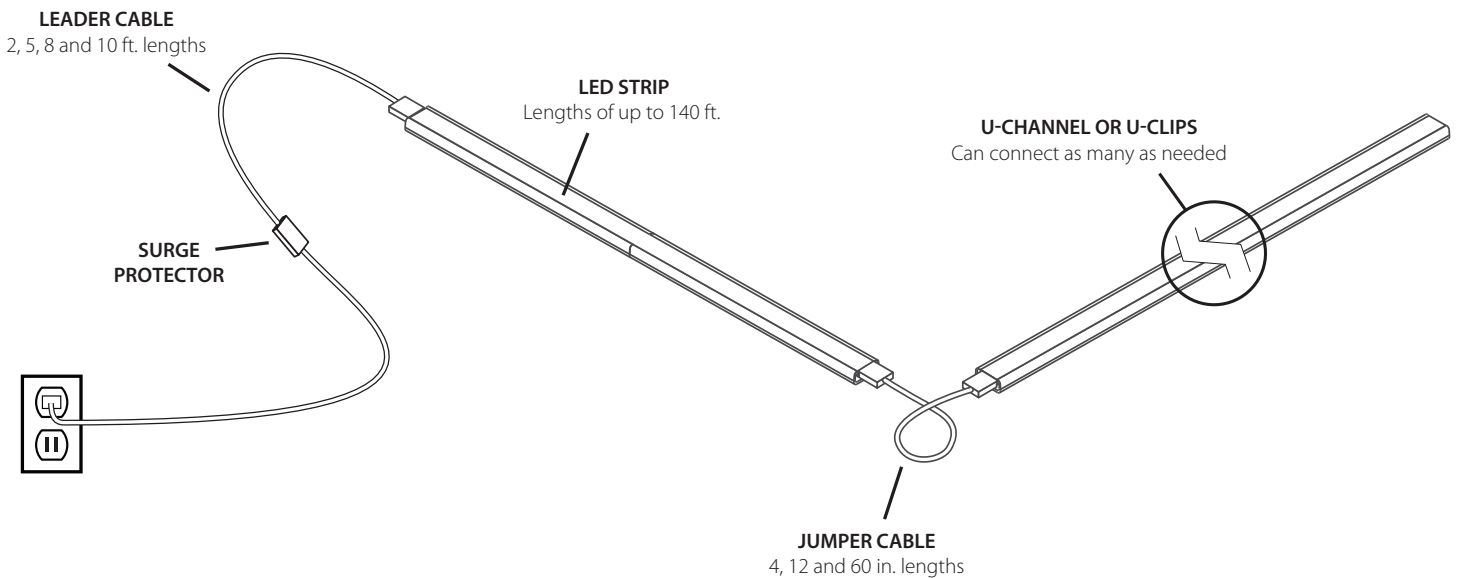
U-channel available lengths: 48" & 96"

U-clip length: 1"



Factory Customizable

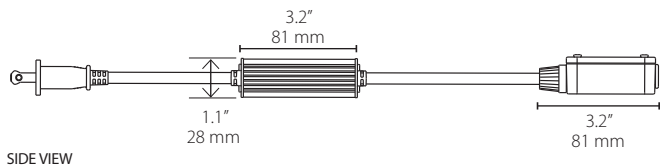
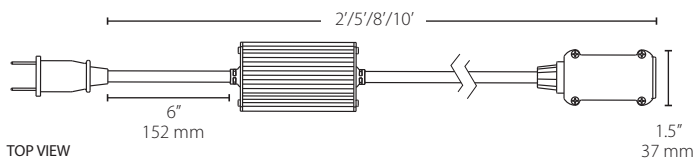
Our factory can configure Flexicove for you in nearly an infinite number of ways.



Dimensions Termination and Connections

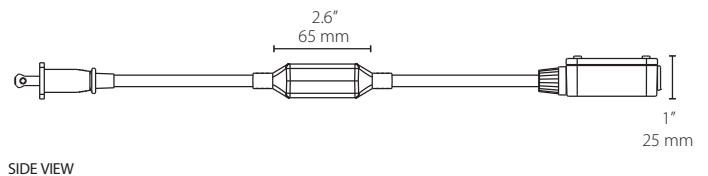
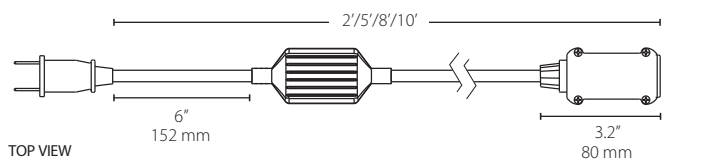
LEADER CABLE (METAL): for illuminated length 75' - 140'

Available lengths: 2', 5', 8', 10'



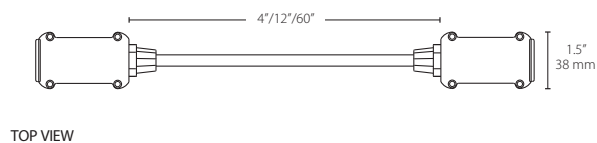
LEADER CABLE (PVC): for illuminated length up to 75'

Available lengths: 2', 5', 8', 10'



JUMPER CABLE

Available lengths: 4", 12", 60"



To order FLEXICOVE

Please contact customer service at sales@rablighting.com or call (888) 722 1000.
Or use the FLEXICOVE Configurator on our website at rablighting.com/feature/flexicove.

