



Visit rablighting.com to see which models are DLC or DLC Premium listed.

Economy that doesn't sacrifice quality.

The LED wrap that replaces fluorescent fixtures.

GUS[®]

RAB[®] | Indoor

RABLIGHTING.COM • 888 722-1000

GUS[®]

- Energy-efficient, maintenance-free LED wrap fixture
- Available in 2 sizes and 4 power packages: 18, 25, 36 and 50W:
18W replaces up to (1) F32T8, 25W equivalent to (1) F32T8,
36W equivalent to (2) F32T8, 50W replaces up to (3) F32T8
- Multiple mounting options: surface, pendant or chain
- High-reflectance white finish for optimal output
- Diffusion wrap-around lens for smooth light distribution
- 0-10V dimming standard
- 100,000-Hour LED lifespan



RAB's warranty is subject to all terms and conditions found at rablighting.com/warranty



Visit rablighting.com to see which models are DLC or DLC Premium listed.



High-reflectance finish and white diffusion lens softens light and reduces glare, unlike traditional prismatic lenses.



Standard junction box mount, as well as pendant, v-hooks, etc. (*chains, pendants or hooks by others*)



Molded end cap with smooth edges and rounded corners for safe handling & a refined look.



Joiner bracket accessory for side entry or continuous-run mounting.

GUS® Specifications

UL Listing: Suitable for damp locations

LEDs: Long-life, high-efficiency, surface-mount LEDs

Lifespan: 100,000-hour LED lifespan based on IES LM80-15 test results and TM21-11 calculations

Drivers:

18W: Constant current, Class 2, 100 - 277V, 50/60 Hz, 120V: 0.15A, 208V: 0.09A, 240V: 0.08A, 277V: 0.07A, 4kV surge protection

25W: Constant current, Class 2, 100 - 277V, 50/60 Hz, 120V: 0.21A, 208V: 0.14A, 240V: 0.12A, 277V: 0.11A, 4kV surge protection

36W: Constant current, Class 2, 120-277V, 50/60 Hz, 120V: 0.30A, 208V: 0.18A, 240V: 0.15A, 277V: 0.13A, 2kV surge protection

50W: Constant current, Class 2, 120-277V, 50/60 Hz, 120V: 0.38A, 208V: 0.26A, 240V: 0.23A, 277V: 0.17A, 2kV surge protection

Housing: Die-formed 22 gauge, cold-rolled, post-painted steel. Post painting improves durability of the finish and eliminates the sharp edges making handling and installation safer.

Endcap: UV-stabilized thermoplastic. Includes a molded knockout for side conduit entry.

Mounting: Surface mount. Can be mounted with chains or v-hooks by others.

Lens: Acrylic lens with diffusion for enhanced optical performance

Reflector: Aluminum with high-reflectance (91%) powder coat applied post production for a more durable finish

Color Stability: LED color temperature is warranted to shift no more than 200K in CCT over a 5 year period.

Color Uniformity: RAB's range of CCT (Correlated Color Temperature) follows the guidelines of the American National Standard for Specifications for the Chromaticity of Solid State Lighting (SSL) Products, ANSI C78.377-2017.

Green Technology: Mercury and UV free. RoHS-compliant components.

GUS 18W (2 ft)

	5000K	4000K	3500K	3000K
Color Temperature	5000K	4000K	3500K	3000K
Input Watts	19	19	19	19
Output Lumens	2430	2140	1991	2129
Lumens Per Watt	128	112	106	111
Color Accuracy (CRI)	83	84	86	84

GUS 25W (2 ft)

	5000K	4000K	3500K	3000K
Color Temperature	5000K	4000K	3500K	3000K
Input Watts	26	26	26	26
Output Lumens	3066	2757	2517	2666
Lumens Per Watt	118	106	98	104
Color Accuracy (CRI)	83	84	86	84

GUS 36W (4 ft)

	5000K	4000K	3500K	3000K
Color Temperature	5000K	4000K	3500K	3000K
Input Watts	36	37	36	36
Output Lumens	4853	4827	4681	4547
Lumens Per Watt	136	131	131	127
Color Accuracy (CRI)	82	83	83	82

GUS 50W (4 ft)

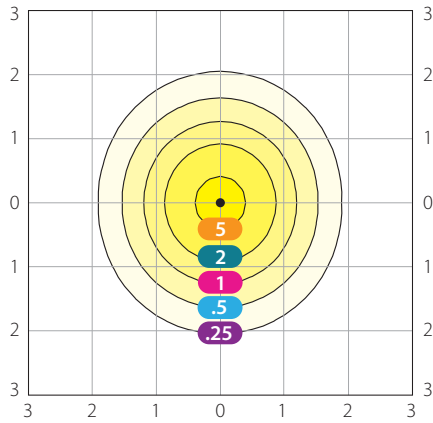
	5000K	4000K	3500K	3000K
Color Temperature	5000K	4000K	3500K	3000K
Input Watts	46	48	46	46
Output Lumens	6166	6378	6131	5801
Lumens Per Watt	135	134	133	127
Color Accuracy (CRI)	82	83	83	82

Photometrics

GUS 18W (2 ft)

10' Mounting Height

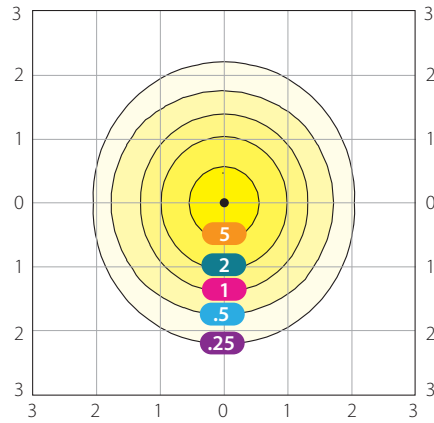
Photometric Report #RAB00746



GUS 25W (2 ft)

10' Mounting Height

Photometric Report #RAB00734



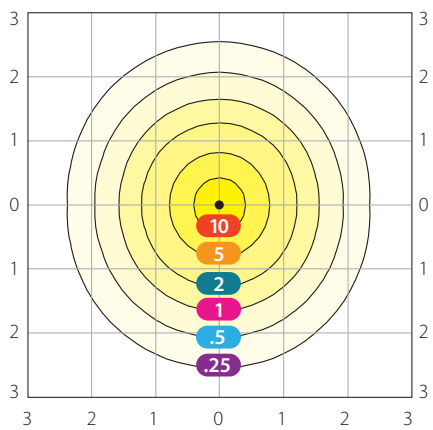
Mounting Height	8	9	10	11	12
Multiplier	1.6	1.2	1.0	0.8	0.7

Grid scales: Multiples of mounting height
Values shown in footcandles

GUS 36W (4 ft)

10' Mounting Height

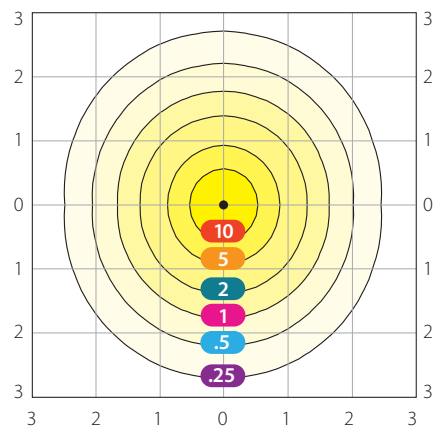
Photometric Report #RAB00905



GUS 50W (4 ft)

10' Mounting Height

Photometric Report #RAB00899



Spacing Criteria

18W and 25W (2 ft)

0° - 180°	90° - 270°	Diagonal
1.22	1.28	1.36

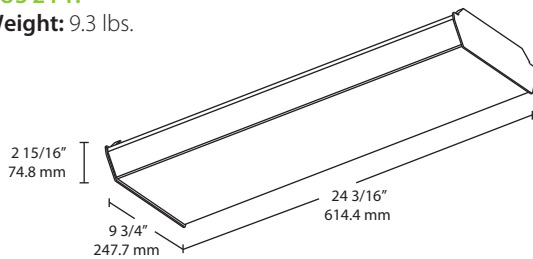
36W and 50W (4 ft)

0° - 180°	90° - 270°	Diagonal
1.20	1.28	1.38

Dimensions & weights

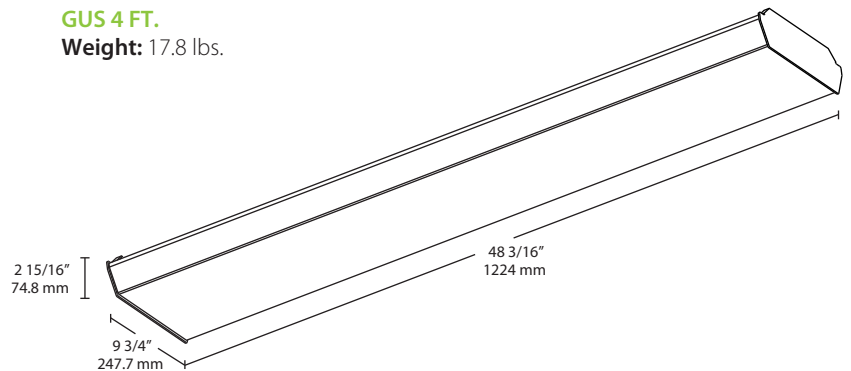
GUS 2 FT.

Weight: 9.3 lbs.



GUS 4 FT.

Weight: 17.8 lbs.



Ordering information

Product Family	Size	Wattage	Color Temp	Finish	Driver Options
GUS	2 2 feet 4 4 feet	18 18W (2 ft) 25 25W (2 ft) 36 36W (4 ft) 50 50W (4 ft)	Blank 5000K N 4000K YN 3500K Y 3000K	W White	/D10 0-10V Dimming /D10/E2 0-10V Dimming with Emergency Battery Backup

Accessories

GUS JCAP
Joiner bracket

