

Designed to roll with the changes.



Affordability and versatility make

HALITE™

the modular downlight that adapts to you.

RAB Indoor

HALITE™



Modular is putting it mildly.

HALITE was designed to be both easily customized and easily modified. Optics and trims assemble without tools, so you can swap them out at any time—even after installation.

Put the light where you want it.

Quick-release design allows for quick, simple optics changes. Choose between a Solite™ micro prism lens (for increased light transmittance and maximum glare control) or a frosted lens (for smooth, evenly diffused illumination).

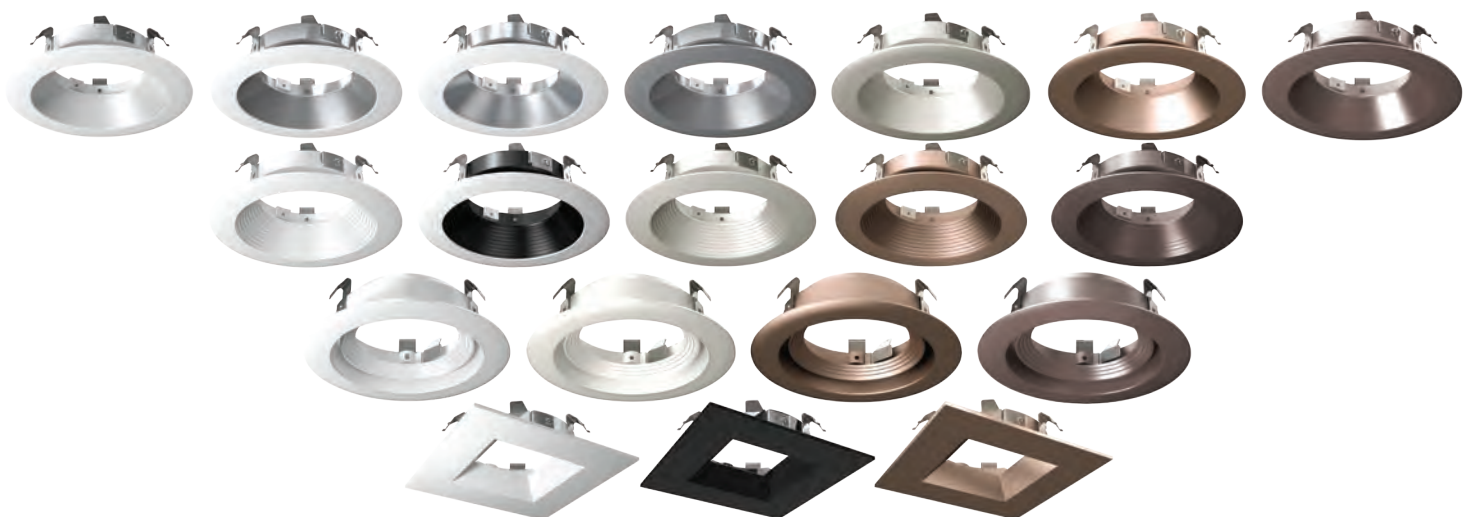
Easy installation.

LED quick-connect, snap-in module. Easy, twist-and-lock trim assembly.



Upgrade without breaking the bank.

Both basic and high-end trims available. Choose from standard white, Alzak anodized aluminum, and luxurious electroplated finishes.

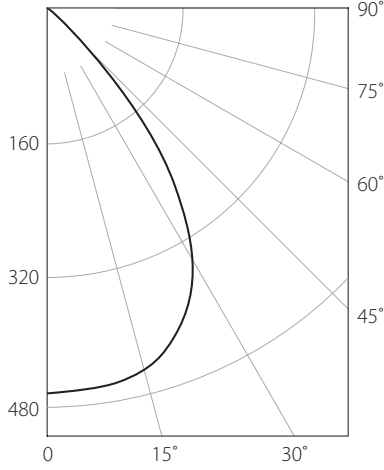


*Square trim available only for 4"

Photometrics - 8W

RDCAN4R/NDCAN4R+HALED8-80FRYHC+HATRIM4RD-W 8W - 80° Frosted Optics - 4" White Downlight Trim - 3000K - 90 CRI
 Photometric report #RAB035482

candlepower distribution



Efficacy: 85 lm/W

cone of light

| Mounting Height (ft) | FC | Beam Diameter (ft) |
|----------------------|-------|--------------------|
| 2.0 | 113.5 | 2.4 |
| 4.0 | 28.4 | 4.8 |
| 6.0 | 12.6 | 7.2 |
| 8.0 | 7.1 | 9.6 |
| 10.0 | 4.5 | 12.0 |
| 12.0 | 3.2 | 14.4 |

(diameter shown is where fc value is half the fc at nadir)

Spacing Criteria 1.2

candela distribution

| vertical deg. | candelas |
|---------------|----------|
| 0 | 454 |
| 5 | 456 |
| 15 | 467 |
| 25 | 422 |
| 35 | 304 |
| 45 | 131 |
| 55 | 36 |
| 65 | 24 |
| 75 | 9 |
| 85 | 2 |
| 90 | 0 |

zonal lumen summary

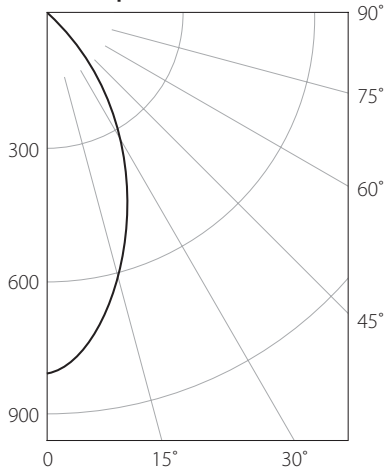
| zone | lumens | % fix. |
|--------|--------|--------|
| 0-30 | 368 | 50.9 |
| 0-40 | 552 | 76.4 |
| 0-60 | 687 | 95.0 |
| 0-90 | 723 | 100.0 |
| 90-180 | 0 | 0.0 |
| 0-180 | 723 | 100.0 |

luminance (candela/m²)

| angle | avg. luminance |
|-------|----------------|
| 45 | 22,451 |
| 55 | 7,517 |
| 65 | 6,724 |
| 75 | 4,165 |
| 85 | 2,249 |

RDCAN4R/NDCAN4R+HALED8-50FRYHC+HATRIM4RD-W 8W - 50° Frosted Optics - 4" White Downlight Trim - 3000K - 90 CRI
 Photometric report #RAB03569

candlepower distribution



Efficacy: 84 lm/W

cone of light

| Mounting Height (ft) | FC | Beam Diameter (ft) |
|----------------------|-------|--------------------|
| 2.0 | 208.2 | 1.4 |
| 4.0 | 52.0 | 2.9 |
| 6.0 | 23.1 | 4.3 |
| 8.0 | 13.0 | 5.8 |
| 10.0 | 8.3 | 7.2 |
| 12.0 | 5.8 | 8.7 |

(diameter shown is where fc value is half the fc at nadir)

Spacing Criteria 0.7

candela distribution

| vertical deg. | candelas |
|---------------|----------|
| 0 | 833 |
| 5 | 808 |
| 15 | 623 |
| 25 | 392 |
| 35 | 234 |
| 45 | 117 |
| 55 | 24 |
| 65 | 16 |
| 75 | 8 |
| 85 | 2 |
| 90 | 0 |

zonal lumen summary

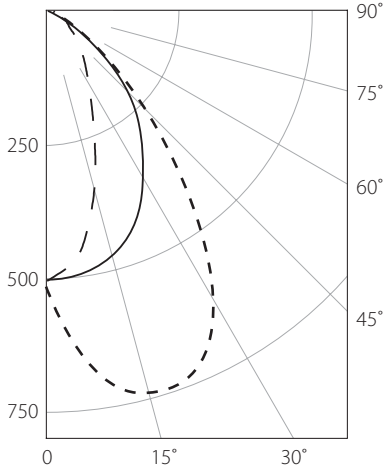
| zone | lumens | % fix. |
|--------|--------|--------|
| 0-30 | 426 | 59.7 |
| 0-40 | 573 | 80.3 |
| 0-60 | 686 | 96.2 |
| 0-90 | 713 | 100.0 |
| 90-180 | 0 | 0.0 |
| 0-180 | 713 | 100.0 |

luminance (candela/m²)

| angle | avg. luminance |
|-------|----------------|
| 45 | 19,957 |
| 55 | 5,126 |
| 65 | 4,638 |
| 75 | 3,786 |
| 85 | 2,249 |

RDCAN4R/NDCAN4R+HALED8-WWYHC+HATRIM4RWW-W 8W - Wall Washer - 4" White Trim - 3000K - 90 CRI
 Photometric report #RAB03519

candlepower distribution



zonal lumen summary

| zone | lumens | % fix. |
|--------|--------|--------|
| 0-30 | 352 | 50.3 |
| 0-40 | 489 | 70.0 |
| 0-60 | 617 | 88.4 |
| 0-90 | 699 | 100.0 |
| 90-180 | 0 | 0.0 |
| 0-180 | 699 | 100.0 |

legend

| | |
|------|-----------|
| 0° | ----- |
| 90° | _____ |
| 180° | - - - - - |

multiple units (footcandles on the walls)

| | 2' from wall / 3' on center | | | | 3' from wall / 3' on center | | | | 3' from wall / 4' on center | | | |
|-----------------------------|-----------------------------|---|---|---|-----------------------------|---|---|---|-----------------------------|---|---|---|
| Distance from ceiling (ft.) | 1 | 1 | 1 | 2 | 1 | 5 | 5 | 5 | 1 | 1 | 3 | 2 |
| | 2 | 4 | 3 | 4 | 2 | 6 | 6 | 6 | 2 | 5 | 5 | 5 |
| | 3 | 6 | 6 | 6 | 3 | 6 | 6 | 7 | 3 | 5 | 5 | 5 |
| | 4 | 6 | 6 | 6 | 4 | 6 | 6 | 7 | 4 | 5 | 5 | 5 |
| | 5 | 6 | 5 | 5 | 5 | 7 | 7 | 7 | 5 | 5 | 5 | 5 |
| | 6 | 5 | 5 | 5 | 6 | 7 | 7 | 7 | 6 | 5 | 5 | 5 |
| | 7 | 4 | 4 | 4 | 7 | 6 | 5 | 6 | 7 | 4 | 4 | 4 |
| | 8 | 3 | 4 | 4 | 8 | 5 | 5 | 6 | 8 | 4 | 4 | 4 |
| | 9 | 3 | 3 | 3 | 9 | 4 | 4 | 5 | 9 | 4 | 4 | 4 |

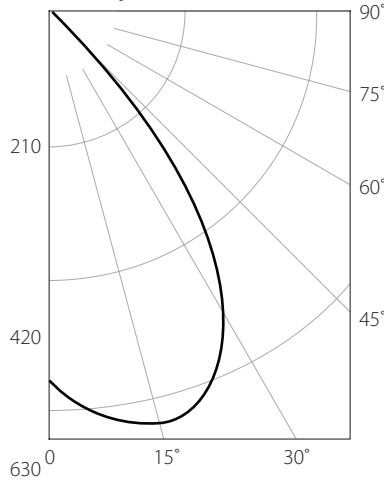
Spacing Criteria: 0° - 1.2 90° - 1.0 180° - 0.6

Efficacy: 81 lm/W

Photometrics - 12W

RDCAN6R/NDCAN6R+HALED12-80FRYHC+HATRIM6RD-W 12W - 80° Frosted Optics - 6" White Downlight Trim - 3000K - 90 CRI
 Photometric report #RAB03620

candlepower distribution



Efficacy: 73 lm/W

cone of light

| Mounting Height (ft) | FC | Beam Diameter (ft) |
|----------------------|-------|--------------------|
| 2.0 | 143.9 | 2.4 |
| 4.0 | 36.0 | 4.9 |
| 6.0 | 16.0 | 7.3 |
| 8.0 | 9.0 | 9.8 |
| 10.0 | 5.8 | 12.2 |
| 12.0 | 4.0 | 14.7 |

(diameter shown is where fc value is half the fc at nadir)

Spacing Criteria 1.2

candela distribution

| vertical deg. | candelas |
|---------------|----------|
| 0 | 575 |
| 5 | 586 |
| 15 | 647 |
| 25 | 575 |
| 35 | 395 |
| 45 | 155 |
| 55 | 40 |
| 65 | 17 |
| 75 | 4 |
| 85 | 1 |
| 90 | 0 |

zonal lumen summary

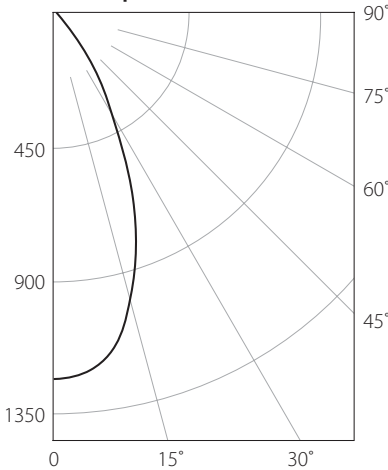
| zone | lumens | % fix. |
|--------|--------|--------|
| 0-30 | 501 | 53.8 |
| 0-40 | 745 | 80.0 |
| 0-60 | 908 | 97.5 |
| 0-90 | 931 | 100.0 |
| 90-180 | 0 | 0.0 |
| 0-180 | 931 | 100.0 |

luminance (candela/m²)

| angle | avg. luminance |
|-------|----------------|
| 45 | 13,482 |
| 55 | 4,241 |
| 65 | 2,489 |
| 75 | 1,016 |
| 85 | 754 |

RDCAN6R/NDCAN6R+HALED12-50FRYHC+HATRIM6RD-W 12W - 50° Frosted Optics - 6" White Downlight Trim - 3000K - 90 CRI
 Photometric report #RAB03598

candlepower distribution



Efficacy: 73 lm/W

cone of light

| Mounting Height (ft) | FC | Beam Diameter (ft) |
|----------------------|-------|--------------------|
| 2.0 | 305.5 | 1.3 |
| 4.0 | 76.4 | 2.6 |
| 6.0 | 33.9 | 3.9 |
| 8.0 | 19.1 | 5.3 |
| 10.0 | 12.2 | 6.6 |
| 12.0 | 8.5 | 7.9 |

(diameter shown is where fc value is half the fc at nadir)

Spacing Criteria 0.7

candela distribution

| vertical deg. | candelas |
|---------------|----------|
| 0 | 1,222 |
| 5 | 1,173 |
| 15 | 838 |
| 25 | 508 |
| 35 | 330 |
| 45 | 132 |
| 55 | 27 |
| 65 | 13 |
| 75 | 3 |
| 85 | 1 |
| 90 | 0 |

zonal lumen summary

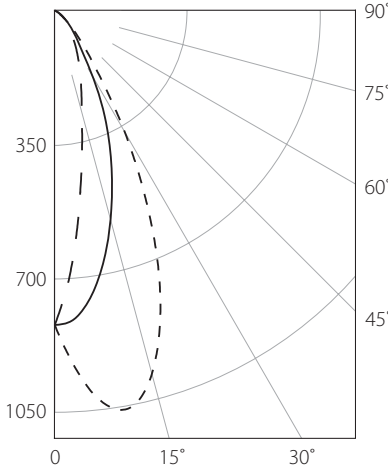
| zone | lumens | % fix. |
|--------|--------|--------|
| 0-30 | 576 | 61.9 |
| 0-40 | 781 | 83.9 |
| 0-60 | 913 | 98.1 |
| 0-90 | 931 | 100.0 |
| 90-180 | 0 | 0.0 |
| 0-180 | 931 | 100.0 |

luminance (candela/m²)

| angle | avg. luminance |
|-------|----------------|
| 45 | 11,527 |
| 55 | 2,865 |
| 65 | 1,866 |
| 75 | 762 |
| 85 | 754 |

RDCAN6R/NDCAN6R+HALED12-WWYHC+HATRIM6RWW-W 12W - Wall Washer - 6" White Trim - 3000K - 90CRI
 Photometric report # RAB03682

candlepower distribution



zonal lumen summary

| zone | lumens | % fix. |
|--------|--------|--------|
| 0-30 | 421 | 48.3 |
| 0-40 | 607 | 69.8 |
| 0-60 | 785 | 90.2 |
| 0-90 | 870 | 100.0 |
| 90-180 | 0 | 0.0 |
| 0-180 | 870 | 100.0 |

legend

| | |
|------|-----------|
| 0° | ----- |
| 90° | ————— |
| 180° | - - - - - |

multiple units (footcandles on the walls)

| | 2' from wall / 3' on center | | | | 3' from wall / 3' on center | | | | 3' from wall / 4' on center | | | |
|-----------------------------|-----------------------------|----|----|----|-----------------------------|----|---|---|-----------------------------|---|---|---|
| Distance from ceiling (ft.) | 1 | 9 | 8 | 10 | 1 | 5 | 5 | 5 | 1 | 1 | 1 | 1 |
| 2 | 14 | 12 | 14 | 8 | 8 | 9 | 6 | 5 | 5 | | | |
| 3 | 15 | 14 | 15 | 9 | 9 | 10 | 7 | 7 | 7 | | | |
| 4 | 13 | 14 | 15 | 9 | 10 | 10 | 8 | 7 | 7 | | | |
| 5 | 11 | 11 | 11 | 9 | 9 | 10 | 7 | 7 | 7 | | | |
| 6 | 9 | 9 | 9 | 9 | 9 | 10 | 7 | 7 | 7 | | | |
| 7 | 7 | 7 | 7 | 7 | 7 | 8 | 6 | 6 | 6 | | | |
| 8 | 5 | 6 | 6 | 7 | 7 | 8 | 6 | 6 | 6 | | | |
| 9 | 4 | 5 | 5 | 5 | 6 | 6 | 4 | 4 | 4 | | | |

Spacing Criteria: 0° - 1.3 90° - 1.1 180° - 0.4

Efficacy: 68 lm/W

Specifications

UL Listing: Suitable for wet locations in a covered ceiling

IC Rating: Suitable for direct contact with insulation

LED : High-output, long-life LED with 3-step binning and integrated driver technology

Lumen Maintenance: 50,000-hour LED lifespan based on IES LM-80 results and TM-21 calculations

Driver: Constant Current, Class 2, 50/60Hz, 120-277V; 4kV surge protection,

8W: 0.11A @ 120, 0.05A @ 208V, 0.041A @ 240V and 0.04A @ 277V

12W: 0.18A @ 120, 0.07A @ 208V, 0.06A @ 240V and 0.05A @ 277V

Dimming: TRIAC and ELV dimming compatibility (120V only)

Color Consistency: 3-step MacAdam Ellipse binning to achieve consistent fixture-to-fixture color

Housing: Die-cast aluminum construction

Lens: Standard, frosted lens for smooth, evenly diffused illumination. Solite™ micro prism lens for increased light transmittance and maximum glare control.

Reflector Trims: Standard white, Alzak anodized aluminum, and luxurious electroplated finishes available

Installation: Easy, toolless, snap-in LED module, optical lens, and trims

New Construction: Nailer bars are provided for use with wood joist installations

Remodeler: Mounting spring clips for use with 5/8" to 1" sheet rock ceilings

Adjustable range: 20° vertical adjustment for 4", 30° vertical adjustment for 6"

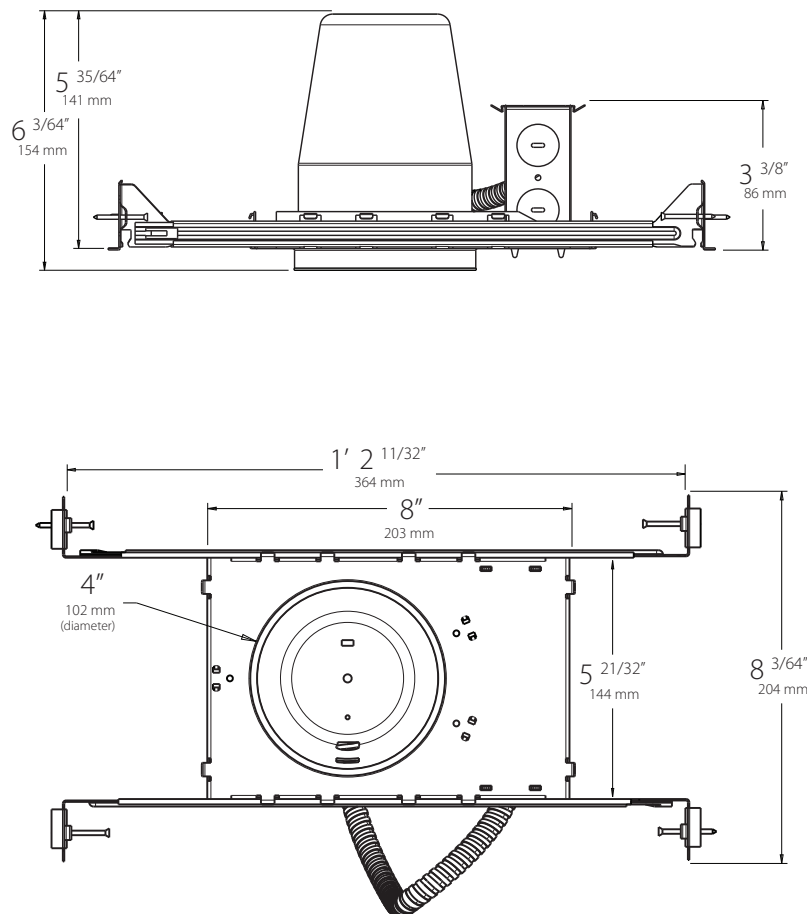
Dimmer Compatibility List

| BRAND | MODEL | 12W DIMMING % | 8W DIMMING % |
|----------------|-------------------|------------------|-----------------|
| Leviton | Decora 6631-P | <5% | <1% |
| Leviton | Decora IPL06-10Z | <10% | <10% |
| Leviton | Decora 6674-P | <10% | <10% |
| Leviton | 35A00-1 | <10% | <10% |
| Leviton | Skylark CTCL-153P | <10% | <10% |
| Lutron | Skylark S-600P | <1% | <1% |
| Lutron | Skylark-SLV-600P | <10% | <5% |
| Lutron | Diva DV-603P | <5% | <1% |
| Lutron | Diva CL-DVCL-153P | <5% | <5% |
| Lutron | Diva DVELV-600P | <10% | <5% |
| Lutron | Diva DV-600P-WH | <1% | <5% |
| Lutron | Radio RA2-RRD-6D | <5% | <5% |
| Lutron | RRD-6NA-WH | <5% | <5% |
| Lutron | RRD-6D-WH | <5% | <5% |
| Lutron | Maestro-MRF2-6ND | <5% | <5% |
| Pass & Seymour | D703-PW | <5% | <1% |
| Cooper | AAL06P-C1 | <10% | <5% |
| Cooper | SALO6P-W | <10% | <10% |

Dimensions & Weights

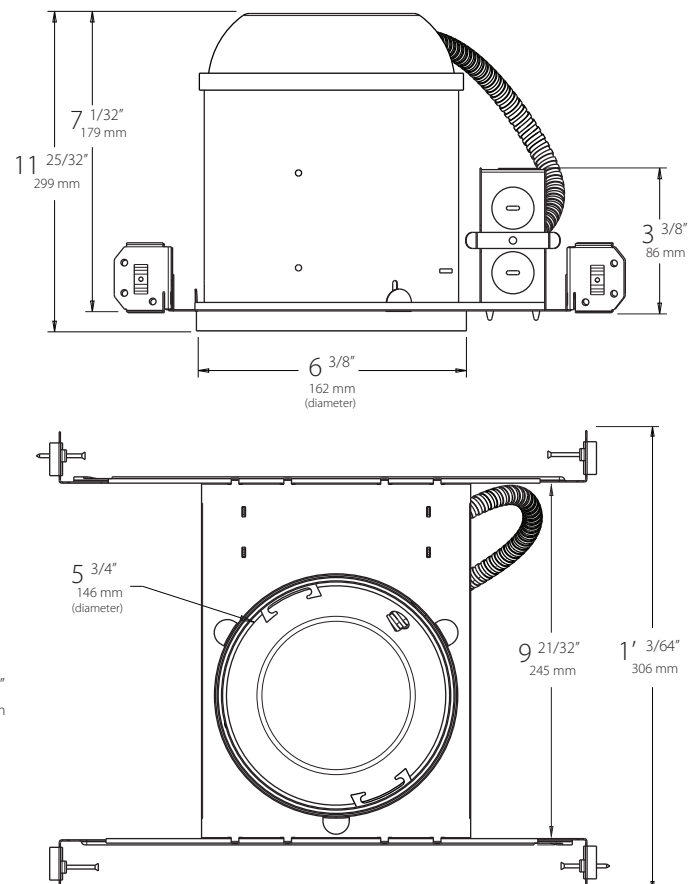
NEW CONSTRUCTION HOUSING, 4"

Weight: 1.9 lbs



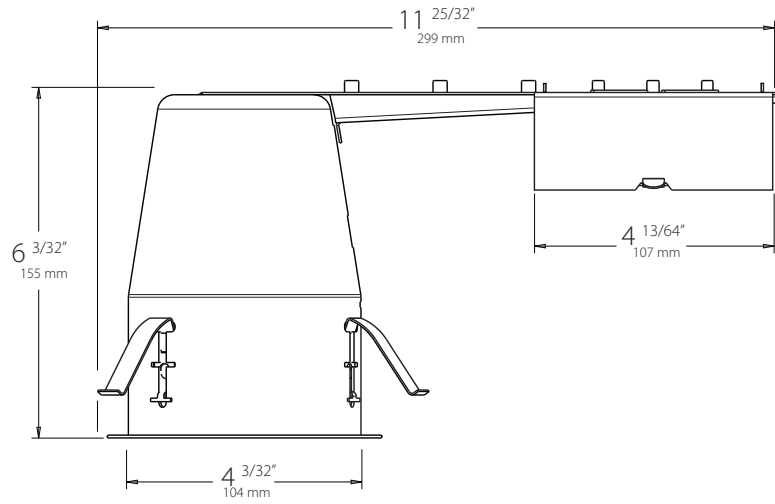
NEW CONSTRUCTION HOUSING, 6"

Weight: 2.4 lbs



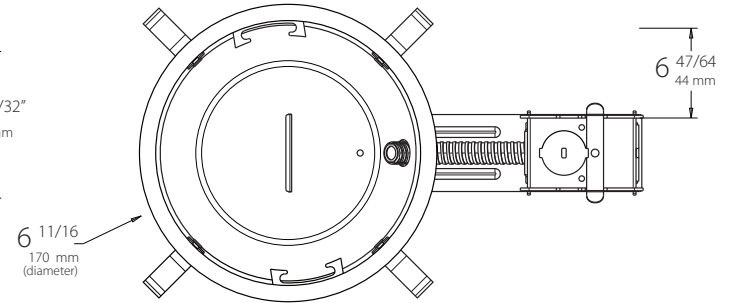
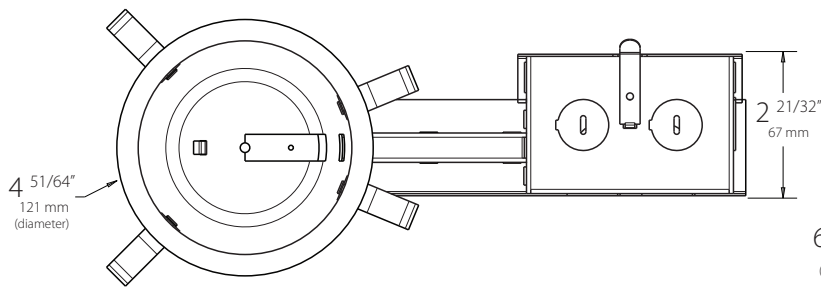
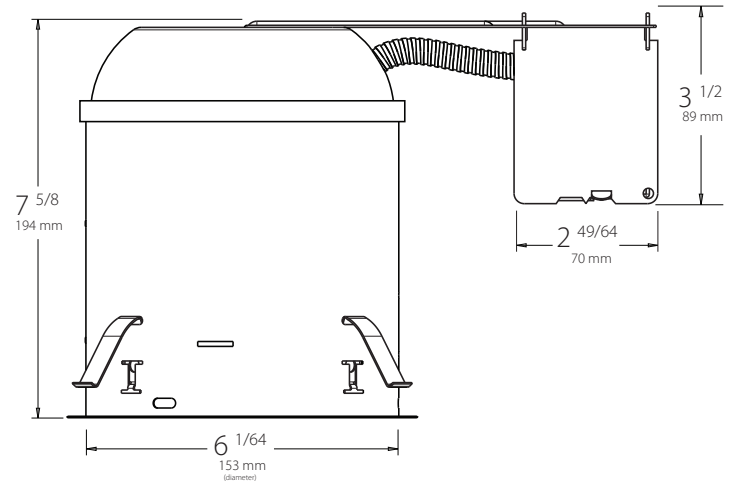
REMODELER HOUSING, 4"

Weight: 1.2 lbs



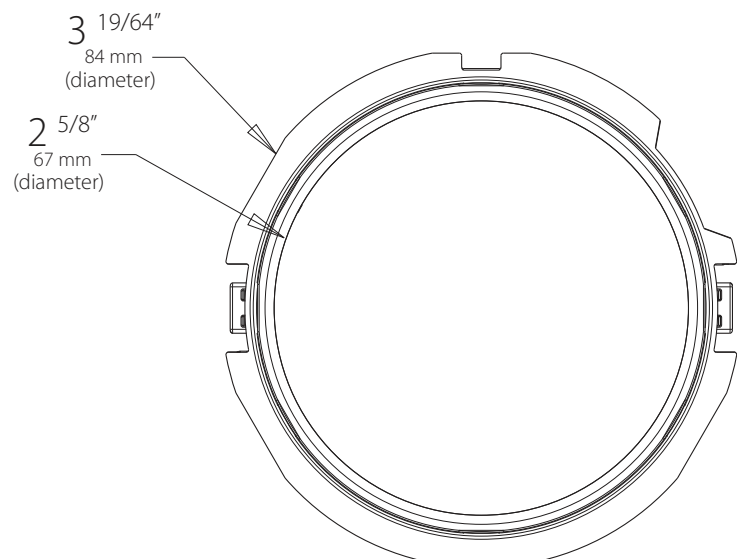
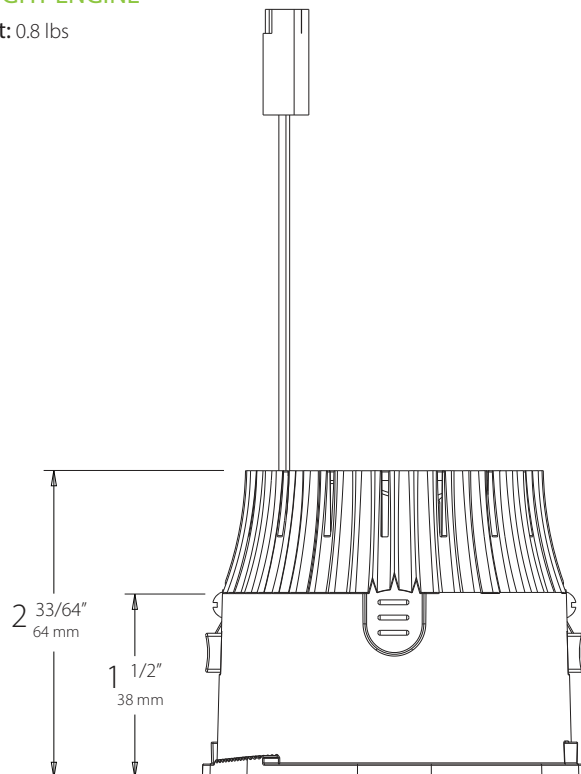
REMODELER HOUSING, 6"

Weight: 1.4 lbs



LED LIGHT ENGINE

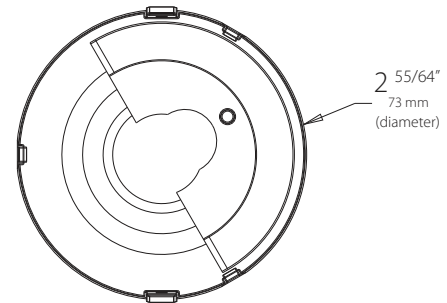
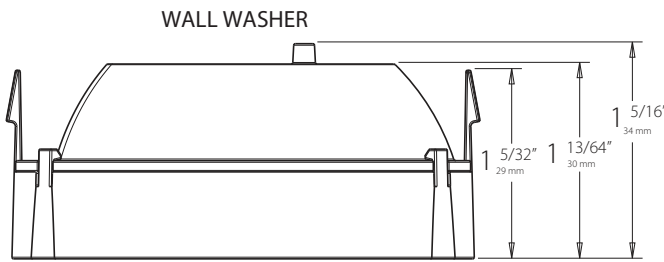
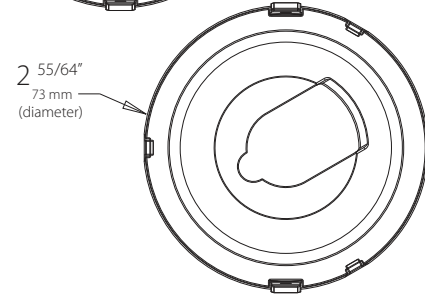
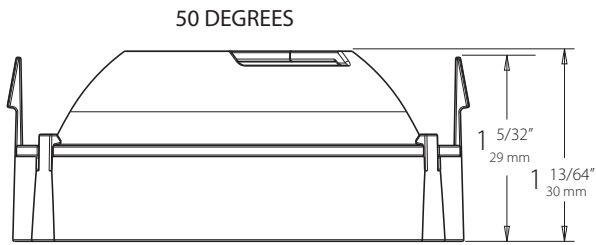
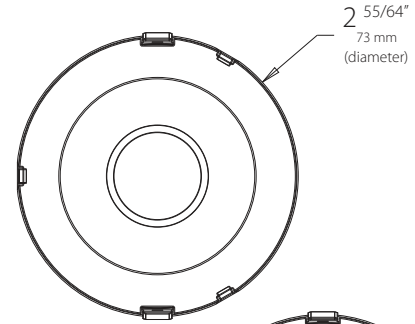
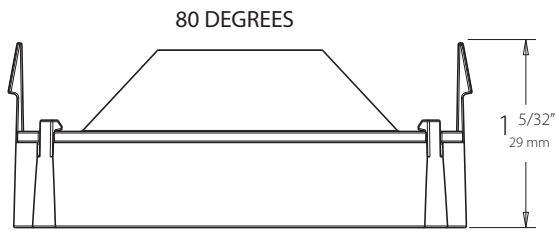
Weight: 0.8 lbs



OPTIC ACCESSORIES

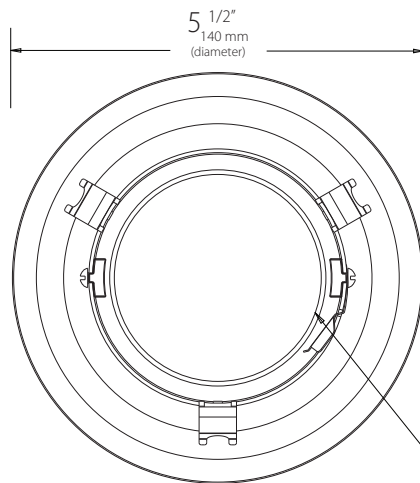
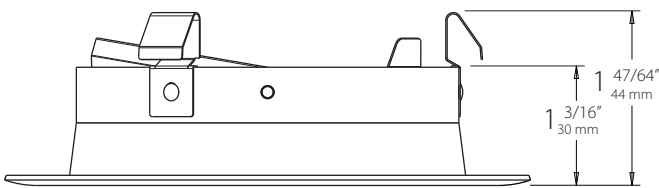
Frosted 50°, 80° & wall wash. Solite™ Micro Prism Lenses available in 50° & 80° optics

Weight: 0.2 lbs



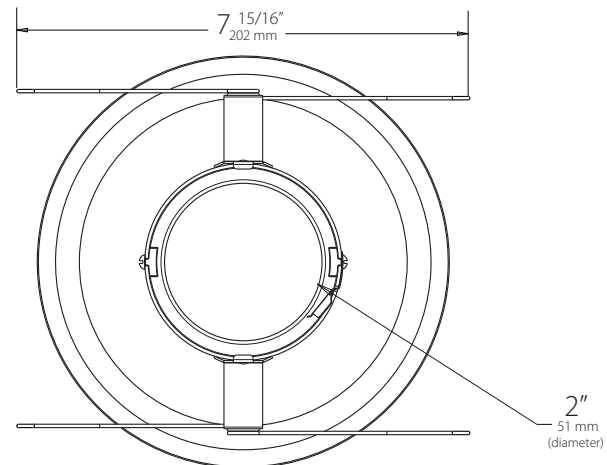
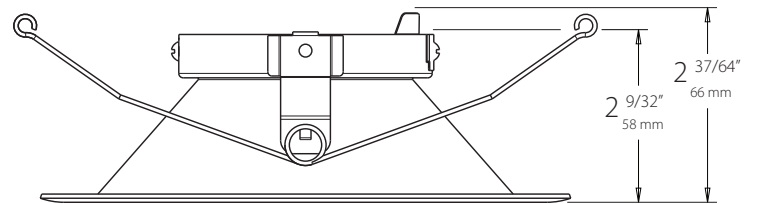
DOWNLIGHT TRIM, 4"

Weight: 0.6 lbs



DOWNLIGHT TRIM, 6"

Weight: 0.93 lbs



Ordering Matrix

Choose housing, module and trim. Light engine comes with factory-installed 80° frosted lens. Solite micro prism lens in 50° and 80° are available and sold separately.



HALITE CAN

| Product Family | | Size | | Shape |
|----------------------|---------------------------|----------------------|----|--------------------------------|
| <input type="text"/> | | <input type="text"/> | | <input type="text" value="R"/> |
| NDCANIC | New Construction Rough-In | 4 | 4" | R Round |
| RDCANIC | Remodeler Can | 6 | 6" | |



LED LIGHT ENGINE

| Product Family | Wattage | Optics | Color Temp | CRI |
|------------------------------------|----------------------|-----------------------------------|----------------------|----------------------------------|
| <input type="text" value="HALED"/> | <input type="text"/> | <input type="text" value="80FR"/> | <input type="text"/> | <input type="text"/> |
| 8 | 8W | 80FR 80° Frosted Lens | N 4000K | Blank 80 CRI ² |
| 12 | 12W ³ | | YN 3500K | HC 90 CRI |
| | | | Y 3000K | |
| | | | YY 2700K | |



OPTIC ACCESSORIES

| Product Family | Wattage | Lens |
|---------------------------------|----------------------|---|
| <input type="text" value="HA"/> | <input type="text"/> | <input type="text"/> |
| 50 | 50° Beam | Blank Solite™ Microprism Lens ¹ |
| 80 | 80° Beam | FR Frosted Lens |
| WW | Wall Washer | |



TRIMS

| Product Family | Size | Shape | Optics | Color |
|-------------------------------------|----------------------|------------------------------|----------------------------|--|
| <input type="text" value="HATRIM"/> | <input type="text"/> | <input type="text"/> | <input type="text"/> | <input type="text"/> |
| 4 | 4" | R Round | D Downlight | W White |
| 6 | 6" | | WW Wall Washer | MW Semi-Specular Cone, White Trim |
| | | | | SW Specular Cone, White Trim |
| | | | | M Semi-Specular |
| | | | | SA Satin Nickel |
| | | | | CU Copper |
| | | | | A Antique Bronze |
| | | R Round | BF Downlight Baffle | W White |
| | | | | BW Black Cone, White Trim |
| | | | | SA Satin Nickel |
| | | | | CU Copper |
| | | | | A Antique Bronze |
| | | AR Adjustable Round | Blank Adjustable | W White |
| | | | | SA Satin Nickel |
| | | | | CU Copper |
| | | | | A Antique Bronze |
| | | S Square ⁴ | D Downlight | W White |
| | | | | B Black |
| | | | | CU Copper |

NOTE: Wall washer optics are required for use with wall washer trims.

NOTE: Square Trim only available in 4"

¹ Solite™ Microprism lens option not available for wall washer | ²80 CRI only available for 12W | ³12W LED Light Engine only available in 6" can | ⁴Square trim available only for 4"