

Introducing the Class I Div 2 LED high bay.

Designed with over 50 years of experience in hazardous location lighting.



RAB[®]
LIGHTING
RABWEB.COM • 888 722-1000

HAZBAYLED

- Available in 78W (replaces 250W MH) or 104W (replaces 320W MH)
- Class I, Division 2, Groups A, B, C, D
- UL 1598, UL 8750 and UL 844 ratings
- Resistant to shock and vibration
- Rugged construction ensures long-life and safe operation
- Pendant mount (*pendant by others*)
- Bi-level and dimming available
- 100,000-Hour LED lifespan

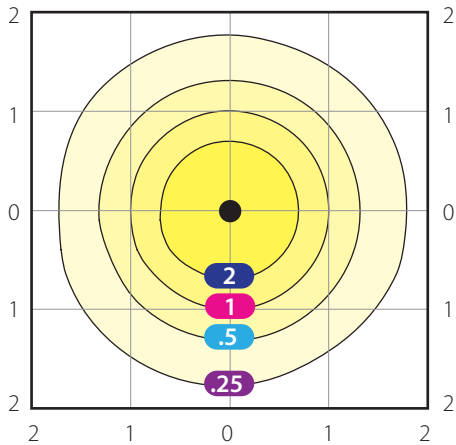


Aisle lighter option available (78W models only)

HAZBAYLED 104W

30' Mounting Height
Photometric Report #ITL82098

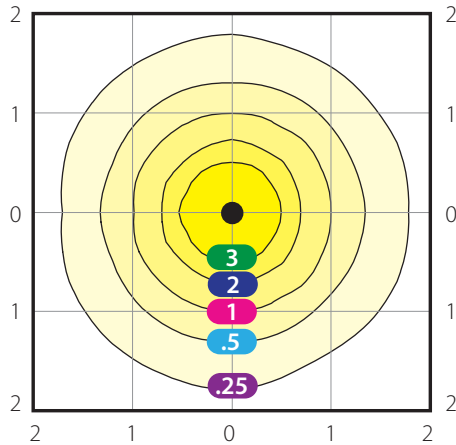
Mounting Height	Multiplier
25	1.4
28	1.2
30	1.0
32	0.9
35	0.7



HAZBAYLED 78W

25' Mounting Height
Photometric Report #ITL79694

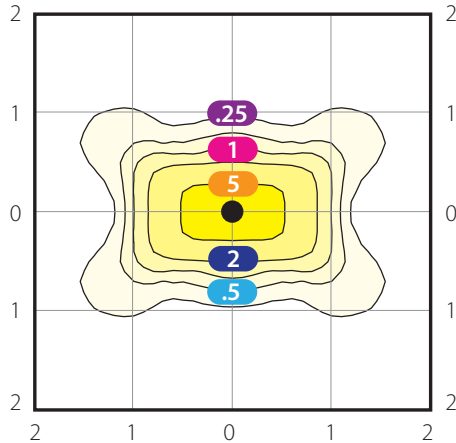
Mounting Height	Multiplier
20	1.6
22	1.3
25	1.0
28	0.8
30	0.7



HAZAISLED 78W

25' Mounting Height
Photometric Report #ITL80274

Mounting Height	Multiplier
20	1.6
22	1.3
25	1.0
28	0.8
30	0.7



Grid scale: multiples of mounting height • Values shown in footcandles

Class I, Division 2, Groups A, B, C and D

Class I: A hazardous location in which *flammable gases or vapors* may be present in the air in sufficient quantities to be explosive or ignitable, such as petroleum refineries, aircraft hangars, dry cleaning plants, utility gas plants or storage areas for liquified petroleum or natural gas, and spray finishing areas.

Division 2: Abnormal condition, where ignitable concentrations of flammable gases, vapors or liquids are not likely to exist under normal operating conditions, for example:

- Closed storage drums containing flammable liquids in an inside storage room would not **normally** allow the hazardous vapors to escape into the atmosphere. But if one of the containers is leaking, that creates an abnormal condition.

Groups A - D: The gases and vapors of Class I locations are broken into four groups by the Code: A, B, C, and D. These materials are grouped according to the **ignition temperature** of the substance, its **explosion pressure**, and other flammable characteristics.

- **Group A** - The only substance in Group A is acetylene because it is a gas with extremely high explosion pressures.
- **Group B** - This group includes hydrogen and other materials with similar characteristics.
- **Group C & D** - The most usual Class I groups. They comprise the greatest percentage of all Class I hazardous locations. Found in Group C is ethylene. Found in Group D are many of the most common flammable substances such as butane, gasoline, natural gas and propane.

UL Listing

Product complies with the following standards:

1. Standard for Luminaires for Use in Hazardous (Classified) Locations, **UL 844**
2. Standard for Luminaires, **UL 1598**
3. Light Emitting Diode (LED) Light Sources for Use in Lighting Products, **UL 8750**

cUL Listing

Product complies with the following standards:

1. **CSA C22.2 No. 137** - Electric Luminaires for Use in Hazardous Locations
2. **CSA C22.2 No. 250.0-08** - CSA Standard for Safety for Luminaires

T Ratings

All models are T3A

HAZAISLED 78W - Aisle & Shelf Lighting

Most high bays produce "hot spots" on higher shelves that cause glare. HAZAISLED78 eliminates hot spots, improving overall visibility.



250W MH High Bay

The uniform vertical light distribution of the HAZAISLED78 is much more effective than the uneven "scallop" effect produced by most high bays



HAZAISLED78

Specifications

UL Listing: Suitable for wet locations

LEDs: Multi-chip, high-output, long-life LEDs

Lifespan: 100,000-hour LED lifespan based on IES LM-80 results and TM-21 calculations

Drivers: Constant Current, Class 2, 100 - 277VAC, 50/60 Hz, 720mA, with 6 kV surge protection

Bi-level Operation (optional): 78W: Allows 33% (or 66%) and 100% output modes. **104W:** Allows 50% and 100% output modes.

Dimming (optional): 0-10V dimming available for 104W models

HAZBAYLED 78W

Correlated Color Temp. (CCT)	5200K	4000K	3000K
Input Watts @ 120V	89	89	88
Output Lumens	7,463	7,704	7,230
Lumens per Watt	84	87	82
Color Accuracy (CRI)	82	82	81

HAZBAYLED 104W

Correlated Color Temp. (CCT)	5100K	4000K	3000K
Input Watts @ 120V	123	124	121
Output Lumens	10,375	10,374	9,498
Lumens per Watt	84	84	78
Color Accuracy (CRI)	82	81	81

Ambient Temperature: Suitable for use in 40°C (104°F)

Thermal Management: Superior thermal management with external Air-Flow fins

Housing: Precision die-cast aluminum housing and door frame with four 3/4" conduit openings with plugs

Mounting: 3/4" NPS pendant mount (*pendant by others*)

Lens: Tempered glass

Reflector: Specular vacuum metallized polycarbonate

Gaskets: High-temperature silicone

Finish: Our environmentally friendly polyester powder coatings are formulated for high-durability and long-lasting color, and contain no VOC or toxic heavy metals.

Color Stability: LED color temperature warranted not to shift more than 200K in CCT in 5 years

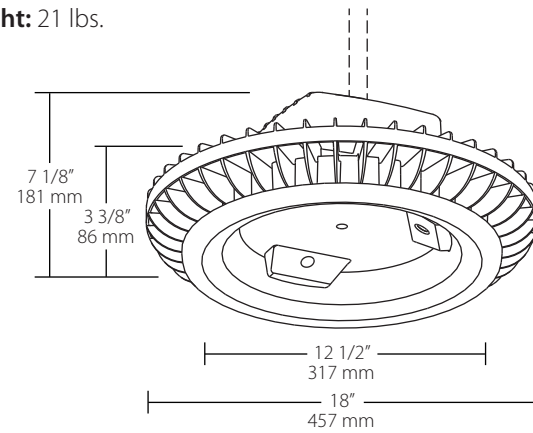
Color Uniformity: RAB's range of CCT (Correlated Color Temperature) follows the guidelines of the American National Standard for Specifications for the Chromaticity of Solid State Lighting (SSL) Products, ANSI C788.377-2015.

Green Technology: Mercury and UV free, and RoHS compliant. Polyester powder coat finish formulated without the use of VOC or toxic heavy metals.

IESNA LM-79 & LM-80 Testing: RAB LED luminaires have been tested by an independent laboratory in accordance with IESNA LM-79 and LM-80, and have received the Department of Energy "Lighting Facts" label.

Dimensions & Weight

Weight: 21 lbs.



Ordering Information

78W Models

Product Family	Wattage	Color Temperature	Finish	Options
HAZBAYLED Highbay HAZBAYAISLED Aisle Lighter	78 78W	Blank 5000K N 4000K Y 3000K	Blank Gray W White	Blank No Option /D10 0-10V Dimming

104W Models

Product Family	Wattage	Color Temperature	Finish	Options
HAZBAYLED Highbay	104 104W	Blank 5000K N 4000K Y 3000K	Blank Gray W White	Blank No Option /D10 0-10V Dimming



Introducing the Class I Div 2 LED high bay.

Designed with 57 years of experience in hazardous location lighting.



RAB[®]
LIGHTING
RABWEB.COM • 888 722-1000