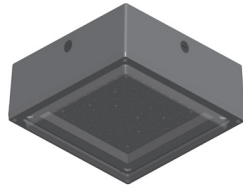


# INSTRUCTIONS

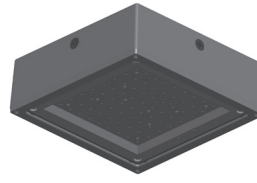
## VANLED® INSTALLATION

# RAB®

RAB Lighting is committed to creating high-quality, affordable, well-designed and energy-efficient LED lighting and controls that make it easy for electricians to install and end users to save energy. We'd love to hear your comments. Please call the Marketing Department at 888-RAB-1000 or email: [marketing@rablighting.com](mailto:marketing@rablighting.com)



VANLED - Drop Lens



VANLED - Flat Lens

### IMPORTANT

#### READ CAREFULLY BEFORE INSTALLING FIXTURE. RETAIN THESE INSTRUCTIONS FOR FUTURE REFERENCE.

RAB fixtures must be wired in accordance with the National Electrical Code and all applicable local codes. Proper grounding is required for safety. THIS PRODUCT MUST BE INSTALLED IN ACCORDANCE WITH THE APPLICABLE INSTALLATION CODE BY A PERSON FAMILIAR WITH THE CONSTRUCTION AND OPERATION OF THE PRODUCT AND THE HAZARDS INVOLVED.

**WARNING: Make certain power is OFF before installing or maintaining fixture. No user serviceable parts inside.**

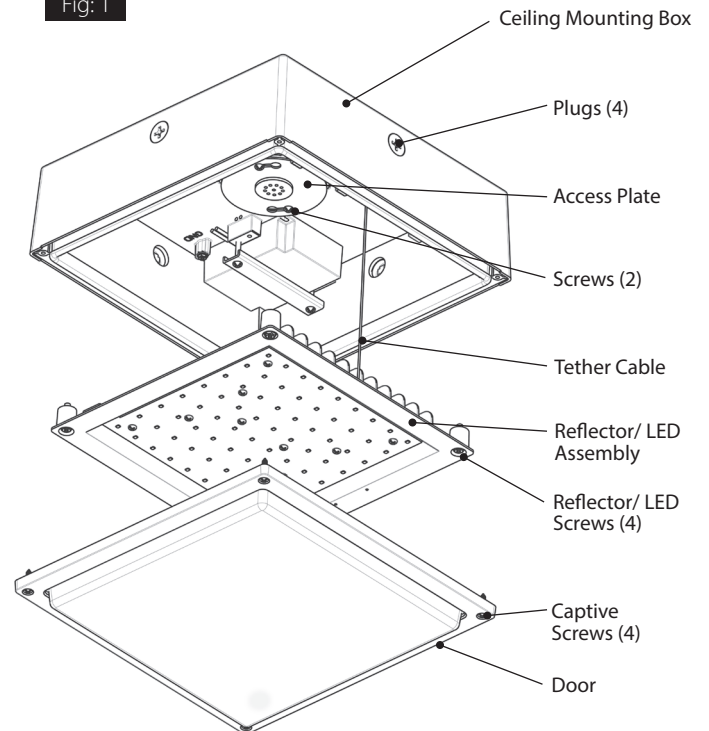
**CAUTION: For proper weatherproof function all gaskets must be seated properly and all screws inserted and tightened firmly. Apply weatherproof silicone sealant around the edge of the Ceiling Mounting Box and/or Junction Box. This is especially important with an uneven ceiling surface. Silicone all plugs and unused conduit entries.**

### CEILING MOUNTING

The fixture is suitable for outdoor applications in wet locations.

1. Remove **Door** by loosening (4) **Captive Screws**.
2. Remove **Reflector/ LED Assembly** by loosening (4) **Reflector/ LED Screws**.
3. Hang **Reflector/ LED Assembly** by **Tether Cable**.
4. Knock out appropriate **Slots** as marked in Fig. 2, by loosening **Screws (2)** on **Access Plate** and secure to junction box (not supplied). Check gasket is fully sealed.
5. Mount **Ceiling Mounting Box** to ceiling by drilling out (4) **Drill Locations** as marked in Fig. 2. Use the appropriate mounting hardware for the mounting surface. Be sure gasket is properly seated.
6. Feed fixture wires through the **Access Plate** or through one of the **Plugs (4)** to make electrical splices in junction box. Use appropriate UL approved wire connectors as required by code to complete wiring.
7. Re-assemble **Reflector/ LED Assembly** and **Door**. Be careful not to pinch wires.
8. Tighten all screws.
9. Use silicone or teflon tape on all **Plugs** and on the threads of all conduit entry points. If outdoor surface is irregular, use caulk to seal any gaps around **Ceiling Mounting Box**.

Fig: 1



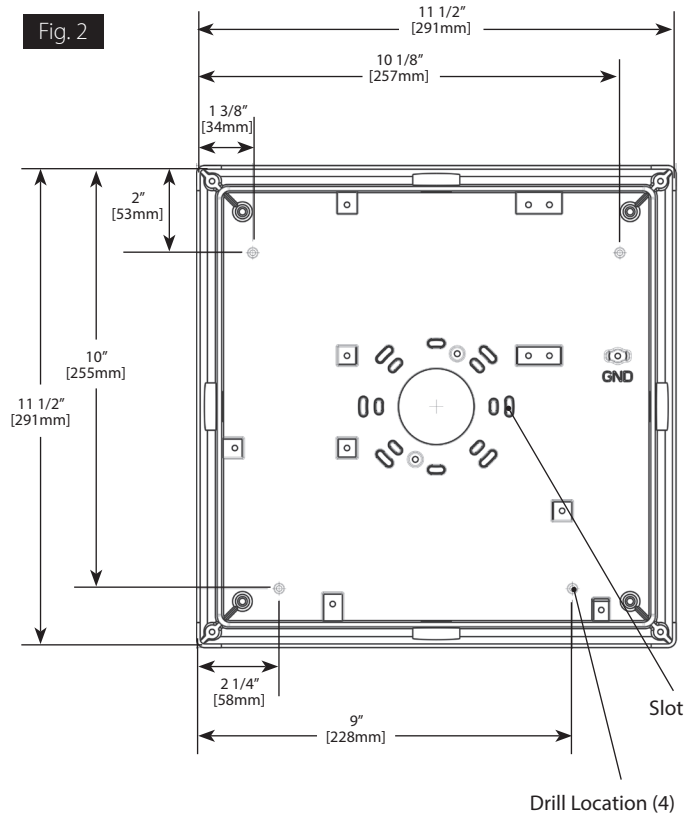
# INSTRUCTIONS

## VANLED® INSTALLATION

# RAB®

RAB Lighting is committed to creating high-quality, affordable, well-designed and energy-efficient LED lighting and controls that make it easy for electricians to install and end users to save energy. We'd love to hear your comments. Please call the Marketing Department at 888-RAB-1000 or email: [marketing@rablighting.com](mailto:marketing@rablighting.com)

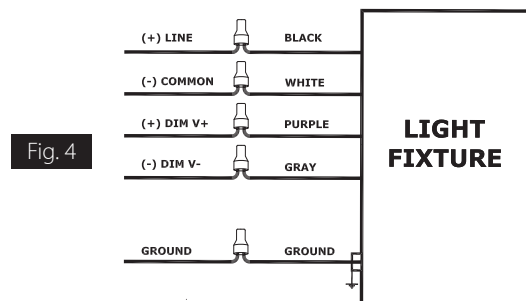
### DRILL LOCATION



### 0-10V DIMMABLE WIRING

Universal voltage driver permits operation at 120V thru 277V, 50 or 60 Hz. Units ordered with (/480V) suffix are 480V, 50Hz or 60Hz. For 0-10V Dimming, follow the wiring directions in fig. 4.

1. Connect the black fixture lead to the (+) LINE supply lead.
2. Connect the white fixture lead to the (-) COMMON supply lead.
3. Connect the GROUND wire from fixture to supply ground. Do NOT connect the GROUND of the dimming fixture to the output.
4. Connect the purple fixture lead to the (V+) DIM lead.
5. Connect the gray fixture lead to the (V-) DIM lead.
6. Cap the yellow fixture lead, if present. Do NOT connect.



### TROUBLESHOOTING

1. Check that the line voltage at the fixture is correct. Refer to wiring directions.
2. Be sure the fixture is grounded properly.
3. Is the photocell, if used, functioning properly?

### CLEANING & MAINTENANCE

**CAUTION:** Be sure fixture temperature is cool enough to touch. Do not clean or maintain while fixture is energized.

1. Clean polycarbonate lens with non-abrasive cleaning solution.
2. Do not open the fixture to clean the LEDs. Do not touch the LEDs.

**Note:** These instructions do not cover all details or variations in equipment nor do they provide for every possible situation during installation, operation or maintenance.

**RAB®**  
© 2019 RAB LIGHTING Inc.  
Northvale, New Jersey 07647 USA

#### Easy Answers

[rablighting.com](http://rablighting.com)  
Visit our website for product info

Tech Help Line  
Call our experts: 888 722-1000

e-mail  
Answered promptly - [sales@rablighting.com](mailto:sales@rablighting.com)

Free Lighting Layouts  
Answered online or by request

VANLED IN 1019  
73141-RAB

**RAB WARRANTY:** RAB's warranty is subject to all terms and conditions found at [rablighting.com/warranty](http://rablighting.com/warranty). **Patent:** [rablighting.com/ip](http://rablighting.com/ip)