

PIP 15W 20W 30W INSTALLATION INSTRUCTIONS



Thank you for buying RAB lighting fixtures. Our goal is to design the best quality products to get the job done right. We'd like to hear your comments. Call the Marketing Department at 888-RAB-1000 or email: marketing@rabweb.com



IMPORTANT

READ CAREFULLY BEFORE INSTALLING FIXTURE. RETAIN THESE INSTRUCTIONS FOR FUTURE REFERENCE.

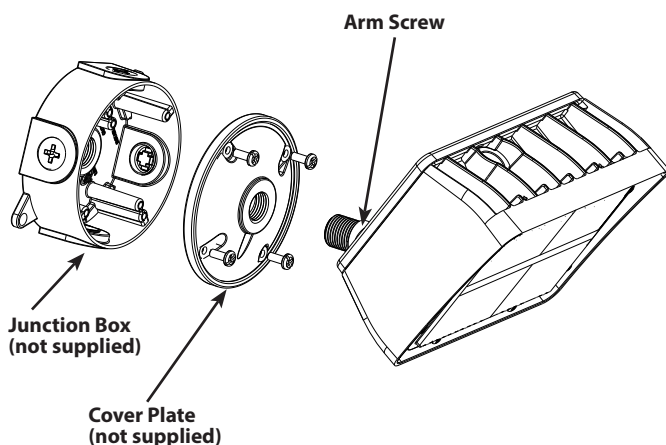
Fixtures must be wired in accordance with the National Electrical Code and all applicable local codes. Proper grounding is required for safety. THIS PRODUCT MUST BE INSTALLED IN ACCORDANCE WITH THE APPLICABLE INSTALLATION CODE BY A PERSON FAMILIAR WITH THE CONSTRUCTION AND OPERATION OF THE PRODUCT AND THE HAZARDS INVOLVED.

WARNING: Make certain power is OFF before installing or maintaining fixture. No user serviceable parts inside.

WALL MOUNTING

Mount to a weatherproof **Junction Box** and **Cover Plate** (not supplied) as shown. To ensure weatherproof seal, apply weatherproof silicone sealant around the edge of the **Junction Box** (not supplied). This is especially important with an uneven wall surface.

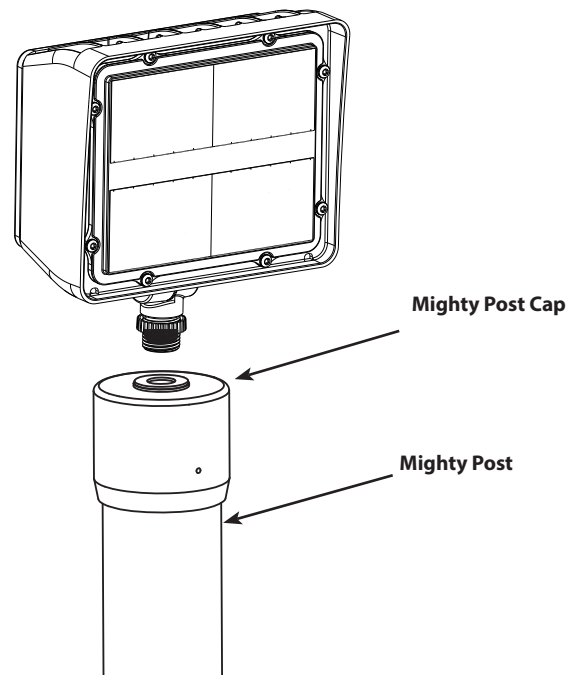
1. Secure LED Flood to a 1/2" NPS on **Cover Plate** (not supplied). Seal arm thread using Teflon tape or silicone sealant.
2. Connect wires as shown in the wiring diagram. Use appropriate UL approved wire connectors as required by code to make electrical splices to fixture leads. Be careful not to pinch wires.
WARNING: To prevent wiring damage or abrasion, do not expose wiring to edges of sharp objects.
3. Attach Cover Plate to **Junction Box** (not supplied).
4. Aim floodlight in the direction desired and tighten locknut and **Arm Screw**.
5. Plug all unused holes and seal threads with Teflon tape or silicone sealant.



GROUND MOUNTING

Mount to a Mighty Post (RAB CAT# MP19) as shown.

1. Secure LED Flood on **Mighty Post Cap**. Seal arm thread using Teflon tape or silicone sealant.
2. Connect wires as shown in the wiring diagram and push all wires inside the **Mighty Post**. Use appropriate UL approved wire connectors as required by code to make electrical splices to fixture leads. Be careful not to pinch wires.
WARNING: To prevent wiring damage or abrasion, do not expose wiring to edges of sharp objects.
3. Place **Mighty Post Cap** on the **Mighty Post**.
4. Aim floodlight in the direction desired and tighten locknut and **Arm Screw**.



PIP 15W 20W 30W INSTALLATION INSTRUCTIONS

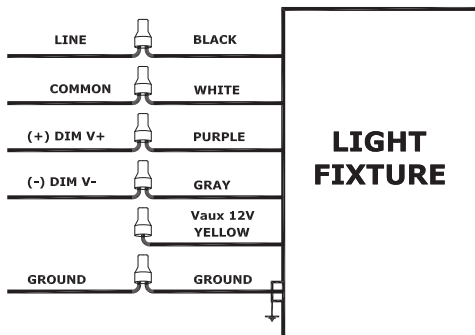


Thank you for buying RAB lighting fixtures. Our goal is to design the best quality products to get the job done right. We'd like to hear your comments. Call the Marketing Department at 888-RAB-1000 or email: marketing@rabweb.com

0-10V DIMMABLE WIRING

Universal voltage driver permits operation at 120V thru 277V, 50 or 60 Hz. 0-10V control wires must be rated for 300V minimum. Factory ordered fixtures with suffix (/PCU) are with 120V-277V button photocell. For 0-10V Dimming, follow the wiring directions as shown below.

1. Connect the black fixture lead to the LINE supply lead.
2. Connect the white fixture lead to the COMMON supply lead.
3. Connect the GROUND wire from fixture to supply ground. Do NOT connect the GROUND of the dimming fixture to the output.
4. Connect the purple fixture lead to the (V+) DIM lead.
5. Connect the gray fixture lead to the (V-) DIM lead.
6. Cap the yellow fixture lead. Do NOT connect.



CLEANING & MAINTENANCE

CAUTION: Be sure fixture temperature is cool enough to touch. Do not clean or maintain while fixture is energized.

1. Lens should be washed in a solution of warm water and any mild, non abrasive household detergent, rinsed with clean water and wiped dry.
2. Do not open fixture to clean the LED. Do not touch the LED.

TROUBLESHOOTING

1. Check that the line voltage at fixture is correct. Refer to wiring directions.
2. Be sure the fixture is grounded properly.
3. Be sure the photocell is functioning properly.

Pending: Pat. pending

Note: These instructions do not cover all details or variations in equipment nor do they provide for every possible situation during installation operation or maintenance.



Easy Installation & Product Help

Tech Help Line
Call our experts 888 RAB-1000

rabweb.com
Visit our website for product info

email
Answered promptly sales@rabweb.com

PIP 45W INSTALLATION INSTRUCTIONS



Thank you for buying RAB lighting fixtures. Our goal is to design the best quality products to get the job done right. We'd like to hear your comments. Call the Marketing Department at 888-RAB-1000 or email: marketing@rabweb.com



IMPORTANT

READ CAREFULLY BEFORE INSTALLING FIXTURE. RETAIN THESE INSTRUCTIONS FOR FUTURE REFERENCE.

Fixtures must be wired in accordance with the National Electrical Code and all applicable local codes. Proper grounding is required for safety. THIS PRODUCT MUST BE INSTALLED IN ACCORDANCE WITH THE APPLICABLE INSTALLATION CODE BY A PERSON FAMILIAR WITH THE CONSTRUCTION AND OPERATION OF THE PRODUCT AND THE HAZARDS INVOLVED.

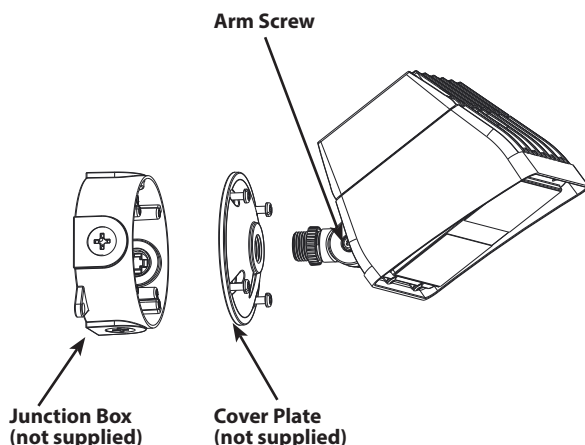
WARNING: Make certain power is OFF before installing or maintaining fixture. No user serviceable parts inside.

WALL MOUNTING

Mount to a weatherproof **Junction Box** and **Cover Plate** (not supplied) as shown. To ensure weatherproof seal, apply weatherproof silicone sealant around the edge of the **Junction Box** (not supplied). This is especially important with an uneven wall surface.

1. Secure LED Flood to a 1/2" NPS on **Cover Plate** (not supplied). Seal arm thread using Teflon tape or silicone sealant.
2. Connect wires as shown in the wiring diagram. Use appropriate UL approved wire connectors as required by code to make electrical splices to fixture leads. Be careful not to pinch wires.
WARNING: To prevent wiring damage or abrasion, do not expose wiring to edges of sharp objects.

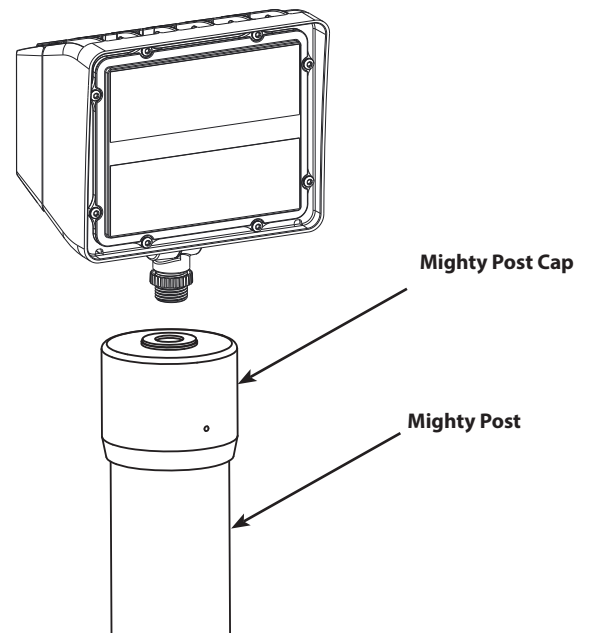
3. Attach Cover Plate to **Junction Box** (not supplied).
4. Aim floodlight in the direction desired and tighten locknut and **Arm Screw**.
5. Plug all unused holes and seal threads with Teflon tape or silicone sealant.



GROUND MOUNTING

Mount to a Mighty Post (RAB CAT# MP19) as shown.

1. Secure LED Flood on **Mighty Post Cap**. Seal arm thread using Teflon tape or silicone sealant.
2. Connect wires as shown in the wiring diagram and push all wires inside the **Mighty Post**. Use appropriate UL approved wire connectors as required by code to make electrical splices to fixture leads. Be careful not to pinch wires.
WARNING: To prevent wiring damage or abrasion, do not expose wiring to edges of sharp objects.
3. Place **Mighty Post Cap** on the **Mighty Post**.
4. Aim floodlight in the direction desired and tighten locknut and **Arm Screw**.



PIP 45W INSTALLATION INSTRUCTIONS

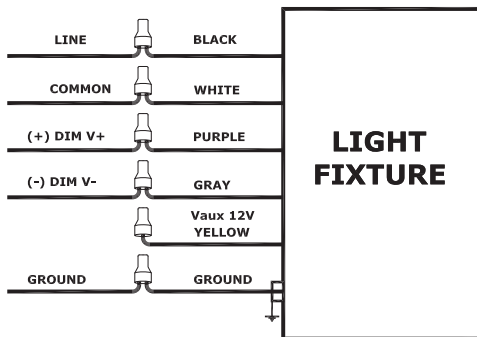


Thank you for buying RAB lighting fixtures. Our goal is to design the best quality products to get the job done right. We'd like to hear your comments. Call the Marketing Department at 888-RAB-1000 or email: marketing@rabweb.com

0-10V DIMMABLE WIRING

Universal voltage driver permits operation at 120V thru 277V, 50 or 60 Hz. 0-10V control wires must be rated for 300V minimum. Factory ordered fixtures with suffix (/PCU) are with 120V-277V button photocell. For 0-10V Dimming, follow the wiring directions as shown below.

1. Connect the black fixture lead to the LINE supply lead.
2. Connect the white fixture lead to the COMMON supply lead.
3. Connect the GROUND wire from fixture to supply ground. Do NOT connect the GROUND of the dimming fixture to the output.
4. Connect the purple fixture lead to the (V+) DIM lead.
5. Connect the gray fixture lead to the (V-) DIM lead.
6. Cap the yellow fixture lead. Do NOT connect.



CLEANING & MAINTENANCE

CAUTION: Be sure fixture temperature is cool enough to touch. Do not clean or maintain while fixture is energized.

1. Lens should be washed in a solution of warm water and any mild, non abrasive household detergent, rinsed with clean water and wiped dry.
2. Do not open fixture to clean the LED. Do not touch the LED.

TROUBLESHOOTING

1. Check that the line voltage at fixture is correct. Refer to wiring directions.
2. Be sure the fixture is grounded properly.
3. Be sure the photocell is functioning properly.

Pending: Pat. pending

Note: These instructions do not cover all details or variations in equipment nor do they provide for every possible situation during installation operation or maintenance.



Easy Installation & Product Help

Tech Help Line
Call our experts 888 RAB-1000

rabweb.com
Visit our website for product info

email
Answered promptly sales@rabweb.com

PIP™ XL 70W 100W INSTALLATION INSTRUCTIONS



Thank you for buying RAB lighting fixtures. Our goal is to design the best quality products to get the job done right. We'd like to hear your comments. Call the Marketing Department at 888-RAB-1000 or email: marketing@rabweb.com



PIP XL with SLIPFITTER



PIP XL with TRUNNION

IMPORTANT

READ CAREFULLY BEFORE INSTALLING FIXTURE. RETAIN THESE INSTRUCTIONS FOR FUTURE REFERENCE.

Fixtures must be wired in accordance with the National Electrical Code and all applicable local codes. Proper grounding is required for safety. THIS PRODUCT MUST BE INSTALLED IN ACCORDANCE WITH THE APPLICABLE INSTALLATION CODE BY A PERSON FAMILIAR WITH THE CONSTRUCTION AND OPERATION OF THE PRODUCT AND THE HAZARDS INVOLVED.

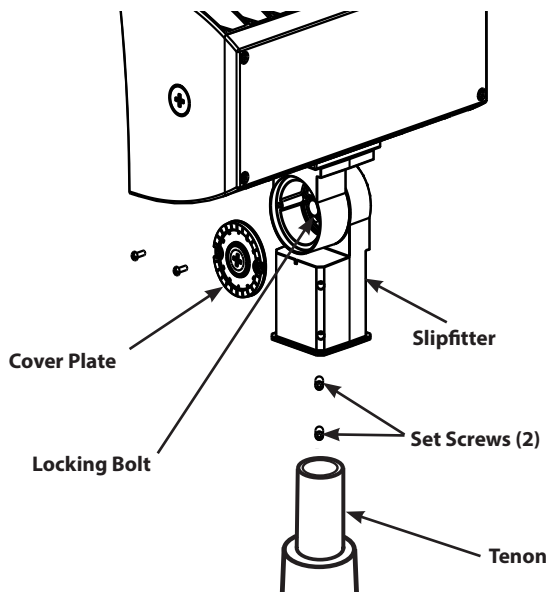
WARNING: Make certain power is OFF before installing or maintaining fixture. No user serviceable parts inside.

WARNING: RISK OF SERIOUS INJURY OR DEATH!

DO NOT MOUNT THE SLIPFITTER TO A TENON OR BRACKET THAT IS MORE THAN 20 DEGREES FROM VERTICAL. MOUNTING AT ANY ANGLE OTHER THAN 0-20 DEGREES INCREASES THE RISK OF DISENGAGEMENT AND/OR FAILURE OF THE SLIPFITTER. INSTALL THE POLE ON A SECURE BASE OR INSTALL THE BRACKET TO A WALL FIRST. THEN PLACE LUMINAIRE ONTO THE POLE OR BRACKET. DO NOT LIFT ASSEMBLED LUMINAIRE OR POLE OR LUMINAIRE & BRACKET. LUMINAIRE OR POLE/BRACKET MAY DISENGAGE.

SLIPFITTER MOUNTING

1. The slipfitter mounting fits a 2 3/8" O.D. **Tenon**. Place the slipfitter over the **Tenon** and secure the fixture with the **Set Screws (2)** on the side of the slipfitter.
2. Remove two screws on side of **Cover Plate**. Remove the **Cover Plate** and adjust the angle of the fixture.
3. Loosen the **Locking Bolt** and swivel fixture to desired angle.
4. Tighten the **Locking Bolt** and re-attach **Cover Plate**.

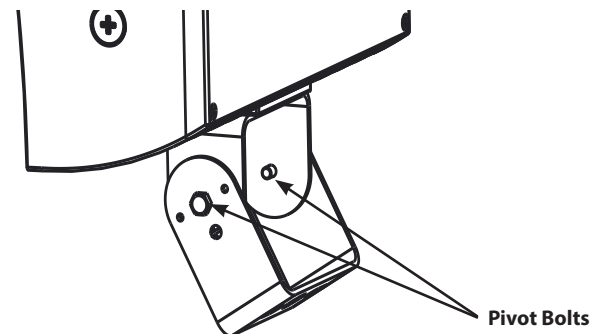


TRUNNION MOUNTING

CAUTION: UL and C-UL listed or CSA certified liquid tight cord grip suitable for use with STW flexible cord shall be used for connection to a wet location outlet box provided by others.

To adjust the angle of the fixture using the trunnion:

1. Loosen the **Pivot Bolts** & angle locking screw.
2. Adjust fixture to desired angle.
3. Tighten **Pivot Bolts** & angle locking screw.



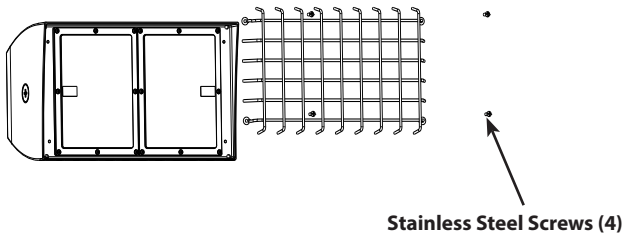
PIP™ XL 70W 100W INSTALLATION INSTRUCTIONS



Thank you for buying RAB lighting fixtures. Our goal is to design the best quality products to get the job done right. We'd like to hear your comments. Call the Marketing Department at 888-RAB-1000 or email: marketing@rabweb.com

WIRE GUARD INSTALLATION

Wire Guard mount with (4) #8-32 **Stainless Steel Screws**. Screws are provided with the accessory. Line up guard with existing pre-drilled holes in frame as shown, tighten screws.



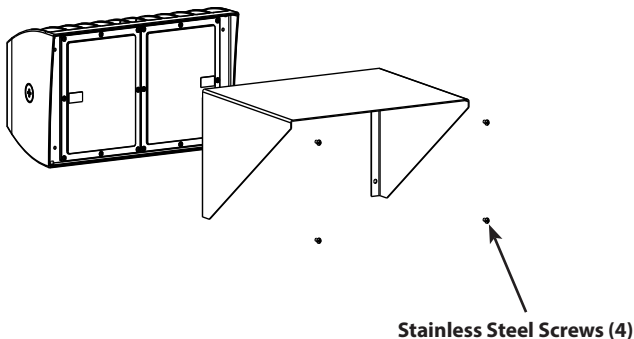
RECEPTACLE OPTION

Units ordered with (/PCT) suffix is supplied with 3 wire receptacle and 120-277V Twistlock Photocell. Units ordered with (/PCT4) is supplied with 3 wire receptacle and 480V Twistlock Photocell.

Units ordered with (/7PR) suffix is supplied with 7-Pin receptacle without photocell. Brown and Orange wires from the 7-Pin receptacle are not connected and are reserved to DALI or other control systems.

HOOD INSTALLATION

Hood mount with (4) #8-32 **Stainless Steel Screws**. Screws are provided with the accessory. Line up hood with existing pre-drilled holes in frame as shown, tighten screws.



BILEVEL DIMMER OPTION

For 100% light output (disabling the dimmer), splice red wire with black line wire.

For chosen output only, leave red wire capped.

For Bilevel Function, connect red wire to switched device. Determine what % light output is desired and set switch prior to installation. Options are: 25%, 50%, and 75%.

ACCESSORIES

Wire Guard:	GDPIPXLW
12" Hood:	HPIPXL-12
Slipfitter Mount Replacement:	FFLEDXLSF
Trunnion Mount Replacement:	FFLEDXLT

PIP™ XL 70W 100W INSTALLATION INSTRUCTIONS



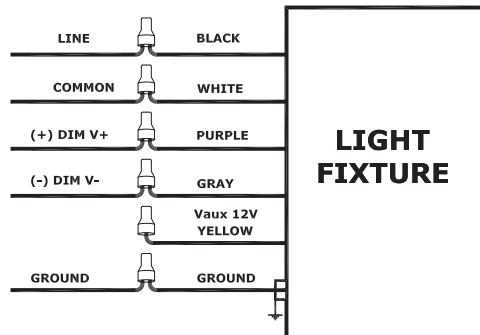
Thank you for buying RAB lighting fixtures. Our goal is to design the best quality products to get the job done right. We'd like to hear your comments. Call the Marketing Department at 888-RAB-1000 or email: marketing@rabweb.com

0-10V DIMMABLE WIRING

Universal voltage driver permits operation at 120V thru 277V, 50 or 60 Hz. For fixtures with Trunnion mounting, a 5-wire cord will be provided. 0-10V control wires must be rated for 300V minimum. Units ordered with (/480V) suffix are 480V, 50Hz or 60Hz and suffix (/PCU) are with 120V-277V button photocell. For 0-10V Dimming, follow the wiring directions as shown below.

1. Connect the black fixture lead to the LINE supply lead.
2. Connect the white fixture lead to the COMMON supply lead.
3. Connect the GROUND wire from fixture to supply ground.
4. Connect the purple fixture lead to the (V+) DIM lead.
5. Connect the gray fixture lead to the (V-) DIM lead.
6. Cap the yellow fixture lead. Do NOT connect.

NOTE: Do not connect DIM V+ (purple)/ DIM V- (gray) to line voltage or supply ground.



CLEANING & MAINTENANCE

CAUTION: Be sure fixture temperature is cool enough to touch. Do not clean or maintain while fixture is energized.

1. Lens should be washed in a solution of warm water and any mild, non abrasive household detergent, rinsed with clean water and wiped dry.
2. Do not open fixture to clean the LED. Do not touch the LED.

TROUBLESHOOTING

1. Check that the line voltage at the fixture is correct. Refer to wiring directions.
2. Be sure the fixture is grounded properly.
3. Ensure the photocell, if used, is functioning properly.

Pending: Pat. pending

Note: These instructions do not cover all details or variations in equipment nor do they provide for every possible situation during installation operation or maintenance.