

A lot of light for lighting a lot.

The economical LOTBLASTER™ has it covered.



RAB[®]
LIGHTING
RABWEB.COM • 888-722-1000

LOTBLASTER™ Area Light

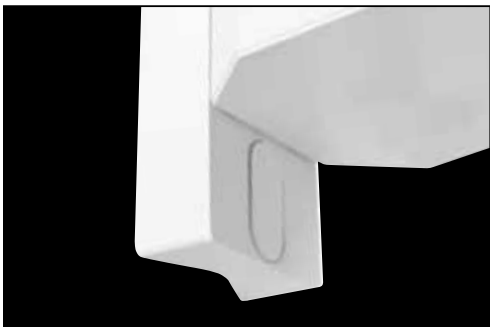
- Delivers up to 18,000 lumens
- Available in IES Type II, III, IV and VS distributions
- Lightweight design and low EPA minimize pole load
- Best-in-class 5-G vibration rating
- 10kV surge protection available
- All models are DLC listed
- 100,000-hour LED lifespan



Multi-level lighting control with motion sensor and twistlock photocell options



Hassle-free installation with swing door access to the wiring box



Mounts to all square and round poles with universal pole adaptor (available with fixture or as an accessory)



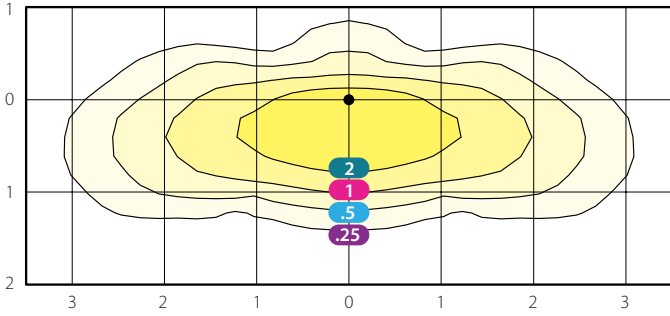
Optional, external house-side shield accessory available to reduce light trespass

Photometrics

LOTBLASTER 160W

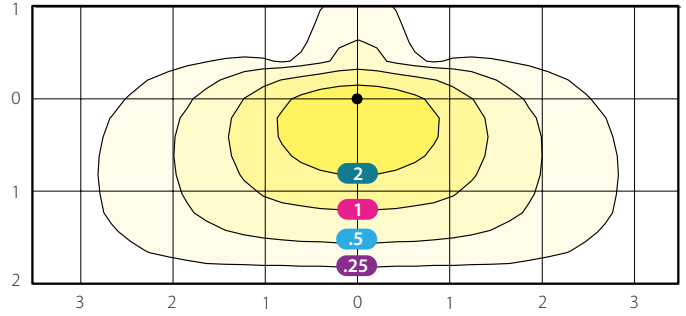
Type II - 35 ft. mounting height

Photometric Report #RAB02511MOD16050



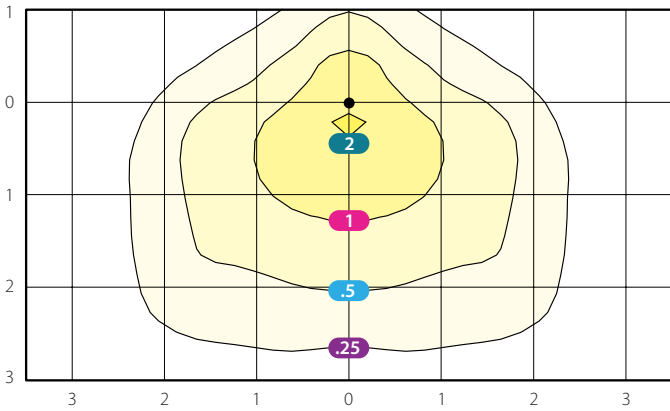
Type III - 35 ft. mounting height

Photometric Report #RAB02512MOD16050



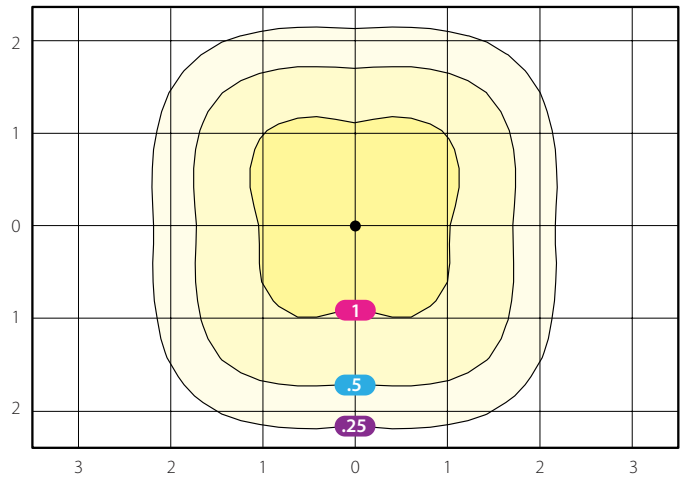
Type IV - 35 ft. mounting height

Photometric Report #RAB02639MOD50



Type VS - 35 ft. mounting height

Photometric Report #RAB02643MOD50



Mounting Height	Multiplier
15	5.4
20	3.1
25	2.0
30	1.4
35	1.0

Grid scales: Multiples of mounting height
Values shown in footcandles

Watts	Lumens Based on 5000K CCT @ 120Vac				Avg Lumens Across All Dist Types	Factor to Apply
	Type II	Type III	Type IV	Type VS		
65	7,207	7,264	6,811	7,340	7,156	0.400
110	12,706	12,807	12,008	12,876	12,599	0.704
160	18,028	18,170	17,037	18,323	17,890	1.000

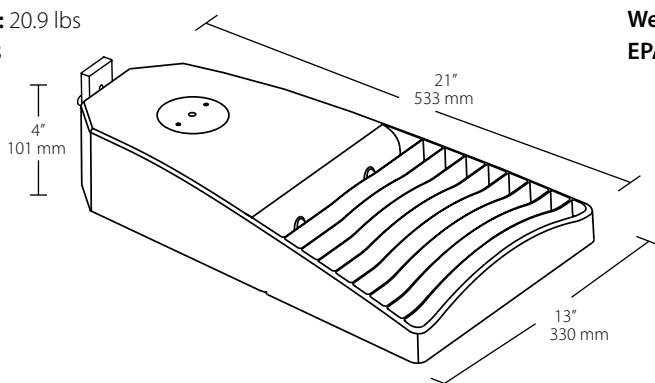
Wattage Adjustment Table:
Multiplying factor to adjust the iso-footcandle values when considering a lower wattage solution

Dimensions & weights

WITHOUT POLE ADAPTOR

Weight: 20.9 lbs

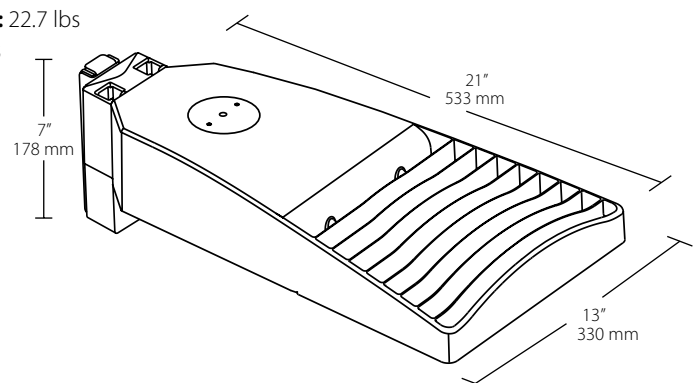
EPA: 0.8



WITH POLE ADAPTOR

Weight: 22.7 lbs

EPA: 0.8



Specifications

- UL Listing:** Suitable for wet locations
- IP Rating:** Rated IP66. Completely dust tight and protected against powerful water jets.
- Vibration Rating:** Industry-leading 5G vibration rating per ANSI C136.31.
- LEDs:** Long-life, high-efficiency, surface mount LEDs
- Lifespan:** 100,000-hour LED lifespan based on IES LM-80 results and TM-21 calculations
- Driver:** Class 2, constant current, 50/60 Hz., 120-277V or 480V
- 160W:** 1.35A @ 120V, 0.83A @ 208V, 0.72A @ 240V, 0.61A @ 277V, 0.35A @ 480V
- 110W:** 0.93A @ 120V, 0.56A @ 208V, 0.49A @ 240V, 0.42A @ 277V, 0.26A @ 480V
- 65W:** 0.55A @ 120V, 0.33A @ 208V, 0.29A @ 240V, 0.25A @ 277V, 0.15A @ 480V
- Dimming:** 0-10V dimming, standard
- Bi-Level Operation:** 3 setting controls: 25%, 50% or 75% (optional)
- Cold Weather Starting:** Minimum starting temperature is -40° F (-40° C)
- Ambient Temperature:** Suitable for use in 104° F (40° C) ambient temperatures
- Housing:** Precision die-cast aluminum housing. Optional Universal Pole Adaptor made from die-cast aluminum with high-tensile structural steel hardware.
- Mounting:** Mounts to RAB Square poles. Mounts to all square and round poles with universal pole adaptor (available with fixture or as an accessory) which will also fit pre-drilled bolt patterns from 2" - 5".
- Lens:** Clear acrylic lens with integrated optics
- Optics:** Available in IES Type II, III, IV and VS distributions
- Gaskets:** High-temperature silicone
- Finish:** Our environmentally friendly polyester powder coatings are formulated for high durability and long-lasting color, and contain no VOC or toxic heavy metals.
- Green Technology:** Mercury and UV free. RoHS-compliant components.
- Cut Off:** Full cutoff optics conform with dark sky requirements

LOTBLASTER 160W - TYPE III

Color Temperature	5000K	4000K	3000K
Input Watts	161	157	160
Output Lumens	18,170	16,994	16,807
Lumens Per Watt	113	108	105
Color Accuracy (CRI)	72	72	73

LOTBLASTER 110W - TYPE III

Color Temperature	5000K	4000K	3000K
Input Watts	110	108	110
Output Lumens	12,807	11,977	11,846
Lumens Per Watt	116	111	108
Color Accuracy (CRI)	72	72	72

LOTBLASTER 65W - TYPE III

Color Temperature	5000K	4000K	3000K
Input Watts	66	64	65
Output Lumens	7264	6794	6719
Lumens Per Watt	111	106	103
Color Accuracy (CRI)	72	72	71

Performance shown for Type III only. Visit rabweb.com for performance of Types II, IV and VS.

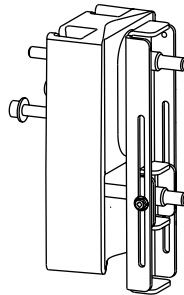
Accessories

LOT-UPA

Universal Pole Adaptor, Bronze

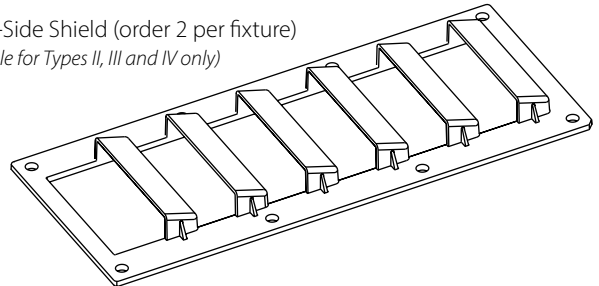
LOT-UPAW

Universal Pole Adaptor, White



LTHS

House-Side Shield (order 2 per fixture)
(available for Types II, III and IV only)



Ordering information

Product Family	IES Type	Wattage	Color Temp.	Finish	Driver Options	Mounting	Sensor Options	Accessories
LOT								
2T	Type II	160 160W	Blank 5000K	Blank Bronze	/D10 120 - 277V, 0-10V Dimming (standard)	Blank Mounts to RAB square poles	Blank None	/HS 2 House-Side Shields*
3T	Type III	110 110W	N 4000K	W White		/UPA Universal Pole Adaptor	/PCT 120-277V Twistlock PC	
4T	Type IV	65 65W	Y 3000K		/480/D10 480V, 0-10V Dimming		/PCT4 480V Twistlock PC	
5T	Type VS						/WS2 Multi-Level Motion Sensor + 20ft lens, 120-277V	
							/WS4 Multi-Level Motion Sensor + 40ft lens, 120-277V	
							/SPR 5-Pin Receptacle, no PCT	
							/7PR 7-Pin Receptacle, no PCT	
							/BL Bi-Level Dimming, 120-277V	

*Available for Types II, III and IV only