

# Barebones...dirt cheap... awesome!

It's what you get when you cross a panel and a troffer.



**RAB**® | Indoor

RABLIGHTING.COM • 888 722-1000

# T17™ LED Troffer



RAB's warranty is subject to all terms and conditions found at [rablighting.com/warranty](http://rablighting.com/warranty)

- A dirt cheap solution for drop ceilings
- Low-profile panel design; classic troffer look
- On/off light only; no dimming
- LED placement mimics look of tubes when lit
- Available in 2x2 (40W) and 2x4 (50W)
- 30,000-Hour LED lifespan
- Multiple-unit cartons reduce on-site waste

## 💰 Down to the nitty gritty.

We've stripped out the bells and whistles to deliver a quality product when you just need a light to turn on. RAB's T17 provides an energy-saving solution for even the tightest of budgets.

## ☀️ Keeping tradition alive.

This back-lit LED panel gives the appearance of a traditional troffer with fluorescent lamps. So, whether you need to wait for additional project funds, or you have to space out your installations due to time constraints, the T17's troffer-like appearance blends right in, removing any urgency to replace an entire area.

## ✅ Yeah, it's that simple.

It doesn't take in-depth training to explain this one. Give your end users something that turns on (or off) with just the flip of a switch. We've even simplified the packaging with multiple-unit cartons that reduce on-site waste and decrease unpacking and cleanup labor!



T17™ LED Troffer gives the appearance of a traditional troffer with fluorescent lamps.

## Performance

<b>2x4 (50W)</b>	<b>5700K</b>	<b>4000K</b>	<b>2x2 (40W)</b>	<b>5700K</b>	<b>4000K</b>
Input Watts	47	46	Input Watts	39	38
Lumens	4060	4171	Lumens	2953	3085
Lumens Per Watt (lm/W)	87	90	Lumens Per Watt (lm/W)	76	81
Color Accuracy (CRI)	85	81	Color Accuracy (CRI)	85	82

Performance data is based on test performed at 120V.

## Specifications

### UL Listing:

Suitable for damp locations

### LEDs:

Long-life, surface-mounted, discreet LEDs

### Lifespan:

30,000-hour LED lifespan based on IES LM-80 results and TM-21 calculations

### Drivers:

Class 2, Constant Current, 50/60Hz, 120-277V, 2kV surge protection

**40W:** 0.33A@120V, 0.20A@208V, 0.17A@240V, 0.15A@277V

**50W:** 0.40A@120V, 0.25A@208V, 0.21A@240V, 0.18A@277V

### Dimming:

None; on/off only

### Housing:

Plastic frame & galvanized steel back housing

### Ambient Temperature:

Suitable for use in -20°C (-4°F) to 40°C (104°F)

### Mounting:

For drop ceilings, standard integral clips secure the fixture to t-bars and prevent t-system separation. Compatible with RMKPANEL for other recessed applications.

### Lens:

Frosted Polystyrene

### Finish:

White

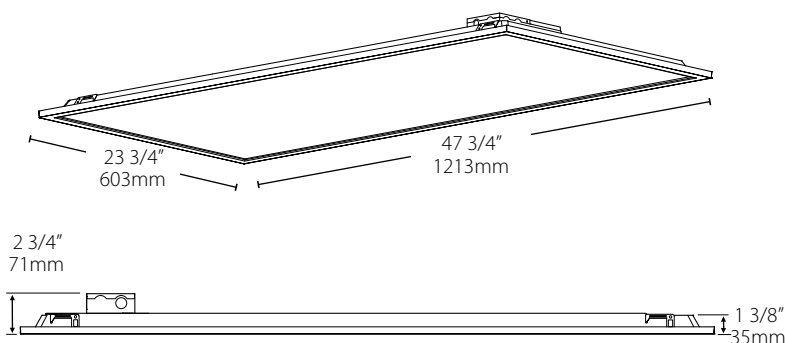
### Green Technology:

Mercury and UV free. RoHS-compliant components.

## Dimensions & weights

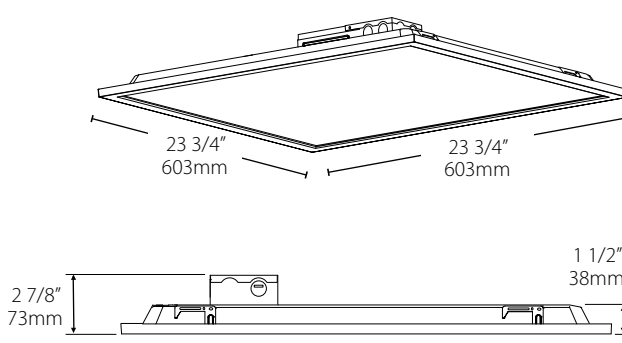
### 2x4 (50W)

Weight: 8.29 lbs.



### 2x2 (40W)

Weight: 4.51 lbs.



## Ordering Information

Product	Size	Wattage	Color Temp
T17	2x4	50	C
	2x2	40	N

For the latest product literature,  
download the rabdrive app

Get the app



Follow us



**RAB**<sup>®</sup>

Learn more:

[rablighting.com](http://rablighting.com) • [lightcloud.com](http://lightcloud.com)

RAB is continually improving our products. Specifications may change without notice.  
The designs of RAB fixtures are protected under U.S. and international intellectual property laws.