

Specifications

UL: Suitable for damp locations

IC Rating: Suitable for insulated ceilings

LEDs: Long-life, high-efficiency, micro-power, surface mount LEDs

Lifespan: 100,000-hour LED lifespan based on IES LM-80 results and TM-21 calculations

2 x 2 Drivers:

37W: Constant Current, Class 2, 4-channel driver with 0 - 10V dimming, 350mA, 120-277VAC: 0.46A, THD <10%, Power Factor >94%

50W: Constant Current, Class 2, 4-channel driver with 0 - 10V dimming, 450mA, 120-277VAC: 0.55 A, THD <11% Power Factor >92%

2 x 4 Drivers:

37W: Constant Current, Class 2, 4-channel driver with 0 - 10V dimming, 350mA, 120-277VAC: 0.46A, THD <10%, Power Factor >94%

50W: Constant Current, Class 2, 4-channel driver with 0 - 10V dimming, 450mA, 120-277VAC: 0.55 A, THD <11% Power Factor >92%

Lens: Nominal .125" thick prismatic acrylic lens with diffusion for enhanced optical performance

Housing: Die-formed 22 gauge, cold-rolled steel

Installation: Standard integral earthquake and NEC T-bar clips secure the fixture to T-bars and prevent T-system separation.

Finish: High-reflectance (91%) powder coat applied post production for a more durable finish

Dimming: Standard with 0 - 10V dimming driver which dims as low as 5%

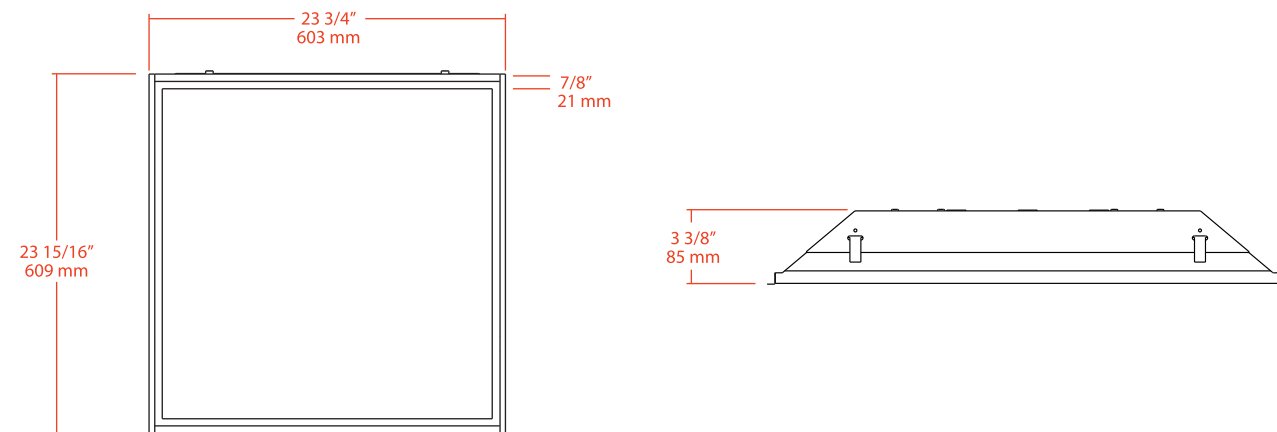
IESNA LM-79 & LM-80 Testing: RAB LED luminaires have been tested by an independent laboratory in accordance with IESNA LM-79 and LM-80, and have received the Department of Energy "Lighting Facts" label.

California Title 24: TRLED™ complies with 2013 California Title 24 building and electrical codes as a commercial indoor fixture for general spaces when used with a vacancy sensor and 0 - 10V dimming control.

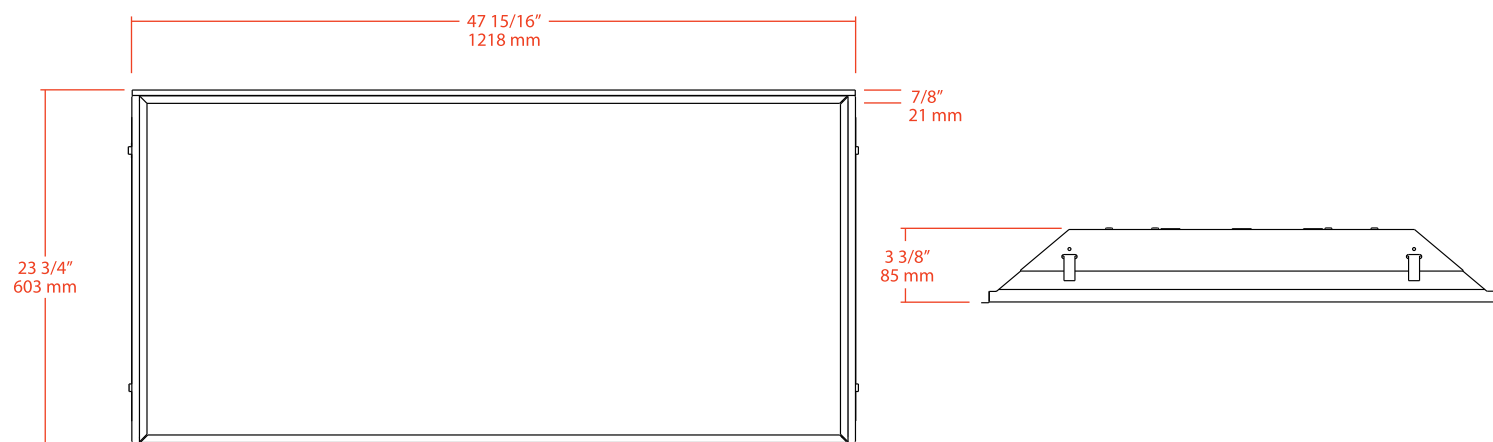
Green Technology: Mercury and UV free, and RoHS compliant. Polyester powder coat finish formulated without the use of VOC or toxic heavy metals.

Dimensions

2 x 2 Troffer



2 x 4 Troffer



TRLED™
LED TROFFER

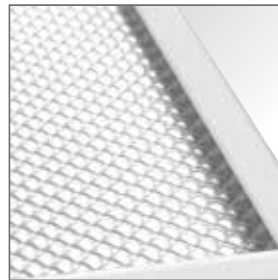


LED performance
in an economical
troffer.

RAB
LIGHTING
RABWEB.COM • 888 722-1000

LED TROFFERS

- Available in 2x2 and 2x4
- 37W and 50W models in 3 color temperatures
- Up to 94 lm/W
- 0-10V dimming standard on all models
- 100,000-hour LED lifespan
- 5-Year, No-Compromise Warranty



See the difference.

Nominal .125" thick prismatic acrylic lens with diffusion for enhanced optical performance and controlled distribution.



Durable build.

Die-formed 22 gauge, cold-rolled steel with high-reflectance (91%) powder-coated white finish.



On the flip side.

Door frame can be flipped, allowing for convenient hinging and latching from either side.



Seismic security.

Standard integral earthquake and NEC T-bar clips secure the TRLED™ to T-bars and prevent T-system separation.



Great dimming.

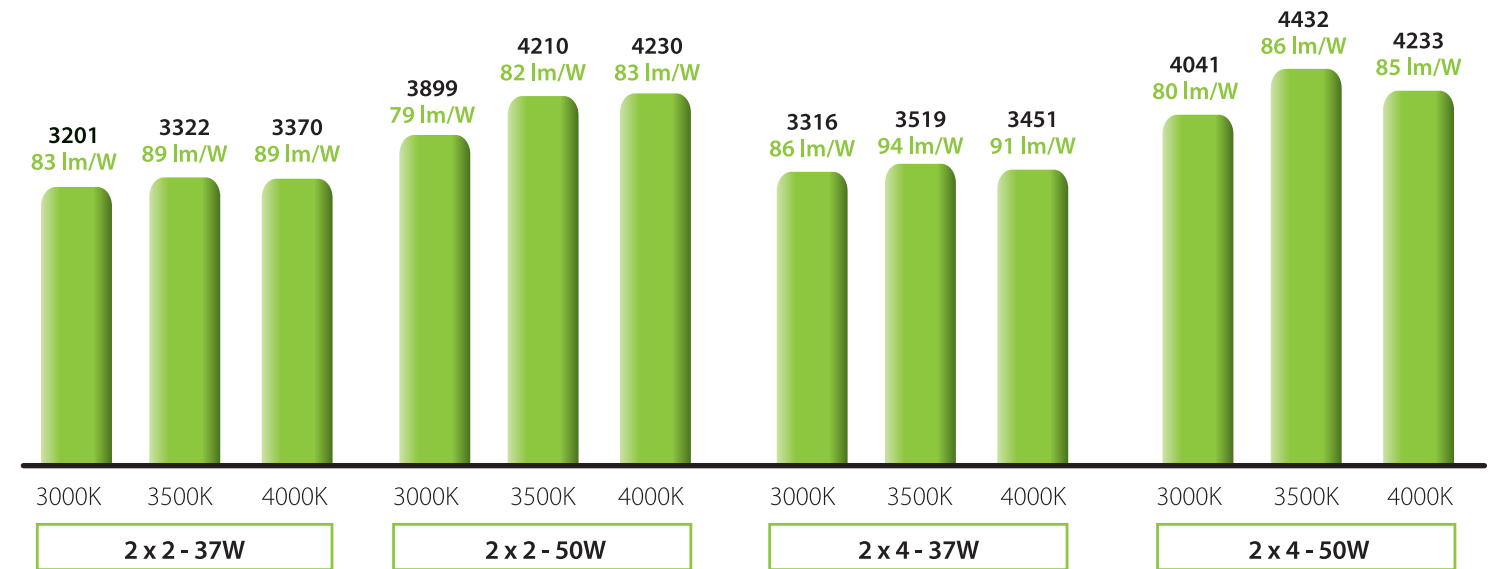
0-10V dimming as low as 5%. Integrates with daylight harvesting or other lighting control systems.



Send for backup.

Emergency battery backup option is available to provide emergency lighting when power is lost.

Lumen output and efficiency



Ordering information

| Product Family | Size | Wattage | Color Temperature | Dimming |
|----------------|------------|------------------|--------------------------------|---------|
| TRLED | 2X2 2X4 | 37 37W 50 50W | Y 3000K YN 3500K N 4000K | /D10 |

Recessed Drywall Mounting Kits

Recessed Mounting Kits

RMKPANEL2X2 - 2x2 Recessed Mounting Kit

RMKPANEL2X4 - 2x4 Recessed Mounting Kit

