

Built to last. Designed to save.

The vandalproof LED
that reduces energy
costs by up to 88%.



VAN1LED™



RAB[®]
LIGHTING
RABWEB.COM • 888-722-1000

Vandalproof LED



- Available in 6W and 12W models
- Replaces up to 100W incandescent for impressive energy savings
- Vandalproof polycarbonate drop lens
- Ultra efficient, up to 128 lm/W, reducing energy costs by up to 88%
- 50,000-Hour LED lifespan

Specifications

UL Listing: Suitable for wet locations. Covered ceiling mount only.

LEDs: 120V long-life LEDs

Dimming: TRIAC/ELV dimming capable*

VAN1LED 6W

Color Temperature	5000K	4000K	3000K
Input Watts	7	6	7
Output Lumens	872	813	781
Lumens Per Watt	125	128	120
Color Accuracy (CRI)	85	83	84

VAN1LED 12W

Color Temperature	5000K	4000K	3000K
Input Watts	13	12	12
Output Lumens	1570	1464	1406
Lumens Per Watt	122	124	117
Color Accuracy (CRI)	85	83	84

Cold Weather Starting: Minimum starting temperature is -22° F (-30° C)

Ambient Temperature: Suitable for use in 113° F (45° C) ambient temperatures

Housing: Precision steel housing

Mounting: Ceiling mount to recessed junction with knockout template.
Tamperproof screws.

Lens: Vandalproof, frosted polycarbonate drop lens

Gaskets: High-temperature silicone

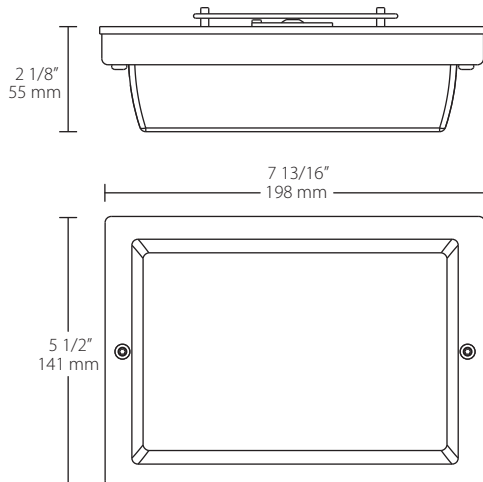
Finish: Our environmentally friendly polyester powder coatings are formulated for high durability and long-lasting color, and contain no VOC or toxic heavy metals.

Green Technology: Mercury and UV free. RoHS-compliant components.

*Visit rabweb.com for a list of known compatible dimmers.

Dimensions and weight

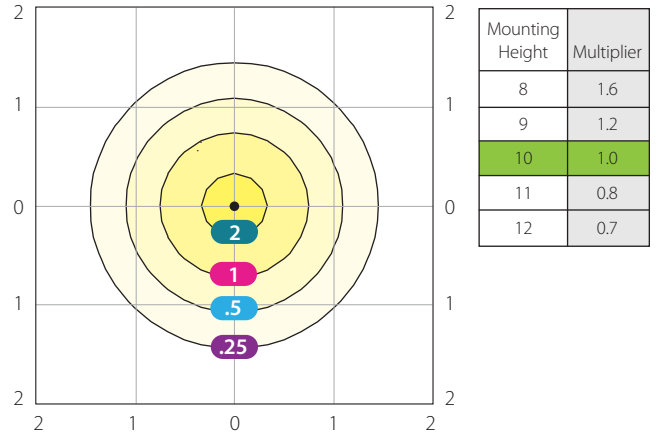
Weight: 1.25 lbs



Photometrics

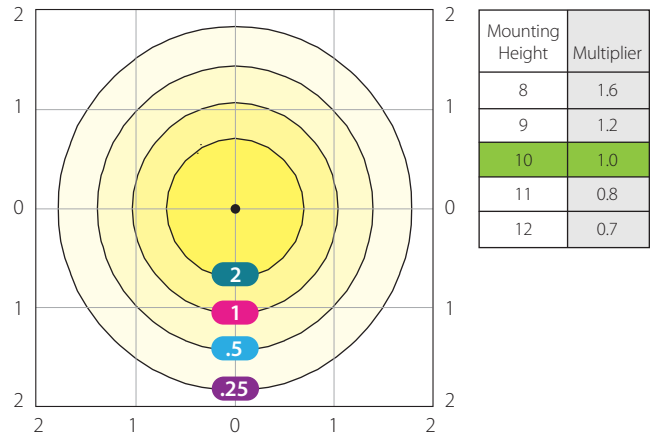
VAN1LED 6W - 10 ft mounting height

Photometric Report #RAB02539



VAN1LED 12W - 10 ft mounting height

Photometric Report #RAB02542MOD50



Grid scales: Multiples of mounting height
Values shown in footcandles

Ordering information

Product Family	Wattage	Color Temperature	Color
VAN1LED	6 6W 12 12W	Blank 5000K N 4000K Y 3000K	W White