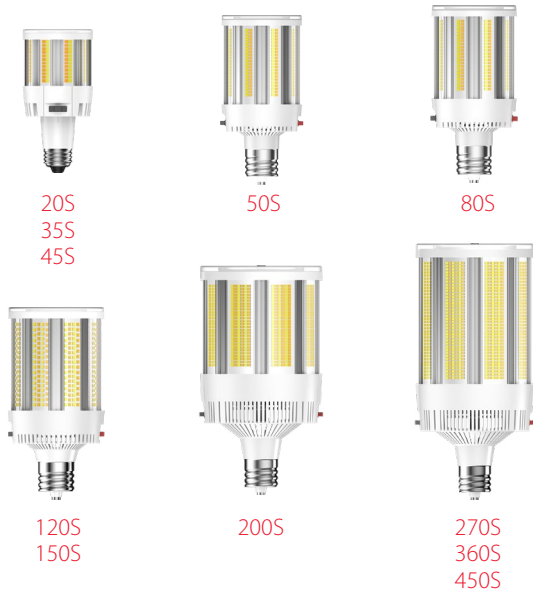


Field-Adjustable LED Post Top Lamps



Wattage & CCT Adjustable, Ballast Bypass,
120-277V & 277-480V

PROJECT:

DATE:

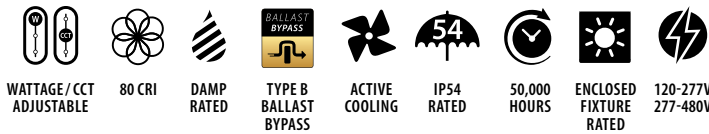
TYPE:

PREPARED BY:



KEY FEATURES

- Active cooling allows for lamp sizes that are up to 30% smaller, allowing them to fit into tight spaces while more accurately mirroring the traditional ANSI footprint
- Lumen and CCT selectable via physical controls located on the lamp
- Rated for open and enclosed fixtures with an IP64 listing and polycarbonate lens
- Integral driver enables lamp to be wired directly to line voltage without need for an external driver or ballast
- 3000/4000/5000K Selectable color temperature



PRODUCT OVERVIEW

Catalog Number	Wattage Equivalency	ANSI-Size	Input Wattage	Lumens	Efficacy	Input Voltage	Beam Angle	Color Temp	L70 Lifespan	Installation Orientation
HIDFA-20S-E26-8CCT-BYP	42W CFL,70W MH/HPS/HID	ED17	20/15/10W	1,380 lm - 3,040 lm	155 lm/W	120-277V	280°	Default: 5000K Field adjustable via dip switch 3000/4000/5000K	50,000 Hrs	Universal
HIDFA-35S-E26-8CCT-BYP	80W CFL,150W MH/HPS/HID		35/26/18W	2,754 lm - 5,250 lm	153 lm/W					
HIDFA-45S-E26-8CCT-BYP	100W CFL,150W MH/HPS/HID		45/33/22W	3,234 lm - 6,975 lm	158 lm/W					
HIDFA-50S-E26-8CCT-BYP	120W CFL,175W MH/HPS/HID	ED23.5	50/38/25W	3,700 lm - 7,750 lm	158 lm/W					
HIDFA-50S-EX39-8CCT-BYP	120W CFL,175W MH/HPS/HID		50/38/25W	3,700 lm - 7,750 lm	158 lm/W					
HIDFA-80S-EX39-8CCT-BYP	250W Metal Halide	ED28	80/60/40W	6,904 lm - 12,330 lm	160 lm/W					
HIDFA-120S-EX39-8CCT-BYP	400W Metal Halide		120/90/60W	9,633 lm - 19,508 lm	160 lm/W					
HIDFA-150S-EX39-8CCT-BYP	400W Metal Halide		150/115/80W	23,045 lm - 14,360 lm	160 lm/W					
HIDFA-200S-EX39-8CCT-BYP	600W Metal Halide	ED37	200/150/100W	17,290 lm - 33,380 lm	160 lm/W					
HIDFA-270S-EX39-8CCT-BYP	700W Metal Halide		270/200/135W	23,412 lm - 45,330 lm	160 lm/W					
HIDFA-120S-EX39-8CCT-BYP/480V	400W Metal Halide	ED28	120/90/60W	9,721 lm - 19,973 lm	160 lm/W	277-480V				

Field-Adjustable LED Post Top Lamps



PRODUCT OVERVIEW E (CONT'D.)

Catalog Number	Wattage Equivalency	Size	Input Wattage	Lumens	Efficacy	Input Voltage	Beam Angle	Color Temp	L70 Lifespan	Installation Orientation
HIDFA-150S-EX39-8CCT-BYP/480V	400W Metal Halide	ED28	150/115/80W	12,853 lm - 24,775 lm	160 lm/W	120-277V	280°	Field adjustable via dip switch 3000/4000/5000K	50,000 Hrs	Universal
HIDFA-200S-EX39-8CCT-BYP/480V	600W Metal Halide	ED37	200/150/100W	17,220 lm - 33,260 lm	168 lm/W					
HIDFA-270S-EX39-8CCT-BYP/480V	700W Metal Halide		270/200/135W	23,161 lm - 45,869 lm	168 lm/W					
HIDFA-360S-EX39-8CCT-BYP/480V	1000W Metal Halide		360/270/180W	30,280 lm - 59,004 lm	160 lm/W					
HIDFA-450S-EX39-8CCT-BYP/480V	1500W Metal Halide		450/338/225W	38,244 lm - 73,158 lm	160 lm/W					

TECHNICAL SPECIFICATIONS

CONSTRUCTION

Product Type Post Top with Active Cooling design	Enclosure Material UV Resistant Polycarbonate housing
Shape ED17 - 20W, 35W, 45W ED23.5 - 50W, 80W ED28 - 120W, 150W ED37 - 200W, 270	Finish White
Endcap Material Metal	Lens Finish Clear
	Base Type E26 Medium Base & EX39 Exclusionary Mogul Base

INSTALLATION

Installation Method UL Type B, Ballast Bypass	Installation Orientation Universal - both horizontal, base up or down installations
Enclosed Fixture Rated Yes	

LED CHARACTERISTICS

Beam Angle 280°	Color Stability LED color temperature is warranted to shift no more than 200K in color temperature over a 5-year period
Color Temperature Default: 5000K Field adjustable via dip switch 3000/4000/5000K	Color Uniformity RAB's range of Correlated Color Temperature follows the guidelines of the American National Standard for Specifications for the Chromaticity of Solid State Lighting (SSL) Products, ANSI C78.377-2017.
Color Accuracy (CRI) >80	
R9 Value High color performance with R9 greater than 6	
Color Consistency <7-step MacAdam Ellipse binning to achieve consistent fixture-to-fixture color	

ELECTRICAL

Dimmable Step dimming with physical switch on lamp body	Operating Temperature -40°F to 122°F (-40°C to 50°C)
Driver Constant Current	THD ≤20%
Input Voltage 120-277V & 277V-480V models available	Power Factor ≥0.9
Operating Frequency 60Hz	Flicker <50%
	Surge Protection 4 kV

COMPLIANCE

Listings UL Listed, UL Classified
Environment Suitable for use indoors in dry and damp environments
Fixture Rating Suitable for use in enclosed fixtures
IP Rating IP54
DLC Listed This product is on the Design Lights Consortium (DLC) Qualified Products List and is eligible for rebates from DLC Member Utilities. Designed to meet DLC 5.1 requirements.

OTHER

Warranty
RAB warrants that our LED products will be free from defects in materials and workmanship for a period of five (5) years from the date of delivery to the end user, including coverage of light output, color stability, driver performance and fixture finish.

RAB's warranty is subject to all terms and conditions found at rablighting.com/warranty.

Note
All values are typical (tolerance +/- 10%)

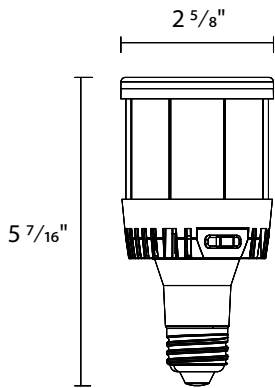
Field-Adjustable LED Post Top Lamps



DIMENSIONS

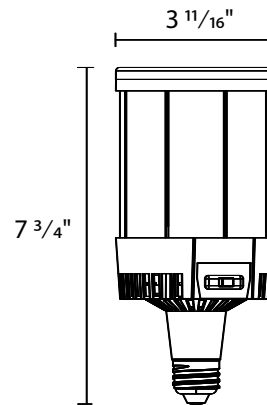
20S/35S/45S

Weight: .46/.48 lbs



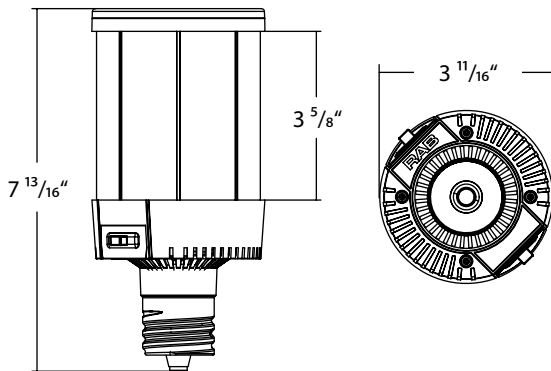
50S

Weight: 1.21 lbs



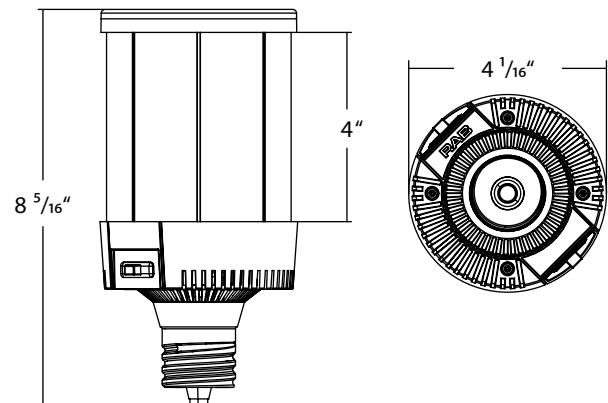
80S

Weight: 1.28 lbs



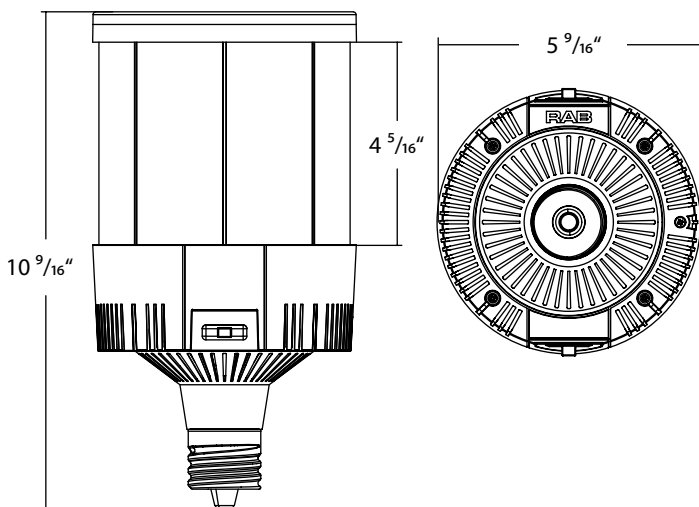
120S/150S

Weight: 1.65/1.72 lbs



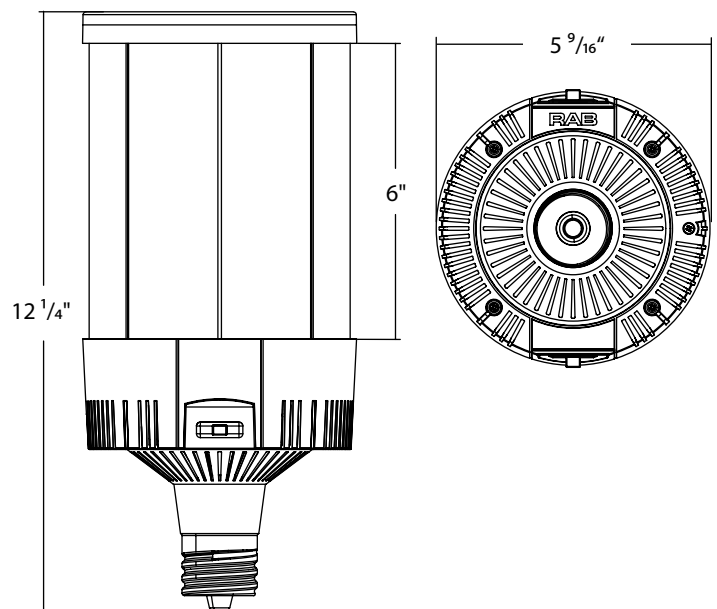
200S

Weight: 2.86 lbs



270S/360S/450S

Weight: 3.56/3.63/3.70 lbs



Field-Adjustable LED Post Top Lamps



ACCESSORIES

Adapters



HID-ACC-EX39



HID-ACC-E26

Catalog Number	UPC	Description
HID-ACC-E26 HID ACC	192552045568	E26 Adapter
HID-ACC-EX39 HID ACC	192552045575	EX39 Adapter

ORDERING INFO

Catalog Number	Model Number	UPC	Case Pack
HIDFA-20S-E26-8CCT-BYP	H20046(HIDFA-80S-EX39-8CCT-BYP)	192552056847	20
HIDFA-35S-E26-8CCT-BYP	H20047(HIDFA-120S-EX39-8CCT-BYP)	192552056854	20
HIDFA-45S-E26-8CCT-BYP	H20048(HIDFA-150S-EX39-8CCT-BYP)	192552056861	20
HIDFA-50S-E26-8CCT-BYP	H20049(HIDFA-200S-EX39-8CCT-BYP)	192552056878	12
HIDFA-50S-EX39-8CCT-BYP	H20050(HIDFA-270S-EX39-8CCT-BYP)	192552060141	12
HIDFA-80S-EX39-8CCT-BYP	H20046(HIDFA-80S-EX39-8CCT-BYP)	192552045407	12
HIDFA-120S-EX39-8CCT-BYP	H20047(HIDFA-120S-EX39-8CCT-BYP)	192552045414	12
HIDFA-150S-EX39-8CCT-BYP	H20048(HIDFA-150S-EX39-8CCT-BYP)	192552045421	12
HIDFA-200S-EX39-8CCT-BYP	H20049(HIDFA-200S-EX39-8CCT-BYP)	192552045438	6
HIDFA-270S-EX39-8CCT-BYP	H20050(HIDFA-270S-EX39-8CCT-BYP)	192552045445	6
HIDFA-120S-EX39-8CCT-BYP/480V	H20051(HIDFA-120S-EX39-8CCT-BYP/480V)	192552045452	12
HIDFA-150S-EX39-8CCT-BYP/480V	H20052(HIDFA-150S-EX39-8CCT-BYP/480V)	192552045469	12
HIDFA-200S-EX39-8CCT-BYP/480V	H20053(HIDFA-200S-EX39-8CCT-BYP/480V)	192552045476	6
HIDFA-270S-EX39-8CCT-BYP/480V	H20054(HIDFA-270S-EX39-8CCT-BYP/480V)	192552045483	6
HIDFA-360S-EX39-8CCT-BYP/480V	H20055(HIDFA-360S-EX39-8CCT-BYP/480V)	192552045490	6
HIDFA-450S-EX39-8CCT-BYP/480V	H20056(HIDFA-450S-EX39-8CCT-BYP/480V)	192552045506	6

ORDERING MATRIX

Family	Wattage	Base	CRI/Color Temp.	Installation	Driver
HIDFA		EX39	8CCT	BYP	
20S	20/15/10W	EX39 Mogul Base	8CCT 80CRI, 3000/4000/5000K	BYP UL Type B	Blank 120-277V Step Dimming
35S	35/26/18W	E26 Edison**	CCT Adjustable		/480V 277-480V Step Dimming
45S	45/33/22W				
50S	50/38/25W				
80S	80/60/40W				
120S	120/90/60W				
150S	150/115/80W				
200S	200/150/100W				
270S	270/200/135W*				
360S	360/270/180W*				
450S	450/338/225W*				

* 277-480V Versions only

** Only available on 20S, 35S, 45S, 50S models