

AL5 Field-Adjustable Area Light



AL5



AL5S

Architectural Post-Top Area Light, Field-Adjustable CCT & Wattage, Round & Square



PROJECT: _____

DATE: _____

TYPE: _____

PREPARED BY: _____



KEY FEATURES

- Available in two different shapes with selectable wattages: AL5 (Round) & AL5S (Square) : 120/60/30W, 60W default
- Selectable CCT: 3000/4000/5000K, 4000K default
- Available in 120-277V and 480V
- Optic: Type V distribution (wide)
- Options available with sensor-ready arm compatible with twistlock photo-cell or motion sensor (controls sold separately)
- UL listed for wet locations
- IP65 rated
- 5-year, no-compromise warranty

PERFORMANCE

MODEL#	Shape	Wattage	Input Wattage	Color Temperature	Voltage Ratings	Lumens	Efficacy	CRI
AL5	Round	30W	30.7W	5000K	120-277V	4,658	151.7	84
		60W	58.9W			8,847	150.2	84
		120W	121.2W			16,879	139.3	84
		30W	29.8W	4000K		4,749	159.4	86
		60W	57.2W			9,020	157.7	86
		120W	117.6W			17,208	146.3	86
		30W	30.8W	3000K		4,575	148.5	85
		60W	59.0W			8,689	147.3	84
		120W	121.4W			16,577	136.5	83
AL5/480	Round	30W	29.2W	5000K	480V	4,326	148.2	84
		60W	60.0W			9,033	150.6	84
		120W	120.7W			17,454	144.6	84
		30W	28.3W	4000K		4,398	155.4	86
		60W	58.2W			9,184	157.8	86
		120W	117.2W			17,746	151.4	86
		30W	29.2W	3000K		4,209	144.1	84
		60W	60.0W			8,789	146.5	85
		120W	120.8W			16,982	140.6	84

AL5 Field-Adjustable Area Light



PERFORMANCE

MODEL#	Shape	Wattage	Input Wattage	Color Temperature	Voltage Ratings	Lumens	Efficacy	CRI
AL5S	Square	30W	31.1W	5000K	120-277V	4,797	154.2	84
		60W	59.6W			9,059	152.0	84
		120W	120.3W			17,136	142.4	84
		30W	30.0W	4000K		4,851	161.7	85
		60W	57.6W			9,160	159.0	85
		120W	116.2W			17,328	149.1	85
		30W	31.1W	3000K		4,673	150.3	84
		60W	59.6W			8,825	148.1	84
		120W	120.3W			16,694	138.8	84
AL5S/480	Square	30W	29.7W	5000K	480V	4,466	150.4	84
		60W	59.7W			9,130	152.9	84
		120W	121.2W			17,948	148.1	84
		30W	28.8W	4000K		4,535	157.5	86
		60W	57.9W			9,271	160.1	86
		120W	117.6W			18,224	155.0	86
		30W	29.7W	3000K		4,358	146.7	84
		60W	59.7W			8,910	149.2	85
		120W	121.3W			17,515	144.4	84
AL5CY/PCTA		30W	31.4W	3000K	120-277V	4,581	145.9	83
		60W	60.2W			8,579	142.5	83
		120W	122.4			16,042	131.1	83
AL5SCY/PCTA		30W	31.0W	3000K	120-277V	4,399	141.9	83
		60W	59.4W			8,309	139.9	84
		120W	122.2W			15,831	129.5	83

AL5	3000K	4000K	5000K	3000K	4000K	5000K	3000K	4000K	5000K
Wattage	120W			60W			30W		
Input Watts	121.4W	117.6W	121.2W	59.0W	57.2W	58.9W	30.8W	29.8W	30.7W
Lumens	16577	17208	16879	8689	9020	8847	4575	4749	4658
Efficacy	136.5	146.3	139.3	147.3	157.7	150.2	148.5	159.4	151.7
CRI	83	86	84	84	86	84	85	86	84
Voltage Ratings	120-277V								

AL5/480	3000K	4000K	5000K	3000K	4000K	5000K	3000K	4000K	5000K
Wattage	120W			60W			30W		
Input Watts	120.8W	117.2W	120.7W	60.0W	58.2W	60.0W	29.2W	28.3W	29.2W
Lumens	16982	17746	17454	8789	9184	9033	4209	4398	4326
Efficacy	140.6	151.4	144.6	146.5	157.8	150.6	144.1	155.4	148.2
CRI	84	86	84	85	86	84	84	86	84
Voltage Ratings	480V								

AL5 Field-Adjustable Area Light



PERFORMANCE

AL5S	3000K	4000K	5000K	3000K	4000K	5000K	3000K	4000K	5000K
Wattage	120W			60W			30W		
Input Watts	120.3W	116.2W	120.3W	59.6W	57.6W	59.6W	31.1W	30.0W	31.1W
Lumens	16694	17328	17136	8825	9160	9059	4673	4851	4797
Efficacy	138.8	149.1	142.4	148.1	159	152	150.3	161.7	154.2
CRI	84	85	84	84	85	84	84	85	84
Voltage Ratings	120-277V								

AL5S/480	3000K	4000K	5000K	3000K	4000K	5000K	3000K	4000K	5000K
Wattage	120W			60W			30W		
Input Watts	121.3W	117.6W	121.2W	59.7W	57.9W	59.7W	29.7W	28.8W	29.7W
Lumens	17515	18224	17948	8910	9271	9130	4358	4535	4466
Efficacy	144.4	155	148.1	149.2	160.1	152.9	146.7	157.5	150.4
CRI	84	86	84	85	86	84	84	86	84
Voltage Ratings	480V								

AL5CY/PCTA	3000K	3000K	3000K
Wattage	120W	60W	30W
Input Watts	122.4W	60.2W	31.4W
Lumens	16,042	8,579	4,581
Efficacy	131.1	142.5	145.9
CRI	83	83	83
Voltage Ratings	120-277V		

AL5SCY/PCTA	3000K	3000K	3000K
Wattage	120W	60W	30W
Input Watts	122.2W	59.4W	31.0W
Lumens	15,831	8,309	4,399
Efficacy	129.5	139.9	141.9
CRI	83	84	83
Voltage Ratings	120-277V		

TECHNICAL SPECIFICATIONS

COMPLIANCE

UL Listed

Suitable for wet locations

IP Listing

Ingress protection rating of IP65 for dust and water

DLC Listed

This product family is listed with the DesignLights Consortium (DLC). Individual SKUs within this family may carry either a DLC Standard or DLC Premium qualification. Please refer to the individual product specification sheet or the DLC Qualified Products List (QPL) at designlights.org to confirm the qualification status of a specific SKU prior to specification or purchase.

LED CHARACTERISTICS

LEDs

Long-life, high-efficacy, surface-mount LEDs

Color Uniformity

RAB's range of Correlated Color Temperature follows the guidelines of the American National Standards for Specifications for the Chromaticity of Solid State Lighting (SSL) Products, ANSI C78.377-2024.

FACTORY SETTINGS

Adjustable Wattages:

120/60/30W (60W default)

CCT:

Models with Type V wide distribution: 3000/4000/5000K (4000K default)

Models with Type V concentrated distribution: Static 3000K

TECHNICAL SPECIFICATIONS

OPTICS

IES Classifications

Type V - Produces a wide and uniform 360° pattern that is perfect for large outdoor areas such as parking lots and pathways.

ELECTRICAL

Drivers:

AL5

Constant Current, Class 1, 120-277V, 50/60 Hz
120V: 0.96A, 208V: 0.56A, 240V: 0.48A, 277V: 0.42A

AL5/480

Constant Current, Class 1, 480V, 50/60 Hz
480V: 0.25A

AL5S

Constant Current, Class 1, 120-277V, 50/60 Hz
120V: 0.97A, 208V: 0.56A, 240V: 0.48A, 277V: 0.42A

AL5S/480

Constant Current, Class 1, 480V, 50/60 Hz
480V: 0.25A

AL5CY/PCTA

120V: 0.5A, 208V: 0.32A, 240V: 0.28A, 277V: 0.24A

AL5SCY/PCTA

120V: 0.5A, 208V: 0.32A, 240V: 0.28A, 277V: 0.24A

Dimming Driver:

Dims down to 5%, then off

THD

AL5: 6.5% at 120V, 18.4% at 277V
AL5S: 7.9% at 120V, 17.5% at 277V
AL5CY/PCTA: 60W: 6.5% at 120V, 17.8% at 277V
AL5SCY/PCTA: 60W: 7.7% at 120V, 17.6% at 277V
AL5: 18.7% at 480V
AL5S: 18.9% at 480V

Power Factor:

AL5: 99.4% at 120V, 90.0% at 277V
AL5S: 99.3% at 120V, 90.6% at 277V
AL5CY/PCTA: 60W: 99.4% at 120V, 90.3% at 277V
AL5SCY/PCTA: 60W: 99.4% at 120V, 90.4% at 277V
AL5: 85.6% at 480V
AL5S: 85.2% at 480V

Surge Protection:

10 kV L-L 10kV L/N-G

CONSTRUCTION

Cold Weather Starting

Minimum starting temperature is -40°F (-40°C)

Maximum Ambient Temperature

Suitable for use in up to 104°F (40°C)

Housing

Die-cast aluminum

Mounting

Standard multifunctional arm. Mounts to 2-3/8" tenon and poles with 4" outer diameter.

Lens

Frosted Polycarbonate

Gasket

Ethylene Propylene Diene Monomer (EPDM)

Reflector

White Polyethylene Terephthalate (PET)

BUG rating

120W: B4-U0-G2

60W: B3-U0-G1

30W: B2-U0-G1

Vibration Rating

3G vibration rating per ANSI C136.31

EPA Rating

0.8

Green Technology

Mercury and UV free. RoHS-compliant components.

Finish

Formulated for high durability and long lasting color. Available in bronze, white, black & roadway gray options

CONTROLS

Sensor Port (/SA)

Integrated sensor port allows for simple, quick sensor attachment without the need for fixture modification or additional materials.

Twistlock photocell arm (/PCTA)

7 pin twistlock receptacle that meets NEMA / ANSI C136.41 standard

Please refer to the accessory section for compatible sensors.

OTHER

Warranty

The RAB 5-year, limited warranty covers light output, driver performance and paint finish. RAB's warranty is subject to all terms and conditions found at rablighting.com/warranty.

Lifespan

100,000-hour LED lifespan based on IES LM-80 results and -21 calculations

AL5 Field-Adjustable Area Light



ACCESSORIES



MVS20



MVS20/LCB



MVS50



MVS50/LCB



MVS20B



MVS20B/LCB



MVS50B



MVS50B/LCB



PIR20



PIR20/LCB



PIR40



PIR40/LCB



PIR20B



PIR20B/LCB



PIR40B



PIR40B/LCB

SKU#	UPC	DESCRIPTION
MVS20	192552026017	MVS SENSOR MAX 6M HEIGHT 1P66
MVS20/LCB	192552042253	LC BLUE CONTROLLER 6M HEIGHT WITH INTEGRATED MVS SENSOR
MVS50	192552025997	MVS SENSOR MAX 15M HEIGHT IP65
MVS50/LCB	192552014168	LC BLUE CONTROLLER WITH INTEGRATED MVS SENSOR
MVS20B	192552042291	MVS SENSOR MAX 6M HEIGHT IP65 INDOOR BLACK
MVS20B/LCB	192552042277	LC BLUE CONTROLLER BLACK 6M WITH INTEGRATED MVS SENSOR
MVS50B	192552042314	MVS SENSOR MAX 15M HEIGHT IP65 BLACK
MVS50B/LCB	192552036924	LC BLUE CONTROLLER BLACK WITH INTEGRATED MVS SENSOR
PIR20	192552026024	PIR SENSOR MAX 6M HEIGHT 1P66
PIR20/LCB	192552042246	LC BLUE CONTROLLER 6M HEIGHT WITH INTEGRATED PIR SENSOR
PIR40	192552026000	PIR SENSOR MAX 12M HEIGHT IP66
PIR40/LCB	192552014151	LC BLUE CONTROLLER WITH INTEGRATED PIR SENSOR
PIR20B	192552042284	PIR SENSOR MAX 6M HEIGHT 1P66
PIR20B/LCB	192552042260	LC BLUE CONTROLLER 6M HEIGHT WITH INTEGRATED PIR SENSOR
PIR40B	192552042307	PIR SENSOR MAX 12M HEIGHT IP66 BLACK
PIR40B/LCB	192552036917	LC BLUE CONTROLLER BLACK WITH INTEGRATED PIR SENSOR

AL5 Field-Adjustable Area Light



ACCESSORIES

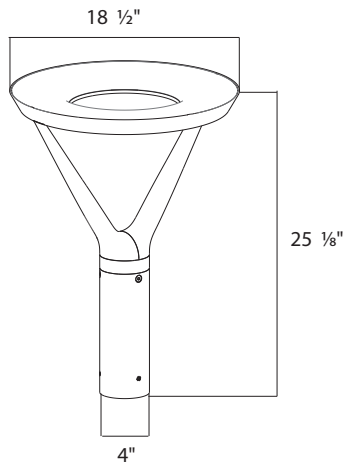


SKU#	UPC	DESCRIPTION
MSR1	192552026055	MULTI SENSOR REMOTE IP20
R-3P-PCT	192552004299	RAB 3 PIN TWISTLOCK PHOTOCELL 120-277V
R-3P-PCT-480V	192552004305	RAB 3 PIN TWISTLOCK PHOTOCELL 480V

DIMENSIONS

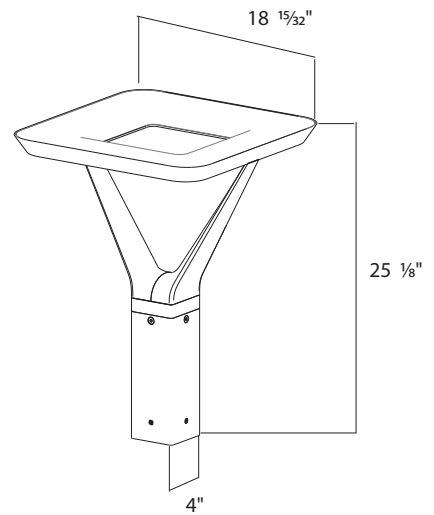
AL5

Weight: 21.6 lbs



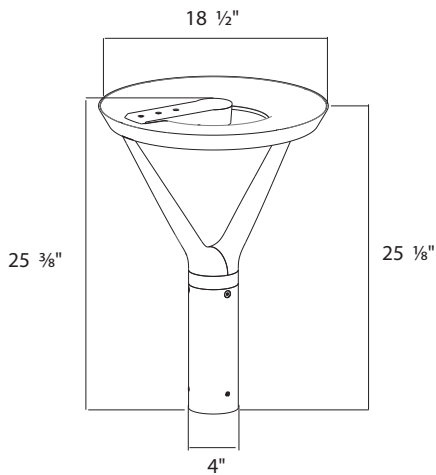
AL5S

Weight: 23.9 lbs



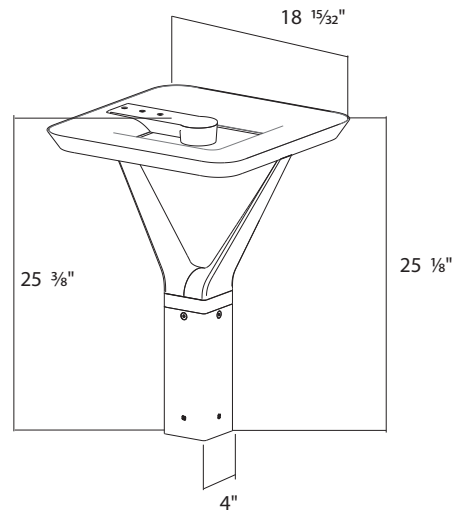
AL5/SA

Weight: 22.1 lbs



AL5S/SA

Weight: 24.8 lbs



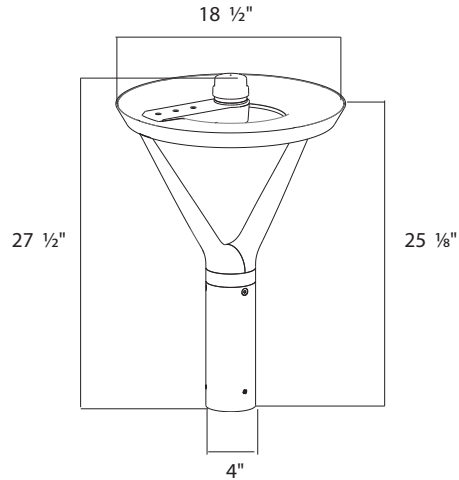
AL5 Field-Adjustable Area Light



DIMENSIONS

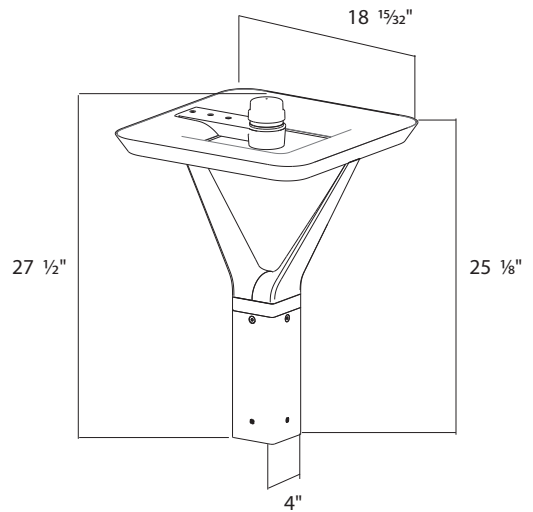
AL5/PCTA and AL5CY/PCTA

Weight: 22.8 lbs



AL5S/PCTA and AL5CY/PCTA

Weight: 25.5 lbs



ORDERING MATRIX

AL5

Family	Shape	Distribution	Size/Wattage	Color Temperature	Finish	Driver	Sensor-Ready Arm			
AL5	<input type="text"/>	<input type="text"/>	<input type="text"/>	<input type="text"/>	<input type="text"/>	<input type="text"/>	<input type="text"/>			
BLANK S	Round Square	BLANK C	Type V Wide Type V* Concentrated	BLANK 120/60/30W	BLANK Y	3000/4000/5000K CCT Adjustable 3000K**	BLANK W B RG	Bronze White Black Roadway Gray	BLANK 120-277V, 0-10V Dimming /SA 480 /PCTA 480V, 0-10V Dimming	BLANK None Motion Sensor Arm 7-pin Receptacle Arm w/Shorting Cap

* C (Type V Concentrated) only available with Y (3000K) color temp, Bronze or Black finish, 120-277V driver, and /PCTA arm

** 3000/4000/5000K adjustable CCT only available on Type V wide distribution

Note: Sensors for arms purchased separately