

# BOA Linear w/Tunable White - Pendant Up/Downlight



2 ft



3 ft



4 ft



8 ft

PROJECT: \_\_\_\_\_

DATE: \_\_\_\_\_

TYPE: \_\_\_\_\_

PREPARED BY: \_\_\_\_\_



RoHS

COMPLIANT

## KEY FEATURES

- Available in 2', 3', 4', 8' with up/down light
- Suspended mount with optional flat or louver lens
- Wireless communication via Bluetooth Mesh with Lightcloud Blue
- SmartShift Ready for circadian and aesthetic lighting profiles
- Battery backup available on 4ft and 8ft models
- 5-Year, No-Compromise Warranty

## Wireless Control using Lightcloud Blue



## PERFORMANCE

Length	Mounting	Light Distribution	Wattage	Lens	Lumens	Efficacy (Lm/W)	Color Temperature	
2'	PENDANT	UP/DOWNLIGHT	20W	FLAT	2,197 - 2,427 lm	118 - 133	Tunable White 2700-6500K*	
				LOUVER	2,231 - 2,586 lm	110 - 127		
3'			30W	FLAT	3,478 - 4,401 lm	115 - 138 lm/W		
				LOUVER	3,124 - 3,568 lm	113 - 129 lm/W		
4'			40W	FLAT	4,816 - 5,315 lm	120 - 134 lm/W		
				LOUVER	4,767 - 5,282 lm	118 - 131 lm/W		
8'				80W	FLAT	8,800 - 10,481 lm		108 - 135 lm/W
					LOUVER	8,978 - 9,971 lm		111 - 124 lm/W

\*Using Lightcloud Blue mobile app or devices

# BOA Linear w/Tunable White - Pendant Up/Downlight

## PERFORMANCE

BOA SMARTSHIFT 2' MODELS, 20W

		2' Pendant, Flat Lens, Up/Down light				
Down/Up%	Model	CCT	Input Watts	Lumens	Efficacy	CRI
100% / 0%	BOAS2	2700K	18.3W	2,332	127.4	91
		3000K	18.3W	2,351	128.5	94
		3500K	18.3W	2,370	129.5	96
		4000K	18.3W	2,389	130.5	97
		5000K	18.3W	2,413	131.9	96
		6500K	18.3W	2,424	132.5	94

		2' Pendant, Flat Lens, Up/Down light				
Down/Up%	Model	CCT	Input Watts	Lumens	Efficacy	CRI
70% / 30%	BOAS2	2700K	18.4W	2,335	126.9	91
		3000K	18.4W	2,354	127.9	94
		3500K	18.4W	2,372	128.9	96
		4000K	18.4W	2,391	129.9	97
		5000K	18.4W	2,415	131.3	96
		6500K	18.4W	2,427	131.9	94

		2' Pendant, Flat Lens, Up/Down light				
Down/Up%	Model	CCT	Input Watts	Lumens	Efficacy	CRI
60% / 40%	BOAS2	2700K	18.4W	2,327	126.5	91
		3000K	18.4W	2,346	127.5	94
		3500K	18.4W	2,364	128.5	96
		4000K	18.4W	2,383	129.5	97
		5000K	18.4W	2,407	130.8	96
		6500K	18.4W	2,418	131.4	94

		2' Pendant, Flat Lens, Up/Down light				
Down/Up%	Model	CCT	Input Watts	Lumens	Efficacy	CRI
50% / 50%	BOAS2	2700K	18.5W	2,326	125.7	91
		3000K	18.5W	2,345	126.8	94
		3500K	18.5W	2,363	127.7	96
		4000K	18.5W	2,382	128.8	97
		5000K	18.5W	2,406	130.1	96
		6500K	18.5W	2,417	130.6	94

		2' Pendant, Flat Lens, Up/Down light				
Down/Up%	Model	CCT	Input Watts	Lumens	Efficacy	CRI
0% / 100%	BOAS2	2700K	18.6W	2,197	118.1	91
		3000K	18.6W	2,215	119.1	94
		3500K	18.6W	2,232	120.0	96
		4000K	18.6W	2,250	121.0	97
		5000K	18.6W	2,273	122.2	96
		6500K	18.6W	2,283	122.7	94

		2' Pendant, Louvered Lens, Up/Down light				
Model	CCT	Input Watts	Lumens	Efficacy	CRI	
BOAS2L	2700K	20.4W	2,355	115.4	94	
	3000K	20.4W	2,384	116.9	96	
	3500K	20.4W	2,413	118.3	96	
	4000K	20.4W	2,448	120.0	95	
	5000K	20.4W	2,486	121.9	94	
	6500K	20.4W	2,515	123.3	93	

		2' Pendant, Louvered Lens, Up/Down light				
Model	CCT	Input Watts	Lumens	Efficacy	CRI	
BOAS2L	2700K	20.4W	2,395	117.4	94	
	3000K	20.4W	2,424	118.8	96	
	3500K	20.4W	2,454	120.3	96	
	4000K	20.4W	2,490	122.1	95	
	5000K	20.4W	2,528	123.9	94	
	6500K	20.4W	2,558	125.4	93	

		2' Pendant, Louvered Lens, Up/Down light				
Model	CCT	Input Watts	Lumens	Efficacy	CRI	
BOAS2L	2700K	20.4W	2,421	118.7	94	
	3000K	20.4W	2,450	120.1	96	
	3500K	20.4W	2,481	121.6	96	
	4000K	20.4W	2,517	123.4	95	
	5000K	20.4W	2,555	125.2	94	
	6500K	20.4W	2,586	126.8	93	

		2' Pendant, Louvered Lens, Up/Down light				
Model	CCT	Input Watts	Lumens	Efficacy	CRI	
BOAS2L	2700K	20.4W	2,380	116.7	94	
	3000K	20.4W	2,409	118.1	96	
	3500K	20.4W	2,439	119.6	96	
	4000K	20.4W	2,474	121.3	95	
	5000K	20.4W	2,512	123.1	94	
	6500K	20.4W	2,542	124.6	93	

		2' Pendant, Louvered Lens, Up/Down light				
Model	CCT	Input Watts	Lumens	Efficacy	CRI	
BOAS2L	2700K	20.3W	2,231	109.9	94	
	3000K	20.3W	2,258	111.2	96	
	3500K	20.3W	2,286	112.6	96	
	4000K	20.3W	2,319	114.2	95	
	5000K	20.3W	2,355	116.0	94	
	6500K	20.3W	2,383	117.4	93	

# BOA Linear w/Tunable White - Pendant Up/Downlight

## PERFORMANCE

BOA SMARTSHIFT 3' MODELS, 30W

3' Pendant, Flat Lens, Up/Down light						
Down/Up%	Model	CCT	Input Watts	Lumens	Efficacy	CRI
100% / 0%	BOAS3	2700K	31.5W	4,235	134.4	91
		3000K	31.8W	4,287	134.8	94
		3500K	31.8W	4,317	135.8	96
		4000K	31.8W	4,342	136.5	97
		5000K	31.8W	4,382	137.8	96
		6500K	31.8W	4,401	138.4	94

3' Pendant, Flat Lens, Up/Down light						
Down/Up%	Model	CCT	Input Watts	Lumens	Efficacy	CRI
70% / 30%	BOAS3	2700K	31.5W	4,127	131.0	91
		3000K	31.8W	4,178	131.4	94
		3500K	31.8W	4,208	132.3	96
		4000K	31.8W	4,232	133.1	97
		5000K	31.8W	4,270	134.3	96
		6500K	31.8W	4,290	134.9	94

3' Pendant, Flat Lens, Up/Down light						
Down/Up%	Model	CCT	Input Watts	Lumens	Efficacy	CRI
60% / 40%	BOAS3	2700K	31.7W	4,087	128.9	91
		3000K	32.0W	4,137	129.3	94
		3500K	32.0W	4,167	130.2	96
		4000K	32.0W	4,191	131.0	97
		5000K	32.0W	4,229	132.2	96
		6500K	32.0W	4,248	132.8	94

3' Pendant, Flat Lens, Up/Down light						
Down/Up%	Model	CCT	Input Watts	Lumens	Efficacy	CRI
50% / 50%	BOAS3	2700K	31.8W	4,073	128.1	91
		3000K	32.1W	4,123	128.4	94
		3500K	32.1W	4,152	129.3	96
		4000K	32.1W	4,176	130.1	97
		5000K	32.1W	4,214	131.3	96
		6500K	32.1W	4,233	131.9	94

3' Pendant, Flat Lens, Up/Down light						
Down/Up%	Model	CCT	Input Watts	Lumens	Efficacy	CRI
0% / 100%	BOAS3	2700K	32.5W	3,748	115.3	91
		3000K	32.8W	3,794	115.7	94
		3500K	32.8W	3,821	116.5	96
		4000K	32.8W	3,843	117.2	97
		5000K	32.8W	3,878	118.2	96
		6500K	32.8W	3,895	118.8	94

3' Pendant, Louvered Lens, Up/Down light					
Model	CCT	Input Watts	Lumens	Efficacy	CRI
BOAS3L	2700K	27.6W	3,331	120.7	94
	3000K	27.6W	3,370	122.1	96
	3500K	27.6W	3,422	124.0	96
	4000K	27.6W	3,454	125.1	95
	5000K	27.6W	3,504	127.0	94
	6500K	27.6W	3,546	128.5	93

3' Pendant, Louvered Lens, Up/Down light					
Model	CCT	Input Watts	Lumens	Efficacy	CRI
BOAS3L	2700K	27.6W	3,351	121.4	94
	3000K	27.6W	3,391	122.9	96
	3500K	27.6W	3,443	124.7	96
	4000K	27.6W	3,475	125.9	95
	5000K	27.6W	3,525	127.7	94
	6500K	27.6W	3,568	129.3	93

3' Pendant, Louvered Lens, Up/Down light					
Model	CCT	Input Watts	Lumens	Efficacy	CRI
BOAS3L	2700K	27.6W	3,332	120.7	94
	3000K	27.6W	3,371	122.1	96
	3500K	27.6W	3,423	124.0	96
	4000K	27.6W	3,455	125.2	95
	5000K	27.6W	3,505	127.0	94
	6500K	27.6W	3,548	128.6	93

3' Pendant, Louvered Lens, Up/Down light					
Model	CCT	Input Watts	Lumens	Efficacy	CRI
BOAS3L	2700K	27.6W	3,293	119.3	94
	3000K	27.6W	3,332	120.7	96
	3500K	27.6W	3,383	122.6	96
	4000K	27.6W	3,415	123.7	95
	5000K	27.6W	3,464	125.5	94
	6500K	27.6W	3,506	127.0	93

3' Pendant, Louvered Lens, Up/Down light					
Model	CCT	Input Watts	Lumens	Efficacy	CRI
BOAS3L	2700K	27.7W	3,124	112.8	94
	3000K	27.7W	3,161	114.1	96
	3500K	27.7W	3,209	115.8	96
	4000K	27.7W	3,240	117.0	95
	5000K	27.7W	3,286	118.6	94
	6500K	27.7W	3,326	120.1	93

# BOA Linear w/Tunable White - Pendant Up/Downlight

## PERFORMANCE

BOA SMARTSHIFT 4' MODELS, 40W

		3' Pendant, Flat Lens, Up/Down light				
Down/Up%	Model	CCT	Input Watts	Lumens	Efficacy	CRI
100% / 0%	BOAS4	2700K	39.2W	5,061	129.1	95
		3000K	39.2W	5,099	130.1	96
		3500K	39.3W	5,150	131.0	96
		4000K	39.4W	5,186	131.6	96
		5000K	39.5W	5,245	132.8	96
		6500K	39.6W	5,286	133.5	95

		3' Pendant, Flat Lens, Up/Down light				
Down/Up%	Model	CCT	Input Watts	Lumens	Efficacy	CRI
70% / 30%	BOAS4	2700K	39.6W	5,088	128.5	95
		3000K	39.6W	5,127	129.5	96
		3500K	39.7W	5,177	130.4	96
		4000K	39.8W	5,214	131.0	96
		5000K	39.9W	5,273	132.2	96
		6500K	40.0W	5,315	132.9	95

		3' Pendant, Flat Lens, Up/Down light				
Down/Up%	Model	CCT	Input Watts	Lumens	Efficacy	CRI
60% / 40%	BOAS4	2700K	39.7W	5,063	127.5	94
		3000K	39.7W	5,101	128.5	96
		3500K	39.8W	5,152	129.4	96
		4000K	39.9W	5,188	130.0	96
		5000K	40.0W	5,247	131.2	96
		6500K	40.1W	5,288	131.9	95

		3' Pendant, Flat Lens, Up/Down light				
Down/Up%	Model	CCT	Input Watts	Lumens	Efficacy	CRI
50% / 50%	BOAS4	2700K	39.9W	5,034	126.2	94
		3000K	39.9W	5,072	127.1	96
		3500K	40.0W	5,122	128.1	96
		4000K	40.1W	5,158	128.6	96
		5000K	40.2W	5,217	129.8	96
		6500K	40.3W	5,258	130.5	95

		3' Pendant, Flat Lens, Up/Down light				
Down/Up%	Model	CCT	Input Watts	Lumens	Efficacy	CRI
0% / 100%	BOAS4	2700K	40.3W	4,816	119.5	94
		3000K	40.3W	4,852	120.4	96
		3500K	40.4W	4,900	121.3	96
		4000K	40.5W	4,934	121.8	96
		5000K	40.6W	4,991	122.9	96
		6500K	40.7W	5,030	123.6	95

		3' Pendant, Louvered Lens, Up/Down light				
Model	CCT	Input Watts	Lumens	Efficacy	CRI	
BOAS4L	2700K	40.2W	4,927	122.6	94	
	3000K	40.3W	4,998	124.0	96	
	3500K	40.2W	5,058	125.8	96	
	4000K	40.3W	5,111	126.8	95	
	5000K	40.2W	5,184	129.0	94	
	6500K	40.2W	5,244	130.4	93	

		3' Pendant, Louvered Lens, Up/Down light				
Model	CCT	Input Watts	Lumens	Efficacy	CRI	
BOAS4L	2700K	40.4W	4,963	122.8	94	
	3000K	40.5W	5,034	124.3	96	
	3500K	40.4W	5,095	126.1	96	
	4000K	40.5W	5,148	127.1	95	
	5000K	40.4W	5,222	129.3	94	
	6500K	40.4W	5,282	130.7	93	

		3' Pendant, Louvered Lens, Up/Down light				
Model	CCT	Input Watts	Lumens	Efficacy	CRI	
BOAS4L	2700K	40.4W	4,963	122.8	94	
	3000K	40.5W	5,034	124.3	96	
	3500K	40.4W	5,095	126.1	96	
	4000K	40.5W	5,148	127.1	95	
	5000K	40.4W	5,222	129.3	94	
	6500K	40.4W	5,282	130.7	93	

		3' Pendant, Louvered Lens, Up/Down light				
Model	CCT	Input Watts	Lumens	Efficacy	CRI	
BOAS4L	2700K	40.4W	4,940	122.3	94	
	3000K	40.5W	5,011	123.7	96	
	3500K	40.4W	5,071	125.5	96	
	4000K	40.5W	5,124	126.5	95	
	5000K	40.4W	5,198	128.7	94	
	6500K	40.4W	5,258	130.1	93	

		3' Pendant, Louvered Lens, Up/Down light				
Model	CCT	Input Watts	Lumens	Efficacy	CRI	
BOAS4L	2700K	40.3W	4,767	118.3	94	
	3000K	40.4W	4,836	119.7	96	
	3500K	40.3W	4,893	121.4	96	
	4000K	40.4W	4,945	122.4	95	
	5000K	40.3W	5,016	124.5	94	
	6500K	40.3W	5,074	125.9	93	

# BOA Linear w/Tunable White - Pendant Up/Downlight

## PERFORMANCE

BOA SMARTSHIFT 8' MODELS, 80W

3' Pendant, Flat Lens, Up/Down light						
Down/Up%	Model	CCT	Input Watts	Lumens	Efficacy	CRI
100% / 0%	BOAS8	2700K	77.6W	10,071	129.8	91
		3000K	77.5W	10,127	130.7	94
		3500K	77.6W	10,223	131.7	96
		4000K	77.5W	10,293	132.8	97
		5000K	77.6W	10,379	133.8	96
		6500K	77.5W	10,481	135.2	94

3' Pendant, Flat Lens, Up/Down light						
Down/Up%	Model	CCT	Input Watts	Lumens	Efficacy	CRI
70% / 30%	BOAS8	2700K	79.0W	9,841	124.6	91
		3000K	78.9W	9,896	125.4	94
		3500K	79.0W	9,990	126.5	96
		4000K	78.9W	10,058	127.5	97
		5000K	79.0W	10,142	128.4	96
		6500K	78.9W	10,242	129.8	94

3' Pendant, Flat Lens, Up/Down light						
Down/Up%	Model	CCT	Input Watts	Lumens	Efficacy	CRI
60% / 40%	BOAS8	2700K	79.3W	9,745	122.9	91
		3000K	79.2W	9,799	123.7	94
		3500K	79.3W	9,892	124.7	96
		4000K	79.2W	9,960	125.8	97
		5000K	79.3W	10,043	126.6	96
		6500K	79.2W	10,142	128.1	94

3' Pendant, Flat Lens, Up/Down light						
Down/Up%	Model	CCT	Input Watts	Lumens	Efficacy	CRI
50% / 50%	BOAS8	2700K	79.8W	9,740	122.1	91
		3000K	79.7W	9,794	122.9	94
		3500K	79.8W	9,887	123.9	96
		4000K	79.7W	9,955	124.9	97
		5000K	79.8W	10,038	125.8	96
		6500K	79.7W	10,137	127.2	94

3' Pendant, Flat Lens, Up/Down light						
Down/Up%	Model	CCT	Input Watts	Lumens	Efficacy	CRI
0% / 100%	BOAS8	2700K	81.6W	8,800	107.8	91
		3000K	81.5W	8,849	108.6	94
		3500K	81.6W	8,933	109.5	96
		4000K	81.5W	8,994	110.4	97
		5000K	81.6W	9,069	111.1	96
		6500K	81.5W	9,159	112.4	94

3' Pendant, Louvered Lens, Up/Down light					
Model	CCT	Input Watts	Lumens	Efficacy	CRI
BOAS8L	2700K	80.7W	9,344	115.8	94
	3000K	80.8W	9,482	117.4	96
	3500K	80.8W	9,609	118.9	96
	4000K	80.8W	9,697	120.0	95
	5000K	80.8W	9,849	121.9	94
	6500K	80.7W	9,963	123.5	93

3' Pendant, Louvered Lens, Up/Down light					
Model	CCT	Input Watts	Lumens	Efficacy	CRI
BOAS8L	2700K	81.0W	9,351	115.4	94
	3000K	81.1W	9,490	117.0	96
	3500K	81.1W	9,616	118.6	96
	4000K	81.1W	9,705	119.7	95
	5000K	81.1W	9,856	121.5	94
	6500K	81.0W	9,971	123.1	93

3' Pendant, Louvered Lens, Up/Down light					
Model	CCT	Input Watts	Lumens	Efficacy	CRI
BOAS8L	2700K	81.1W	9,349	115.3	94
	3000K	81.2W	9,488	116.8	96
	3500K	81.2W	9,614	118.4	96
	4000K	81.2W	9,702	119.5	95
	5000K	81.2W	9,854	121.4	94
	6500K	81.1W	9,969	122.9	93

3' Pendant, Louvered Lens, Up/Down light					
Model	CCT	Input Watts	Lumens	Efficacy	CRI
BOAS8L	2700K	81.1W	9,311	114.8	94
	3000K	81.2W	9,449	116.4	96
	3500K	81.2W	9,575	117.9	96
	4000K	81.2W	9,663	119.0	95
	5000K	81.2W	9,814	120.9	94
	6500K	81.1W	9,928	122.4	93

3' Pendant, Louvered Lens, Up/Down light					
Model	CCT	Input Watts	Lumens	Efficacy	CRI
BOAS8L	2700K	81.0W	8,978	110.8	94
	3000K	81.1W	9,111	112.3	96
	3500K	81.1W	9,233	113.8	96
	4000K	81.1W	9,317	114.9	95
	5000K	81.1W	9,463	116.7	94
	6500K	81.0W	9,573	118.2	93

# BOA Linear w/Tunable White - Pendant Up/Downlight

## TECHNICAL SPECIFICATIONS

### COMPLIANCE

#### UL Listing

UL Listed, UL Classified

#### Environment

Suitable for use indoors in dry and damp environments.

#### IESNA LM-79 & LM-80 Testing

RAB LED luminaires and LED components have been tested by an independent laboratory in accordance with IESNA LM-79 and LM-80

#### FCC Compliant

Complies with part 15 of the FCC Rules

#### California Energy Commission (CEC) Status

Lawful for sales in California

#### IC Rated

No

#### Air Tight

No

#### Energy Star Approved

No

#### DLC Listed

No

#### California Title 20

No

#### California Title 24

No

#### RoHS

Mercury and UV free. RoHS-compliant components.

### CONSTRUCTION

#### Operating Temperature

-4°F to 104°F (-20°C to 40°C)

#### Length

2', 3', 4', 8'

#### Shape

Linear

#### Finish

Black, White, Silver

Formulated for high durability and long-lasting color

#### Endcap Material

Polycarbonate and aluminum

#### Lens

Polycarbonate frosted flat lens or polycarbonate reflective louvers

#### Reflector

Polyethylene Terephthalate (PET)

#### Enclosure Material

Aluminum

### INSTALLATION

#### Mounting

Pendant mount includes 94" of aircraft cable with cable grippers for easy adjustment after installation

#### Continuous Run

No, for continuous runs consider the BOA Field-Adjustable Linear models with Lightcloud Blue

### ELECTRICAL

#### Drivers:

Constant Current, Class 2, 120-277V, 50/60 Hz,

MODEL#	AMPS			
	120V	208V	240V	277V
BOAS2	0.15 A	0.1 A	0.08 A	0.07 A
BOAS3	0.27 A	0.15 A	0.13 A	0.12 A
BOAS4	0.33 A	0.19 A	0.17 A	0.15 A
BOAS8	0.66 A	0.38 A	0.33 A	0.3 A
BOAS2L	0.17 A	0.11 A	0.09 A	0.08 A
BOAS3L	0.23 A	0.15 A	0.13 A	0.11 A
BOAS4L	0.34 A	0.2 A	0.17 A	0.15 A
BOAS8L	0.68 A	0.39 A	0.34 A	0.3 A

#### Input Wattage

2 ft: 20W

3 ft: 30W

4 ft: 40W

8 ft: 80W

#### THD

<25%

#### Power Factor

>0.87

#### Flicker

<30%

#### Emergency Operation

Compatible with emergency battery backup, but has not been tested for UL924 certification. Lightcloud Blue automations could still operate during emergency operation.

#### Dimmable

Yes, up & down light is dimmable down to 5% with Lightcloud Blue mobile app and devices.

This product will not operate properly when connected to a standard TRIAC/ELV or 0-10V dimmer or dimming control.

## TECHNICAL SPECIFICATIONS

### LED CHARACTERISTICS

#### LEDs

Long-life, high-efficacy, discrete, surface-mount LEDs

#### Color Temperature

Default: 4000K

Tunable White 2700 - 6500K

Adjustable using the Lightcloud Blue mobile app

#### R9 Value

High color performance with R9 greater than 50

#### Color Rendering Index (CRI)

>90

#### Beam Angle

110°±5°

#### Light Distribution

Up, Down or Up/Down

Selectable via the Lightcloud Blue mobile app.

#### Color Consistency

<5-step MacAdam Ellipse binning to achieve consistent fixture-to-fixture color

### LIGHTCLOUD BLUE

Lightcloud Blue is a Bluetooth® Mesh lighting control system designed for fast setup and flexibility. Install quickly with no gateways, hubs, or additional control wiring. Start with a single device and easily scale to control entire buildings.

Learn more at [rablighting.com/lcb](http://rablighting.com/lcb)

DLC system - N1XMLOEATBA (Interior); NHCZ2BIA17L (Exterior)

#### Gateway Required

No

#### Communication Protocol

Bluetooth Mesh

#### SmartShift

SmartShift Ready to easily configure automated lighting profiles to automatically adjust brightness and color temperature for circadian and aesthetic needs.

#### Light Shows

No, this product is not compatible with dynamic color changing Light Shows. Contact RAB for more information.

#### Remote Control Access

Yes, with additional devices, sold separately. Small projects use Nano to link with Amazon Alexa or Google Home for wireless control using those apps. Larger projects require one XDIM Bridge per Area plus a Gateway for full remote access via Lightcloud web portal or mobile app.

#### Range

Indoor:

Up to 60 feet between standard building materials. Building materials such as brick, concrete, and steel construction may require additional Lightcloud Blue devices to extend around an obstruction; Up to 200 feet clear line of sight.

Outdoor:

Up to 60 feet clear line of sight; Up to 18 feet around corners

#### Spacing Criteria

Lightcloud Blue devices should be placed within the specified range to communicate within the Bluetooth Mesh network.

### OCCUPANCY SENSORS

**Occupancy Sensor:** Integrated Passive Infrared (PIR) or Microwave (MVS)

#### Default Settings:

Motion Sensitivity: High

Brightness when triggered : 100%

Hold time: 20 minutes

Standby to dim: 20%

Standby time: 1 minute

When vacant: Off

Once paired to Lightcloud Blue, the sensor will be disabled. Sensor settings can be adjusted using the mobile app.

#### Adjustable Sensor Settings:

Yes, using the Lightcloud Blue mobile app.

#### Sensing Type:

Sensors can be configured for Occupancy, Vacancy, Daylight Harvesting and Photocell.

#### Photocell

Yes, configurable using Lightcloud Blue mobile app

#### Daylight Harvesting:

Continuous: Dim levels will continuously adjust based on the Target Light Level set in the Lightcloud Blue mobile app.

**Max Mounting Height:** 8 to 12 feet

**Detection Range:** 20 ft. diameter at 9 ft. mounting height

### OTHER

#### Warranty

The RAB 5-year, limited warranty covers light output, driver performance and paint finish. RAB's warranty is subject to all terms and conditions found at [rablighting.com/warranty](http://rablighting.com/warranty).

#### Lifespan

100,000-hours LED Lifespan based on IES LM-80 results and TM-21 calculations

#### Compatible Products

Compatible with other Lightcloud Blue products to expand system features.

[https://www.rablighting.com/controls/LIGHTCLOUD\\_BLUE\\_DEVICES](https://www.rablighting.com/controls/LIGHTCLOUD_BLUE_DEVICES)

#### Compatible Accessories

BOASS-WM (Wall Mount Kit)

# BOA Linear w/Tunable White - Pendant Up/Downlight **RAB**

## WIRELESS NETWORK LIGHTING CONTROLS

Lightcloud products offer integrated network lighting control for a truly wireless solution that allows you to manage RAB's various compatible devices. With RAB's patented Rapid Provisioning technology, devices can be quickly and easily commissioned for residential and commercial applications. Each device can communicate with other devices in the mesh network. With two Lightcloud systems to choose from, it's easy to implement controls anywhere.

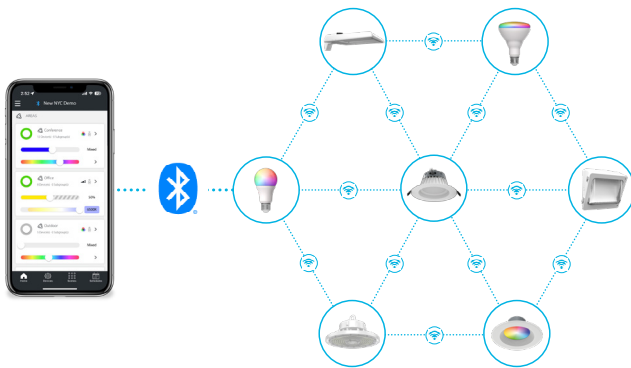


Learn more about Lightcloud wireless networked lighting controls.

Design Lights Consortium Network Lighting Controls:

- Interior Applications: N1XMLOEATB
- Exterior Applications: NHCZ2BIA17L

## Lightcloud®



- Utilizes Bluetooth Mesh, eliminating the need for a Gateway or Hub
- Ideal for applications that need basic wireless control such as ON/OFF, dimming, color tuning, Schedules, and SmartShift
- Download the Lightcloud Blue mobile app for iOS or Android devices
- Add the XDIM/BRIDGE/LCB and LCGATEWAY to adopt premium Lightcloud Enterprise features

### SIMPLE SETUP



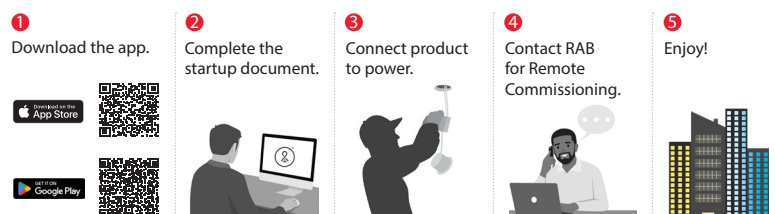
Learn more about [Lightcloud Blue](#). Visit the [Lightcloud Blue Resources](#) page for more information on how to use the system.

## Lightcloud®



- Utilizes a secure cellular and Zigbee mesh network that requires a Gateway or Hub (sold separately)
- Offers premium features like remote commissioning, demand response, BACnet integration, and more
- Download the Lightcloud Enterprise mobile app for iOS or Android devices

### SIMPLE SETUP



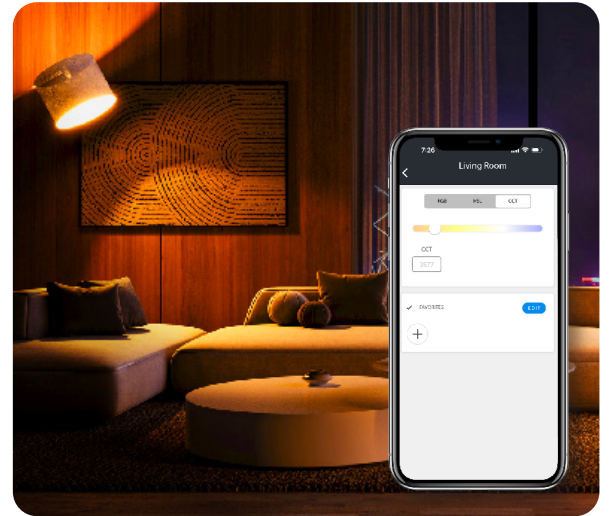
Learn more about [Lightcloud Enterprise](#). Visit the [Lightcloud Enterprise Resources](#) page for more information on how to use the system.

# BOA Linear w/Tunable White - Pendant Up/Downlight **RAB**

## COLOR TUNING

Products available with color tuning options offer endless possibilities to enhance any application. Create Scenes and Schedules from the Lightcloud interface and choose the desired color temperature (2200K-6500K\*) or up to 16+ million colors\*. [Explore RGB color-tuning products.](#)

\*Color options may vary by product, see individual product specification sheet for more details.



SmartShift is the first lighting technology that can promote better sleep, health and happiness. Once installed alongside a Lightcloud control system, it automatically tunes the color and intensity of indoor lights throughout the day, mimicking the sun's changing light as it rises and sets. [Learn more about SmartShift.](#)

SmartShift™



2700K

6500K

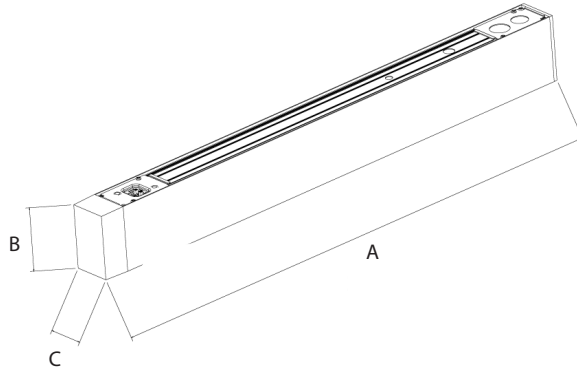
2700K

# BOA Linear w/Tunable White - Pendant Up/Downlight



## DIMENSIONS

BOA - Pendant Mount



### WEIGHT

PENDANT MOUNT MODEL	2 ft	3 ft	4 ft	8 ft
DOWNLIGHT FLAT LENS	2.78 lbs	3.31 LBS	4.59 lbs	8.20 lbs
DOWNLIGHT LOUVER LENS	2.89 lbs	3.75 LBS	4.67 lbs	8.73 lbs
UP/DOWNLIGHT FLAT LENS	3.02 lbs	3.64 LBS	4.85 lbs	8.75 lbs
UP/DOWNLIGHT LOUVER LENS	3.17 lbs	4.08 LBS	5.05 lbs	9.28lbs

### DIMENSIONS (PENDANT MOUNT MODELS)

MODEL#	A	B	C
BOAS2	24 15/16"	3"	1 3/4"
BOAS3	36 1/2"	3"	1 3/4"
BOAS4	48 9/16"	3"	1 3/4"
BOAS8	95 13/16"	3"	1 3/4"

## ACCESSORIES

BOAS-WM



ACCESSORY	UPC	DESCRIPTION
BOAS-WM	192552056298	BOA TUNABLE WHITE ACC WALL MOUNT KIT

## ORDERING MATRIX

### BOAS Tunable White - Pendant Up/Down Light

Family	Size/Wattages	Mount	Lens	Light Output	Color Temp	Driver	Finish	Controls	Battery Backup
<b>BOAS</b>									
2	2 ft (20W)	BLANK Pendant	BLANK Flat	BLANK Uplight/Downlight	BLANK Tunable White 2700-6500K	BLANK 120-277V	W White	/LCBS Lightcloud®	BLANK None
3	3 ft (30W)		L Louvers				S Silver	Blue PIR Sensor	/E Battery Backup <sup>1</sup>
4	4 ft (40W)						B Black	/LCBS/MVS Lightcloud®	
8	8 ft (80W)							Blue MVS Sensor	

<sup>1</sup> Only available on 4 ft and 8 ft models only