

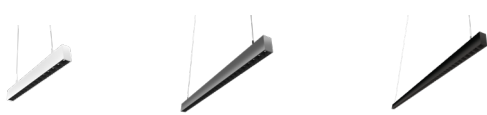
# BOA<sup>®</sup> Field-Adjustable Linear Lighting



BOA PENDANT Mount / Downlight with Flat Lens:



BOA PENDANT Mount / Downlight with Louver Lens:



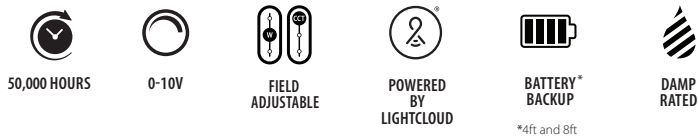
BOA PENDANT Mount Up/Downlight with flat lens or Louvers:



BOA Recessed Light with Flat Lens (White finish only)



BOA Recessed Light with Louver Lens (White finish only)



PROJECT: \_\_\_\_\_

DATE: \_\_\_\_\_

TYPE: \_\_\_\_\_

PREPARED BY: \_\_\_\_\_



## KEY FEATURES

- Models available with selectable wattages and uplight/downlight distributions  
2 Ft: 20/14/12/10/5W  
4 Ft: 40/28/24/20/10W  
8 Ft: 80/56/48/40/20W
- Field-adjustable CCT: 3000/3500/4000K
- Voltage rating 120-277V
- Available with smart controls. Multi-sensor remote sold separately
- Battery backup available on 4ft and 8ft models
- Ceiling and wall mount options
- Quick-link connectors available for easy, continuous runs without any tools
- All models are 90CRI
- 5-year, limited warranty

## TECHNICAL SPECIFICATIONS

### COMPLIANCE

#### UL Listed

Suitable for damp locations.

#### IESNA LM-79 & LM-80 Testing

RAB LED luminaires and LED components have been tested by an independent laboratory in accordance with IESNA LM-79 and LM-80

#### DLC Listed

This product is on the Design Lights Consortium (DLC) Qualified Products List and is eligible for rebates from DLC Member Utilities. Designed to meet DLC 5.1 requirements.

#### DLC Listed (Continued)

This product is listed by Design Lights Consortium (DLC) as an ultraefficient premium product that qualifies for the highest tier of rebates from DLC Member Utilities. Designed to meet DLC 5.1 requirements.

MODEL#	DLC ID (Standard)	MODEL#	DLC ID (Premium)
BOA2P	S-95XUYR	BOA2PL	S-02DC4Z
BOA2PU	S-7A8SOF	BOA2PLU	S-30EBHO
BOA2R	S-W40K85	BOA2RL	S-0NGT4K
BOA4P	S-1IRPU3	BOA4PL	S-LPY6IQ
BOA4PU	S-5VT09J	BOA4PLU	S-YNIV0R
BOA4R	S-KYOL8M	BOA4RL	S-3NCQEA
BOA8P	S-G9IVDP	BOA8PL	S-CFRH2S
BOA8PU	S-T5KL7F	BOA8PLU	S-FH3G1W
BOA8R	S-RZ60V9	BOA8RL	S-7D0S69

### CONSTRUCTION

#### Cold Weather Starting

The minimum starting temperature is -20°C (-4°F)

#### Maximum Ambient Temperature

Suitable for use in up to 40°C (104°F)

#### Mounting

Ceiling and wall mount

#### Housing

Aluminum

#### Lens

Polycarbonate frosted flat lens or polycarbonate reflective louvers

#### Reflector

Polyethylene Terephthalate (PET)

#### Finish

Formulated for high durability and long-lasting color

#### Green Technology

Mercury and UV free. RoHs-compliant components.

### LED CHARACTERISTICS

#### LEDs

Long-life, high-efficacy, discrete, surface-mount LEDs

#### Color Uniformity

RAB's range of Correlated Color Temperature follows the guidelines of the American National Standard for Specifications for the Chromaticity of Solid State Lighting (SSL) Products, ANSI C78.377-2017.

## TECHNICAL SPECIFICATIONS

### ELECTRICAL

#### Drivers:

Constant Current, Class 2, 120-277V, 50/60 Hz,

MODEL (DOWNLIGHT) /WATTAGE	AMPS			
	120V	208V	240V	277V
BOA 2 ft				
20W	0.17A	0.10A	0.09A	0.08A
14W	0.12A	0.07A	0.06A	0.05A
12W	0.10A	0.06A	0.05A	0.05A
10W	0.09A	0.06A	0.05A	0.04A
5W	0.05A	0.03A	0.02A	0.02A
BOA 4 ft				
40W	0.34A	0.20A	0.18A	0.15A
28W	0.24A	0.15A	0.12A	0.11A
24W	0.20A	0.12A	0.10A	0.09A
20W	0.17A	0.10A	0.09A	0.08A
10W	0.09A	0.06A	0.05A	0.05A
BOA 8 ft				
80W	0.67A	0.40A	0.34A	0.30A
56W	0.48A	0.27A	0.24A	0.21A
48W	0.40A	0.24A	0.20A	0.18A
40W	0.34A	0.20A	0.18A	0.15A
20W	0.17A	0.10A	0.09A	0.08A

MODEL (UP/DOWNLIGHT)/WATTAGE	AMPS			
	120V	208V	240V	277V
BOA 2 ft				
20W	0.17A	0.10A	0.09A	0.08A
10W	0.09A	0.06A	0.05A	0.05A
BOA 4 ft				
40W	0.34A	0.20A	0.18A	0.15A
20W	0.17A	0.10A	0.09A	0.08A
BOA 4 ft				
80W	0.67A	0.40A	0.34A	0.30A
40W	0.34A	0.20A	0.18A	0.15A

#### THD:

BOA2: 3.37% at 120V, 2.15% at 277V

BOA4: 2.80% at 120V, 3.03% at 277V

BOA8: 3.26% at 120V, 11.62% at 277V

#### Power Factor:

BOA2: 95.6% at 120V, 99.8% at 277V

BOA4: 99.9% at 120V, 97.7% at 277V

BOA8: 99.9% at 120V, 96.1% at 277V

#### Surge Protection

2kV

#### Battery Backup Light Loss Factor:

Powers the fixture for a minimum of 90 minutes in the event of a power failure

Note: All values are typical (tolerance +/- 10%)

## TECHNICAL SPECIFICATIONS

### LIGHTCLOUD

#### Lightcloud Controller Installed:

- Integrated/embedded networked lighting control
- Luminaire-level lighting control
- Fixture, Zone, and plug-load control from one powerful device
- LLLC - Capable of switching, 0-10V dimming, power/energy monitoring
- Can also be used to extend the range of Lightcloud
- Mesh network communication protocols
- Offers the capability to set the maximum light output to a less-than-maximum state of an individual luminaire at the time of installation or commissioning. The High-End Trim functionality is field reconfigurable via the Lightcloud mesh network communication protocols.
- The Lightcloud Controller can be attached to the fixture, junction box, or electrical panel
- DLC system - N1XMLOEATBA
- Communication Protocol: Zigbee
- Line of Sight: 1,000 feet
- Obstructions: 100 feet

### LIGHTCLOUD BLUE

#### Lightcloud Blue Installed

Lightcloud Blue is a Bluetooth Mesh wireless lighting control system that allows you to control RAB's various compatible devices. With RAB's patent-pending Rapid Provisioning technology, devices can be quickly and easily commissioned for residential and large commercial applications using the Lightcloud Blue mobile app. Each device in a system can communicate with any other device, eliminating the need for a Gateway or Hub and maximizing the control system's reach.

DLC system - N1XMLOEATBA

Learn more at [www.lightcloud.com](http://www.lightcloud.com)

#### Gateway Required

No

#### Communication Protocol

Bluetooth Mesh

#### Range

Up to 60 feet between standard building materials

Up to 200 feet clear line of sight

#### Spacing Criteria

Lightcloud Blue devices should be placed within the specified range to communicate within the Bluetooth Mesh network.

#### Factory Reset

Method 1: Delete from App

Open the app and access the device settings for the paired device. Be sure that the device is online and select 'Delete'. The device will flash on/off 5 times and return to full brightness.

Method 2: Manual

Locate the device identification button at the top of the Controller under the Lightcloud logo. Press and hold this button for 10s or until the indicator light begins flashing red. If the Controller is attached to a fixture, the fixture will also flash on/off 5x.

#### Status Indicator

The status indicator light is located around the circumference of the top of the Controller.

Solid Green - Nano is paired to the Lightcloud Blue app

Flashing Red - Nano has been restored to default factory settings

### LIGHTCLOUD BLUE (CONTINUED)

#### Device Identification Button

Located at the top of the controller under the Lightcloud logo.

Once the Controller has been provisioned to the Lightcloud Blue mobile app this button offers the following functionality:

- Press once to rapid identify this device in the Lightcloud Blue mobile app
- Press twice to toggle circuit on and off
- Press twice and hold to set dim level
- Press and hold for 10s to reset the device to factory settings and into pairing mode

#### Sensor Connection Type

RJ09

#### Max Mounting Height

8 to 12 feet

#### Detection Range

20 ft. diameter at 9 ft. mounting height

#### Default Setting

Uncommissioned State:

Sensor Status: Enabled

Motion Sensitivity: High

Brightness when triggered : 100%

Hold time: 1 minute

Standby to dim: 20%

Standby time: 1 minute

When vacant: Off

Commissioned State:

Sensor Status: Disabled, once enabled the following default are set.

Motion Sensitivity: High

Brightness when triggered: Last on status

Hold time: 20 minutes

When vacant: Off

#### Sensor Type

Passive Infrared

#### Sensing Type

Occupancy or Vacancy

#### Sensor Sensitivity

Low/Medium/High

#### Occupied Actions

On or On at a Dim Level

#### Vacant Options

Off or On at a Dim Level

#### Occupancy Timeout

1 minute to 240 minutes

#### Daylight Sensing

The sensor will determine to trigger the light(s) on or not based on the daylight threshold level set in the Lightcloud Blue mobile app.

#### Daylight Threshold

150 lux to 1500 lux

## TECHNICAL SPECIFICATIONS

### MICROWAVE OCCUPANCY SENSOR W/DAYLIGHT SENSING, MULTI-FUNCTION SENSOR (OPTIONAL)

- Operating Voltage: 12V DC
- Operating Current:  $\leq 25\text{mA}$
- Detection Area: 25%/50%/75%/100%
- Maximum Mounting Height: 20 ft
- Customizable Detection Area: 10, 50, 75 or 100%
- Hold Time : 5s, 30s, 1min, 3min, 5min, 10min, 20min, 30min
- Cut-Off Period: 0s/10s/30s/1min/5min/10min/30min/+  $\infty$
- Cut-Off Dimming level: 10, 20, 30, 50%
- Cut-Off Power:  $\leq 0.5\text{W}$
- Daylight Threshold: 2Lux/10Lux/30Lux/50Lux/80Lux/120Lux/Disable
- Sensor Principle: High Frequency
- Microwave Frequency: 5.8GHz +/- 75MHz
- Microwave Power:  $< 0.3\text{mW}$
- Max Detection Range: 46 ft.
- Operating Temperature:  $-20^{\circ}\text{C}$  to  $+60^{\circ}\text{C}$  ( $-4^{\circ}\text{F}$  to  $+140^{\circ}\text{F}$ )
- Remote Control: Adjust settings using remote control (catalog# MSR1). Only available with 0-10V dimming driver options.

### PIR SENSOR

- Brightness: 0%-100%/Quick setting: 70%/80%/90%/100% (factory setting 100%)
- Hold Time: 10s/1min/10min/30min (factory setting 1 Minute)
- Daylight: 10Lux/30Lux/50Lux/100Lux/Disable (factory default Disabled)
- Sensitivity: factory setting 100%
- Stand-By Dimming Level: 10%/20%/30% / 50% (factory setting 20%)
- Stand-By Time: 1min/30min/60min/+ $\infty$  (factory setting 1 Minute)
- Operating Voltage:  $12 \pm 2\text{V DC}$
- Operating Current: 30mA
- Output: DIM 0-10V
- Stand-By Power:  $< 0.5\text{W}$
- Lux On-Off: Adopted dual PD technology
- Detection Angle:  $\leq 120^{\circ}$  (wall mounted)  $360^{\circ}$  (ceiling mounted)
- Control Line: Black White 12V+ ; Purple: DIM+ ; Pink GND/DIM
- Mounting Height: Max 6M (ceiling mounted)
- Detection Range: Max 8m (ceiling mounted) Max 6m (wall mounted)
- Operating Temperature:  $-30^{\circ}\text{C}$  to  $60^{\circ}\text{C}$  ( $-22^{\circ}\text{F}$  to  $140^{\circ}\text{F}$ )

### PERFORMANCE

#### Lifespan

50,000-hours LED Lifespan based on IES LM-80 results and TM-21 calculations

#### OTHER

#### Warranty

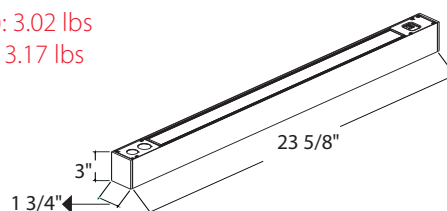
The RAB 5-year, limited warranty covers light output, driver performance and paint finish. RAB's warranty is subject to all terms and conditions found at [rablighting.com/warranty](http://rablighting.com/warranty).

## DIMENSIONS

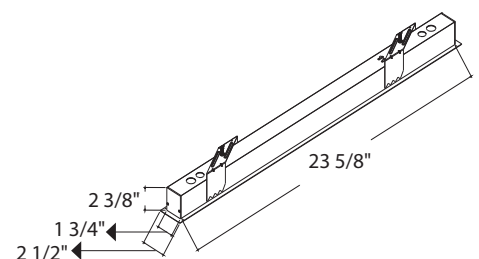
### BOA2

#### Weights:

- PENDANT Mount Downlight (Flat lens): 2.78 lbs
- PENDANT Mount Downlight (Louver): 2.89 lbs
- PENDANT Mount Up/Downlight (Flat lens): 3.02 lbs
- PENDANT Mount Up/Downlight (Louver): 3.17 lbs
- Recessed (Flat lens): 3.37 lbs
- Recessed (Louver): 3.62 lbs



PENDANT  
Mount



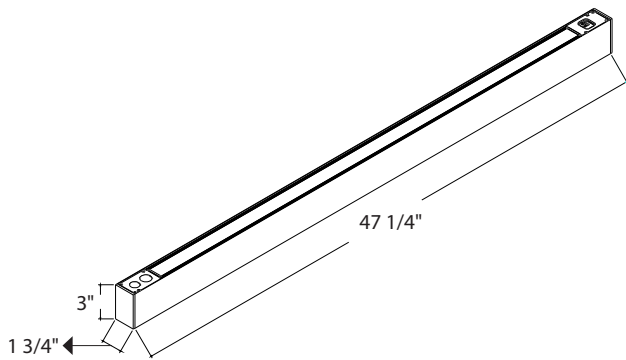
Recessed

## DIMENSIONS (CONTINUED)

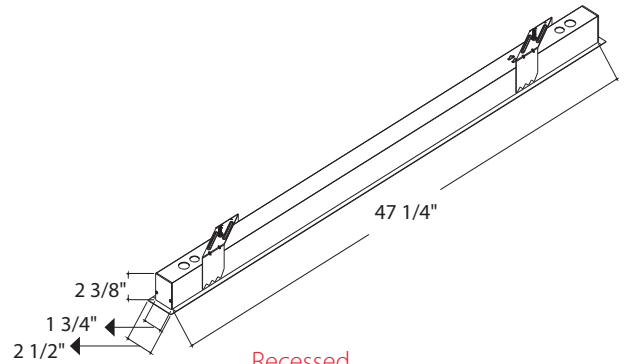
### BOA4

Weights:

- PENDANT Mount Downlight (Flat lens): 4.59 lbs
- PENDANT Mount Downlight (Louver): 4.67 lbs
- PENDANT Mount Up/Downlight (Flat lens): 4.85 lbs
- PENDANT Mount Up/Downlight (Louver): 5.05 lbs
- Recessed (Flat lens): 4.87 lbs
- Recessed (Louver): 5.14 lbs



PENDANT  
Mount

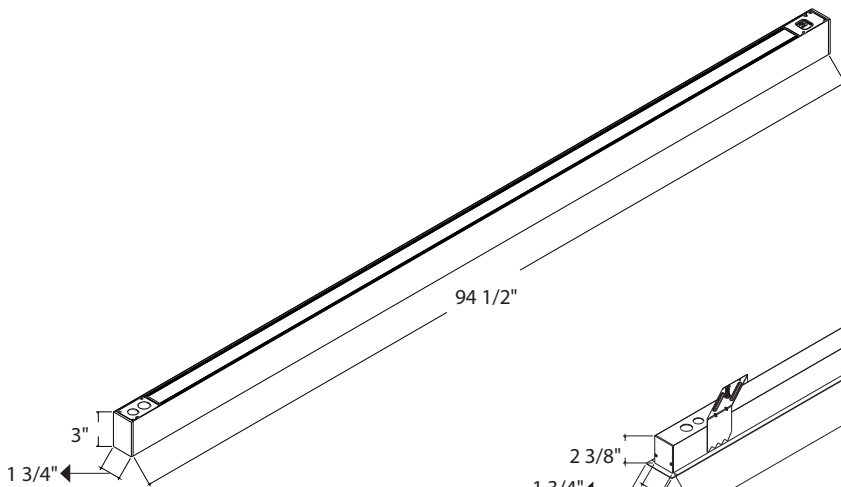


Recessed

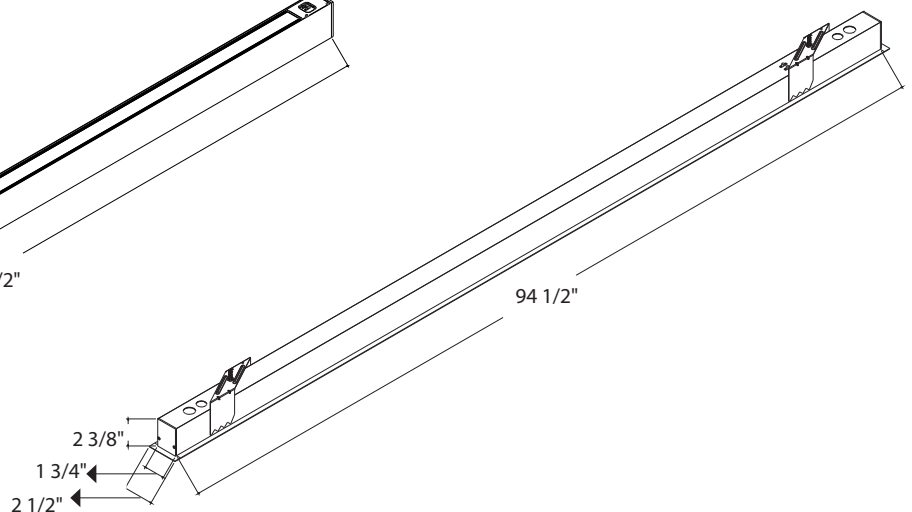
### BOA8

Weights:

- PENDANT Mount Downlight (Flat lens): 8.20 lbs
- PENDANT Mount Downlight (Louver): 8.73 lbs
- PENDANT Mount Up/Downlight (Flat lens): 8.75 lbs
- PENDANT Mount Up/Downlight (Louver): 9.28 lbs
- Recessed (Flat lens): 8.49 lbs
- Recessed (Louver): 9.02 lbs



PENDANT  
Mount



Recessed

## ACCESSORIES

IMAGE	ACCESSORY	UPC	DESCRIPTION
	BOA-SM	192552031639	BOA-FA CEILING MOUNT KIT +WALL MOUNT KIT
	BOA-X	192552031646	X CONNECTOR MODULE FOR PENDANT DOWNLIGHT BOA-FA WHITE
	BOA-X/S	192552031653	X CONNECTOR MODULE FOR PENDANT DOWNLIGHT BOA-FA SILVER
	BOA-X/B	192552031660	X CONNECTOR MODULE FOR PENDANT DOWNLIGHT BOA-FA BLACK
	BOA-L	192552031677	L CONNECTOR MODULE FOR PENDANT DOWNLIGHT BOA-FA WHITE
	BOA-L/S	192552031684	L CONNECTOR MODULE FOR PENDANT DOWNLIGHT BOA-FA SILVER
	BOA-L/B	192552031691	L CONNECTOR MODULE FOR PENDANT DOWNLIGHT BOA-FA BLACK
	BOA-T	192552031707	T CONNECTOR MODULE FOR PENDANT DOWNLIGHT BOA-FA WHITE
	BOA-T/S	192552031714	T CONNECTOR MODULE FOR PENDANT DOWNLIGHT BOA-FA SILVER
	BOA-T/B	192552031721	T CONNECTOR MODULE FOR PENDANT DOWNLIGHT BOA-FA BLACK
	BOA-V	192552031738	V CONNECTOR MODULE FOR PENDANT DOWNLIGHT BOA-FA WHITE
	BOA-V/S	192552031745	V CONNECTOR MODULE FOR PENDANT DOWNLIGHT BOA-FA SILVER
	BOA-V/B	192552031752	V CONNECTOR MODULE FOR PENDANT DOWNLIGHT BOA-FA BLACK
	BOA-Y	192552031769	Y CONNECTOR MODULE FOR PENDANT DOWNLIGHT BOA-FA WHITE
	BOA-Y/S	192552031776	Y CONNECTOR MODULE FOR PENDANT DOWNLIGHT BOA-FA SILVER
	BOA-Y/B	192552031783	Y CONNECTOR MODULE FOR PENDANT DOWNLIGHT BOA-FA BLACK
	MSR1	192552026055	MULTI-SENSOR REMOTE CONTROL IP20

## PERFORMANCE

Flat Lens-Downlight, 120-277V															
BOA 2 ft	3000K	3500K	4000K	3000K	3500K	4000K	3000K	3500K	4000K	3000K	3500K	4000K	3000K	3500K	4000K
Wattage	20W			14W			12W			10W			5W		
Input Watts	19.9W	19.5W	19.9W	14.1W	13.8W	14.1W	12.3W	12.1W	12.3W	10.2W	10W	10.2W	5.7W	5.7W	5.8W
Lumens	2,623	2,654	2,661	1,845	1,854	1,874	1,601	1,609	1,629	1,302	1,304	1,326	691	685	704
Efficacy	131.8	136.1	133.7	130.9	134.3	132.9	130.2	133	132.4	127.6	130.4	130	121.2	120.2	121.4
CRI	93	95	94	93	95	94	94	95	94	94	95	94	94	95	96
Louver Lens-Downlight, 120-277V															
BOA 2 ft	3000K	3500K	4000K	3000K	3500K	4000K	3000K	3500K	4000K	3000K	3500K	4000K	3000K	3500K	4000K
Wattage	20W			14W			12W			10W			5W		
Input Watts	21W	20.2W	21W	14.8W	14.4W	14.9W	13W	12.7W	13W	11.3W	11.1W	11.4W	5.7W	5.6W	5.7W
Lumens	2,791	2,922	2,883	1,999	2,071	2,068	1,755	1,815	1,812	1,521	1,570	1,566	733	746	752
Efficacy	132.9	144.7	137.3	135.1	143.8	138.8	135	142.9	139.4	134.6	141.4	137.4	128.6	133.2	131.9
CRI	94	95	94	94	95	94	94	95	94	94	95	94	95	96	95
Flat Lens- Up/Downlight, 120-277V															
BOA 2 ft	3000K	3500K	4000K	3000K	3500K	4000K	3000K	3500K	4000K	3000K	3500K	4000K	3000K	3500K	4000K
Down/Up %	100% / 0%			70% / 30%			60% / 40%			50% / 50%			0% / 100%		
Input Watts	20.1W	19.7W	20.1W	20.2W	19.7W	20.2W	20.2W	19.6W	20.2W	20.3W	19.7W	20.4W	10.8W	10.5W	10.8W
Lumens	2,723	2,758	2,751	2,741	2,782	2,767	2,741	2,786	2,767	2,742	2,796	2,764	1,379	1,400	1,398
Efficacy	135.5	140	136.9	135.7	141.2	137	135.7	142.1	137	135.1	141.9	135.5	127.7	133.3	129.4
CRI	93	95	94	93	95	94	93	95	94	93	95	94	93	95	94
Louver Lens- Up/Downlight, 120-277V															
BOA 2 ft	3000K	3500K	4000K	3000K	3500K	4000K	3000K	3500K	4000K	3000K	3500K	4000K	3000K	3500K	4000K
Down/Up %	100% / 0%			70% / 30%			60% / 40%			50% / 50%			0% / 100%		
Input Watts	20.8W	20.0W	20.7W	20.8W	20.0W	20.8W	20.7W	19.9W	20.6W	20.7W	19.9W	20.7W	11.2W	10.9W	11.2W
Lumens	2,749	2,871	2,823	2,680	2,774	2,732	2,640	2,731	2,693	2,608	2,703	2,660	1,338	1,372	1,364
Efficacy	132.2	143.6	136.4	128.8	138.7	131.3	127.5	137.2	130.7	126.0	135.8	128.5	119.5	125.9	121.8
CRI	94	95	94	94	95	94	94	95	94	94	95	94	95	96	95
Flat Lens-Recessed, 120-277V															
BOA 2 ft	3000K	3500K	4000K	3000K	3500K	4000K	3000K	3500K	4000K	3000K	3500K	4000K	3000K	3500K	4000K
Wattage	20W			14W			12W			10W			5W		
Input Watts	20.4W	19.9W	20.4W	14.4W	14.1W	14.5W	12.6W	12.4W	12.7W	10.3W	10.2W	10.4W	5.5W	5.5W	5.6W
Lumens	2,565	2,586	2,603	1,805	1,809	1,838	1,558	1,565	1,588	1,261	1,263	1,286	629	624	643
Efficacy	125.7	129.9	127.6	125.3	128.3	126.8	123.7	126.2	125.0	122.4	123.8	123.7	114.4	113.5	114.8
CRI	94	95	94	94	95	94	94	95	94	94	95	94	94	95	94
Louver Lens-Recessed, 120-277V															
BOA 2 ft	3000K	3500K	4000K	3000K	3500K	4000K	3000K	3500K	4000K	3000K	3500K	4000K	3000K	3500K	4000K
Wattage	20W			14W			12W			10W			5W		
Input Watts	21.3W	20.5W	21.2W	15W	14.6W	14.9W	13.1W	12.8W	13W	11.4W	11.2W	11.4W	5.8W	5.7W	5.8W
Lumen	2,807	2,941	2,873	2,021	2,095	2,067	1,765	1,821	1,801	1,532	1,576	1,570	738	749	755
Efficacy	131.8	143.5	135.5	134.7	143.5	138.7	134.7	142.3	138.5	134.4	140.7	137.7	127.2	131.4	130.2
CRI	94	95	94	94	95	94	94	95	94	94	95	94	95	96	95

## PERFORMANCE

### Flat Lens-Downlight, 120-277V

BOA 4 ft	3000K	3500K	4000K	3000K	3500K	4000K	3000K	3500K	4000K	3000K	3500K	4000K	3000K	3500K	4000K
Wattage	40W			28W			24W			20W			10W		
Input Watts	39.9W	39W	40W	28.1W	27.6W	28.1W	24.3W	24W	24.3W	19.9W	29.6W	19.9W	10.6W	10.6W	10.7W
Lumens	5,377	5,440	5,455	3,840	3,859	3,901	3,325	3,341	3,383	2,699	2,703	2,749	1,345	1,333	1,371
Efficacy	134.8	139.5	136.4	136.7	139.8	138.8	136.8	139.2	139.2	135.6	137.9	138.1	126.9	125.8	128.1
CRI	94	95	94	94	95	94	94	95	94	94	95	94	94	95	95

### Louver Lens-Downlight, 120-277V

BOA 4 ft	3000K	3500K	4000K	3000K	3500K	4000K	3000K	3500K	4000K	3000K	3500K	4000K	3000K	3500K	4000K
Wattage	40W			28W			24W			20W			10W		
Input Watts	41.2W	39.7W	41.2W	28.3W	27.6W	28.4W	24.5W	23.9W	24.5W	20.8W	20.5W	20.9W	10.5W	10.4W	10.5W
Lumens	5,526	5,578	5,709	3,971	4,114	4,108	3,458	3,577	3,571	2,963	3,058	3,051	1,443	1,468	1,480
Efficacy	134.1	145.7	138.6	140.3	149.1	144.6	141.1	149.7	145.8	142.5	149.2	146.0	137.4	141.2	141.0
CRI	94	95	94	94	95	94	94	95	94	94	95	94	95	96	95

### Flat Lens- Up/Downlight, 120-277V

BOA 4 ft	3000K	3500K	4000K	3000K	3500K	4000K	3000K	3500K	4000K	3000K	3500K	4000K	3000K	3500K	4000K
Down/Up %	100% / 0%			70% / 30%			60% / 40%			50% / 50%			0% / 100%		
Input Watts	39.1W	38.3W	39.1W	39.6W	38.6W	39.6W	39.8W	38.7W	39.8W	39.9W	38.7W	40W	20.3W	19.8W	20.3W
Lumens	5,348	5,417	5,403	5,348	5,428	5,398	5,331	5,419	5,382	5,310	5,415	5,353	2,620	2,660	2,656
Efficacy	136.8	141.4	138.2	135.1	140.6	136.3	133.9	140.0	135.2	133.1	139.9	133.8	129.1	134.3	130.8
CRI	93	95	94	93	95	94	94	95	94	94	95	94	94	95	94

### Louver Lens- Up/Downlight, 120-277V

BOA 4 ft	3000K	3500K	4000K	3000K	3500K	4000K	3000K	3500K	4000K	3000K	3500K	4000K	3000K	3500K	4000K
Down/Up %	100% / 0%			70% / 30%			60% / 40%			50% / 50%			0% / 100%		
Input Watts	40.8W	39.3W	40.7W	40.8W	39.3W	40.8W	40.9W	39.3W	40.8W	40.8W	39.2W	40.8W	21.4W	20.9W	21.4W
Lumens	5,500	5,745	5,649	5,423	5,614	5,529	5,376	5,562	5,483	5,338	5,553	5,445	2,794	2,865	2,849
Efficacy	134.8	146.2	138.8	132.9	142.8	135.5	131.4	141.5	134.4	130.8	141.1	133.5	130.6	137.1	133.1
CRI	94	95	94	94	95	94	94	95	94	94	95	94	94	96	95

### Flat Lens-Recessed, 120-277V

BOA 4 ft	3000K	3500K	4000K	3000K	3500K	4000K	3000K	3500K	4000K	3000K	3500K	4000K	3000K	3500K	4000K
Wattage	40W			28W			24W			40W			10W		
Input Watts	39.2W	38.3W	39.2W	27.6W	27.1W	27.7W	23.9W	23.6W	24W	39.2W	38.3W	39.2W	10.5W	10.5W	10.6W
Lumens	5,101	5,142	5,177	3,655	3,663	3,721	3,164	3,176	3,224	5,101	5,142	5,177	1,286	1,276	1,315
Efficacy	130.1	134.3	132.1	132.4	135.2	134.3	132.4	134.7	134.3	130.1	134.3	132.1	122.5	121.5	124.1
CRI	94	95	94	94	95	94	94	95	94	94	95	94	94	95	94

### Louver Lens-Recessed, 120-277V

BOA 4 ft	3000K	3500K	4000K	3000K	3500K	4000K	3000K	3500K	4000K	3000K	3500K	4000K	3000K	3500K	4000K
Wattage	40W			28W			24W			20W			10W		
Input Watts	41.1W	39.6W	40.9W	28.6W	27.8W	28.5W	24.8W	24.2W	24.6W	21.2W	20.8W	21.2W	11.0W	10.8W	11.0W
Lumen	5,473	5,735	5,601	3,953	4,097	4,043	3,456	3,565	3,526	2,967	3,057	3,041	1,480	1,502	1,514
Efficacy	133.2	144.8	136.9	138.2	147.4	141.9	139.4	147.3	143.3	140.0	146.8	143.4	134.5	139.1	137.6
CRI	94	95	94	94	95	94	94	95	94	94	95	94	95	96	94



## PERFORMANCE

### Flat Lens-Downlight, 120-277V

BOA 8 ft	3000K	3500K	4000K	3000K	3500K	4000K	3000K	3500K	4000K	3000K	3500K	4000K	3000K	3500K	4000K
Wattage	80W			56W			48W			40W			20W		
Input Watts	76.5W	74.8W	76.7W	54.2W	53.2W	54.2W	47.3W	46.7W	47.3W	38.6W	38W	38.6W	19.8W	19.8W	20W
Lumens	10,534	10,657	10,687	7,626	7,664	7,747	6,635	6,667	6,751	5,385	5,393	5,485	2,643	2,619	2,694
Efficacy	137.7	142.5	139.3	140.7	144.1	142.9	140.3	142.8	142.7	139.5	141.9	142.1	133.5	132.3	134.7
CRI	93	95	94	94	95	94	94	95	94	94	95	94	94	95	95

### Louver Lens-Downlight, 120-277V

BOA 8 ft	3000K	3500K	4000K	3000K	3500K	4000K	3000K	3500K	4000K	3000K	3500K	4000K	3000K	3500K	4000K
Wattage	80W			56W			48W			40W			20W		
Input Watts	80.4W	77.5W	80.4W	55.3W	53.9W	55.5W	47.7W	46.5W	47.7W	40.6W	40W	40.8W	19.8W	19.6W	19.8W
Lumens	10,873	11,383	11,233	7,848	8,131	8,119	6,824	7,059	7,047	5,856	6,044	6,030	2,845	2,894	2,918
Efficacy	135.2	146.9	139.7	141.9	150.9	146.3	143.1	151.8	147.7	144.2	151.1	147.8	143.7	147.7	147.4
CRI	93	95	94	94	95	94	94	95	94	94	95	94	94	96	95

### Flat Lens- Up/Downlight, 120-277V

BOA 8 ft	3000K	3500K	4000K	3000K	3500K	4000K	3000K	3500K	4000K	3000K	3500K	4000K	3000K	3500K	4000K
Down/Up %	100% / 0%			70% / 30%			60% / 40%			50% / 50%			0% / 100%		
Input Watts	76W	74.4W	76W	78.2W	76.2W	76.2W	79.2W	77W	79.2W	80.2W	77.8W	80.4W	40.9W	39.9W	40.9W
Lumens	10,085	10,215	10,189	10,320	10,474	10,416	10,380	10,551	10,479	10,366	10,571	10,450	5,450	5,533	5,525
Efficacy	132.7	137.3	134.1	132	137.5	133.2	131.1	137	132.3	129.3	135.9	130	133.3	138.7	131.1
CRI	94	95	94	94	95	94	94	95	94	94	95	94	94	95	94

### Louver Lens- Up/Downlight, 120-277V

BOA 8 ft	3000K	3500K	4000K	3000K	3500K	4000K	3000K	3500K	4000K	3000K	3500K	4000K	3000K	3500K	4000K
Down/Up %	100% / 0%			70% / 30%			60% / 40%			50% / 50%			0% / 100%		
Input Watts	78.7W	75.8W	78.5W	80.1W	77.2W	80.1W	80.5W	77.4W	80.3W	80.9W	77.7W	80.9W	40.9W	39.9W	40.9W
Lumens	10,189	10,643	10,465	10,364	10,729	10,567	10,414	10,774	10,621	10,390	10,770	10,598	5,429	5,567	5,536
Efficacy	129.5	140.4	133.3	129.4	139	131.9	129.4	139.2	132.3	128.4	138.6	131	132.7	139.5	135.4
CRI	94	95	94	94	95	94	94	95	94	94	95	94	95	96	95

### Flat Lens-Recessed, 120-277V

BOA 8 ft	3000K	3500K	4000K	3000K	3500K	4000K	3000K	3500K	4000K	3000K	3500K	4000K	3000K	3500K	4000K
Wattage	80W			56W			48W			40W			20W		
Input Watts	75.5W	73.8W	75.5W	53.1W	52.1W	53.3W	46W	45.4W	46.2W	37.3W	36.9W	37.5W	18.6W	18.6W	18.8W
Lumens	9,817	9,896	9,963	7,127	7,143	7,256	6,155	6,182	6,272	4,980	4,990	5,081	2,377	2,359	2,431
Efficacy	130	134.1	132	134.2	137.1	136.1	133.8	136.2	135.8	133.5	135.2	135.5	127.8	126.8	129.3
CRI	94	95	94	94	95	94	94	95	94	94	95	94	94	95	94

### Louver Lens-Recessed, 120-277V

BOA 8 ft	3000K	3500K	4000K	3000K	3500K	4000K	3000K	3500K	4000K	3000K	3500K	4000K	3000K	3500K	4000K
Wattage	80W			56W			48W			40W			20W		
Input Watts	80W	77.1W	79.6W	55.2W	53.7W	55W	47.1W	46W	46.7W	40.7W	39.9W	40.7W	19.7W	19.3W	19.7W
Lumen	10,638	11,147	10,887	7,659	7,938	7,833	6,702	6,913	6,838	5,758	5,925	5,902	2,767	2,808	2,831
Efficacy	133	144.6	136.8	138.8	147.8	142.4	142.3	150.3	146.4	141.5	148.5	145	140.5	145.5	143.7
CRI	94	95	94	94	95	94	94	95	94	94	95	94	95	96	95

# BOA<sup>®</sup> Field-Adjustable Linear Lighting



## ORDERING MATRIX

### BOA Field-Adjustable Linear Lighting

Family	Size/Wattages	Mount	Lens	Light Output	Color Temp	Voltage	Finish	Options				
<b>BOA</b>		<b>P</b>		<b>U</b>								
2	2 ft (20W)*	P PEN-	BLANK	Flat	U Uplight/Downlight	BLANK	3000/3500/4000K Selectable	BLANK	120-277V	W White	BLANK	No Option
4	4 ft (40W)*	DANT	L	Louvers				S Silver	0-10V dimming	B Black	/MVS	Microwave Occ Sensor
8	8 ft (80W)*										/PIR	Passive Infrared Occ Sensor
											/LCBS	Lightcloud <sup>®</sup> Blue Enabled
											/LCBS/MVS	PIR Sensor
											/E <sup>1</sup>	Lightcloud <sup>®</sup> Blue Enabled
											/MVS/E <sup>1</sup>	MVS Sensor
											/PIR/E <sup>1</sup>	Battery Backup
											/LCBS/E <sup>1</sup>	Microwave Occ Sensor w/Battery Backup
											/MVS/E <sup>1</sup>	Passive Infrared Occ Sensor w/Battery Backup
											/PIR/E <sup>1</sup>	Lightcloud <sup>®</sup> Blue Enabled
											/LCBS/MVS/E <sup>1</sup>	PIR Sensor w/Battery Backup
												Lightcloud <sup>®</sup> Blue Enabled
												MVS Sensor w/Battery Backup

\* 5 Presets:  
 Down/Up  
 100% / 0% (Downlight only)  
 70% / 30%  
 60% / 40%  
 50% / 50%  
 0% / 100% (Uplight only)

Family	Size/Wattages	Mount	Lens	Light Output	Color Temp	Voltage	Finish	Options					
<b>BOA</b>		<b>P</b>											
2	2 ft	P PENDANT	BLANK	Flat	BLANK	Downlight	BLANK	3000/3500/4000K Selectable	BLANK	120-277V	W White	BLANK	No Option
4	(20/14/12/10/5W)		L	Louvers					S Silver	0-10V dimming	B Black	/MVS	Microwave Occ Sensor
8	4 ft											/PIR	Passive Infrared Occ Sensor
	(40/28/24/20/10W)											/LCBS	Lightcloud <sup>®</sup> Blue Enabled
	8 ft											/LCBS/MVS	PIR Sensor
	80/56/48/40/20W)											/E <sup>1</sup>	Lightcloud <sup>®</sup> Blue Enabled
												/MVS/E <sup>1</sup>	MVS Sensor
												/PIR/E <sup>1</sup>	Battery Backup
												/LCBS/E <sup>1</sup>	Microwave Occ Sensor w/Battery Backup
												/MVS/E <sup>1</sup>	Passive Infrared Occ Sensor w/Battery Backup
												/PIR/E <sup>1</sup>	Lightcloud <sup>®</sup> Blue Enabled
												/LCBS/MVS/E <sup>1</sup>	PIR Sensor w/Battery Backup
													Lightcloud <sup>®</sup> Blue Enabled
													MVS Sensor w/Battery Backup

Family	Size/Wattages	Mount	Lens	Light Output	Color temp	Voltage	Finish	Options						
<b>BOA</b>		<b>R</b>												
2	2 ft	R Recessed	BLANK	Flat	BLANK	Downlight	BLANK	3000/3500/4000K Selectable	BLANK	120-277V	BLANK	White	BLANK	No Option
4	(20/14/12/10/5W)		L	Louvers						0-10V dimming			/MVS	Microwave Occ Sensor
8	4 ft												/PIR	Passive Infrared Occ Sensor
	(40/28/24/20/10W)												/LCBS	Lightcloud <sup>®</sup> Blue Enabled
	8 ft												/LCBS/MVS	PIR Sensor
	80/56/48/40/20W)												/E <sup>1</sup>	Lightcloud <sup>®</sup> Blue Enabled
													/MVS/E <sup>1</sup>	MVS Sensor
													/PIR/E <sup>1</sup>	Battery Backup
													/LCBS/E <sup>1</sup>	Microwave Occ Sensor w/Battery Backup
													/MVS/E <sup>1</sup>	Passive Infrared Occ Sensor w/Battery Backup
													/PIR/E <sup>1</sup>	Lightcloud <sup>®</sup> Blue Enabled
													/LCBS/MVS/E <sup>1</sup>	PIR Sensor w/Battery Backup
														Lightcloud <sup>®</sup> Blue Enabled
														MVS Sensor w/Battery Backup

<sup>1</sup> Only available on 4 ft and 8 ft models only