

# CCT-Adjustable Deep Regress Wafer



4", Smooth



4", Baffle



6", Smooth



6", Baffle

PROJECT: \_\_\_\_\_

DATE: \_\_\_\_\_

TYPE: \_\_\_\_\_

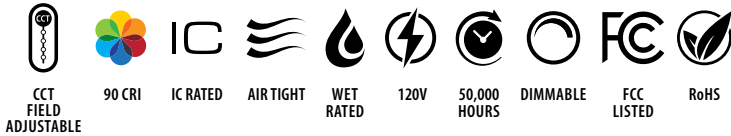
PREPARED BY: \_\_\_\_\_



## KEY FEATURES

- 5 color temperatures in 1 SKU (2700/3000/3500/4000/5000K)
- No recessed housing or J-box required
- Dimmable on TRIAC/ELV (see *Dimmer Compatibility List*)
- Suitable for indoor and outdoor use in **dry**, **damp**, and **wet** environments
- 50,000-hour lifespan
- 5-Year, no-compromise warranty

## CCT-Adjustable Deep Regress Wafer



## PERFORMANCE

Catalog Number	Size	Trim Style	Wattage Equivalency	Input Wattage	Lumens	Efficacy	Color Temperature	Input Current @ 120V (mA)	Energy Star ID
WFD4B	4"	Baffle	100W Incandescent	13W	1,200 lm	92 lm/W	Field-adjustable dip switch 2700K/3000K/ 3500K/4000K/5000K	120 mA	2508117
WFD6B	6"	Smooth	120W Incandescent	15W	1,500 lm	100 lm/W		137 mA	2508118
WFD4	4"	Baffle	100W Incandescent	13W	1,200 lm	92 lm/W		120 mA	2508117
WFD6	6"	Smooth	120W Incandescent	15W	1,500 lm	100 lm/W		137 mA	2508118

Catalog Number	Wattage	CCT	Efficacy	Lumens	Wattage Equivalency
WFD4B WFD4	13W	2700K	102 lm/W	1,213 lm	100W Incandescent
		3000K	105 lm/W	1,241 lm	
		3500K	111 lm/W	1,289 lm	
		4000K	113 lm/W	1,318 lm	
		5000K	112 lm/W	1,331 lm	

Catalog Number	Wattage	CCT	Efficacy	Lumens	Wattage Equivalency
WFD6B WFD6	15W	2700K	108 lm/W	1,525 lm	120W Incandescent
		3000K	112 lm/W	1,562 lm	
		3500K	118 lm/W	1,627 lm	
		4000K	119 lm/W	1,662 lm	
		5000K	118 lm/W	1,685 lm	

## TECHNICAL SPECIFICATIONS

### CONSTRUCTION

**Product Type**

Deep Regress Wafer

**Size**

4", 6"

**Shape**

Round

**Enclosure Material**

Metal

**Finish**

White

**Trim Style**

Smooth, baffle

**Lens**

Polycarbonate

**Cut Out Template Size**

4 5/16" for 4" wafer

6 5/16" for 6" wafer

### INSTALLATION

**Mounting**

Recessed, no housing required

### ELECTRICAL

**Dimmable**

Yes, dims down to 10% on compatible TRIAC/ELV systems. See Dimmer Compatibility List on [rablighting.com](http://rablighting.com).

**THD**

≤20%

**Power Factor**

≥0.9

**Flicker**

5%

**Input Voltage**

120V

**Operating Frequency**

60Hz

**Operating Temperature**

-4°F to 104°F (-20°C to 40°C)

**Beam Angle**

90°

### COMPLIANCE

**Listings**

UL Listed

**Environment**

Suitable for use in dry, damp, and wet environments.

**IC Rated**

Suitable for direct contact with insulation.

Type IC inherently protected, suitable for direct contact to air permeable insulation and cULus listed for damp locations. Not for use in direct contact with spray foam insulation, consult NEMA LSD57-2013.

**Air Tight**

Housing certified Air Tight as per ASTM E283

**ENERGY STAR® Approved**

This product is ENERGY STAR® Version 2.2 Certified.

**DLC Listed**

No. There is no product category on the Design Lights Consortium (DLC) Qualified Products List for this product to qualify under.

**T20 Compliant**

No, this product does not meet California Title 20 requirements.

**California Title 24 JA8 Compliant**

Can be used to conform with the requirements of California Title 24 Part 6.

**California Energy Commission (CEC) Status**

Lawful for Sales in California

**NEC Compliant**

Suitable for use in closets. Compliant with NEC Sec. 410.16 (A)(1) and 410.16 (C3).

**IESNA LM-79 & LM80 Testing**

RAB LED luminaires and LED components have been tested by an independent laboratory in accordance with IESNA LM-79 and LM-80.

**FCC**

Complies with Part 15 of the FCC Rules.

**RoHS**

Mercury and UV free. RoHS-compliant components.

### LED CHARACTERISTICS

**Color Temperature**

Field-adjustable dip switch 2700K/3000K/3500K/4000K/5000K

**Color Accuracy (CRI)**

>90

**R9 Value**

High color performance with R9 greater than or equal to 50

**Color Consistency**

4-step MacAdam Ellipse binning to achieve consistent fixture-to-fixture color

**Color Stability**

LED color temperature is warrantied to shift no more than 200K in color temperature over a 5-year period

**Color Uniformity**

RAB's range of Correlated Color Temperature follows the guidelines of the American National Standard for Specifications for the Chromaticity of Solid State Lighting (SSL) Products, ANSI C78.377-2017.

# CCT-Adjustable Deep Regress Wafer



## TECHNICAL SPECIFICATIONS (CONT'D)

### OTHER

#### Warranty

RAB warrants that our LED products will be free from defects in materials and workmanship for a period of five (5) years from the date of delivery to the end user, including coverage of light output, color stability, driver performance and fixture finish.

RAB's warranty is subject to all terms and conditions found at [rablighting.com/warranty](http://rablighting.com/warranty).

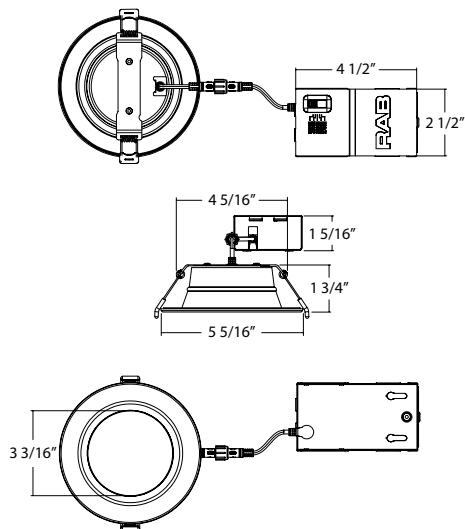
#### Note

All values are typical (tolerance +/- 10%)

## DIMENSIONS

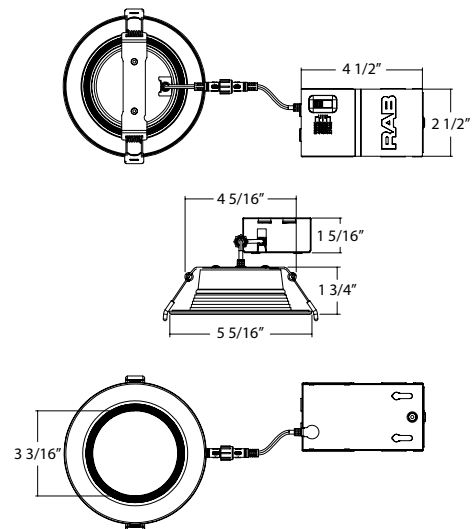
### WFD4

Weight: 0.68 lb



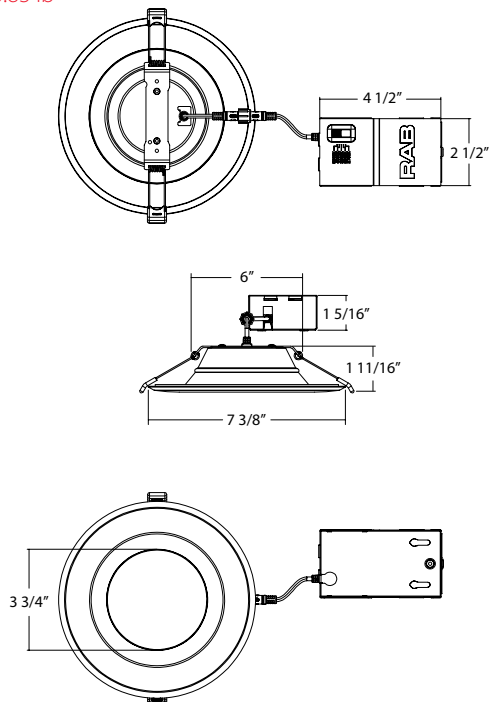
### WFD4B

Weight: 0.68 lb



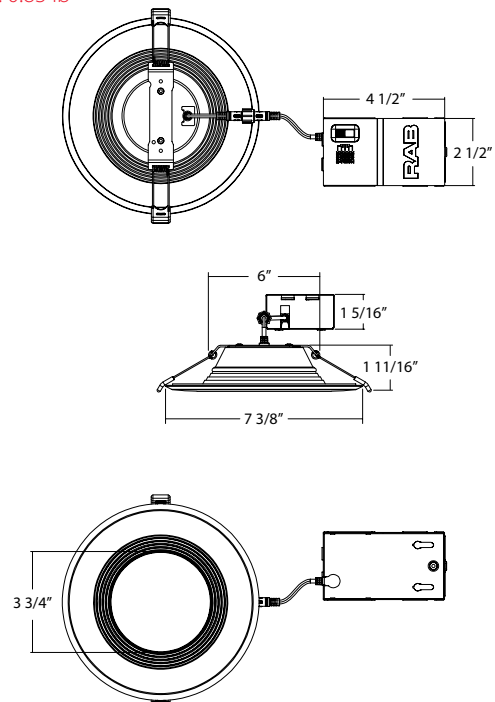
### WFD6

Weight: 0.83 lb



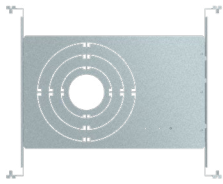
### WFD6B

Weight: 0.83 lb



## ACCESSORIES

### Mounting Plate



DLPLATE/WFR3468/NB



DLPLATE/WFR3456

Catalog Number	UPC	Description
DLPLATE/WFR3468/NB	192552000673	Mounting plate with nailer bar for 3"/4"/6"/8" wafers
DLPLATE/WFR3456	192552025584	Mounting plate for 3"/4"/5"/6" wafers

## ORDERING INFO

Catalog Number	Certification Model Number	UPC	Case Pack
WFD4B	DLW0102(WFD4B)	192552029216	4
WFD6B	DLW0103(WFD6B)	192552029223	4
WFD4	DLW0100(WFD4)	192552029230	4
WFD6	DLW0101(WFD6)	192552029247	4

## ORDERING MATRIX

Family	Size/Wattage	Shape	CRI/Color Temp	Voltage	Finish	Trim
WFD						
Deep Regress Wafer	4 4", 13W 6 6", 15W	Blank Round	Blank 90 CRI, Field-adjustable CCT 2700K/3000K/3500K/4000K/5000K	Blank 120V	Blank White	Blank B Smooth Baffle