

# COLUMN Track Light



COL6 COL6RM COL6SM *\*Also available in white finish*



COL12LM COL12SM



COL18SM COL18LM



Pivoting heads with 6W per lamp head & 3CCT



*\*Recessed model is damp location, the others are dry location.*

PROJECT: \_\_\_\_\_

DATE: \_\_\_\_\_

TYPE: \_\_\_\_\_

PREPARED BY: \_\_\_\_\_



## KEY FEATURES

- Mono track with single, two & three head options  
COL6, COL6RM, COL6SM: 6W (single head)  
COL12LM, COL12SM: 12W (2 heads, 6W/head)  
COL18LM, COL18SM: 18W (3 heads, 6W/head)
- Adjustable CCT: 3000/4000/5000K, default 4000K
- 120V, TRIAC dimming
- Track, recessed, and ceiling mount options for single lamp head
- Linear & round ceiling mount option only for two & three lamp heads
- Standard gold reflector
- 90CRI
- Head rotates 350° and tilts up to 70°
- Recessed model is damp location, all others are dry location rated.
- 5-year, limited warranty

## PERFORMANCE

COL6	3000K	4000K	5000K
Watts	6W		
Input Watt	6.1W	5.9W	6.1W
Lumens	537	572	571
Efficacy	88.0	97.0	93.6
CRI	93	94	93
Voltage Rating	120V		

COL6RM	3000K	4000K	5000K
Watts	6W		
Input Watt	5.8W	5.6W	5.8W
Lumens	554	588	587
Efficacy	95.5	105.0	101.3
CRI	93	94	93
Voltage Rating	120V		

COL6SM	3000K	4000K	5000K
Watts	6W		
Input Watt	5.9W	5.7W	5.9W
Lumens	529	563	561
Efficacy	89.7	98.8	95.1
CRI	93	94	93
Voltage Rating	120V		

COL12LM	3000K	4000K	5000K
Watts	12W		
Input Watt	11.9W	11.5W	11.9W
Lumens	1,068	1,135	1,136
Efficacy	89.7	98.7	95.5
CRI	93	94	93
Voltage Rating	120V		

COL12SM	3000K	4000K	5000K
Watts	6W		
Input Watt	12.1W	11.6W	12.1W
Lumens	1,066	1,126	1,130
Efficacy	88.1	97.1	93.4
CRI	93	94	93
Voltage Rating	120V		

COL18LM	3000K	4000K	5000K
Watts	18W		
Input Watt	18.0W	17.4W	18.0W
Lumens	1,599	1,698	1,698
Efficacy	88.8	97.6	94.4
CRI	93	93	93
Voltage Rating	120V		

COL18RM	3000K	4000K	5000K
Watts	18W		
Input Watt	17.8W	17.1W	17.8W
Lumens	1,571	1,659	1,667
Efficacy	88.2	97.0	93.6
CRI	93	93	93
Voltage Rating	120V		

## TECHNICAL SPECIFICATIONS

### COMPLIANCE

#### UL Listed

Suitable for dry locations. COL6RM models are rated for damp location.

#### DLC Listed

This product family is listed with the DesignLights Consortium (DLC). Individual SKUs within this family may carry either a DLC Standard or DLC Premium qualification. Please refer to the individual product specification sheet or the DLC Qualified Products List (QPL) at [designlights.org](http://designlights.org) to confirm the qualification status of a specific SKU prior to specification or purchase.

### LED CHARACTERISTICS

#### LEDS

Long-life, high-efficacy, COB (Chip on Board) LEDs

#### Color Uniformity

RAB's range of Correlated Color Temperature follows the guidelines of the American National Standards for Specifications for the Chromaticity of Solid State Lighting (SLL) Products, ANSI C78.377-2017.

### FACTORY DEFAULT

#### Selectable CCT

Adjustable CCT: 3000/4000/5000K, default 4000K

### CONSTRUCTION

#### Cold Weather Starting

Minimum starting temperature is -4°F (-20°C)

#### Maximum Ambient Temperature

Suitable for use in up to 104°F (40°C)

#### Housing

Aluminum

#### Mounting

Track Mount, Recessed Mount, Ceiling Mount, Surface Mount

#### Beam Angle:

36°

#### Reflector

Aluminum

#### IP Ratings

Ingress protection rating of IP20 for dust and water

#### Green Technology

Mercury and UV free. RoHS-compliant components.

#### Finish

Formulated for high durability and long lasting color. Available in bronze, white or black finish.

### ELECTRICAL

#### Drivers

120V, Class 1 driver (recessed mount models only), all other models are with Class 2 driver, 60 Hz, TRIAC dimming

COL6, COL6RM, & COL6SM: 6W: 120V: 0.06A

COL12LM, & COL12SM: 12W: 120V: 0.11A

COL18LM, & COL18SM: 12W: 120V: 0.17A

#### THD:

COL6: 11.6% at 120V

COL6RM: 17.6% at 120V

COL6SM: 11.5% at 120V

COL12LM: 11.0% at 120V

COL12SM: 11.3% at 120V

COL18LM: 11.3% at 120V

COL18SM: 11.4% at 120V

#### Power Factor

COL6: 98.1% at 120V

COL6RM: 93.1% at 120V

COL6SM: 98.3% at 120V

COL12LM: 98.4% at 120V

COL12SM: 98.5% at 120V

COL18LM: 98.3% at 120V

COL18SM: 98.2% at 120V

#### Surge Protection

Ring Wave L-N:2.5KV, L-N-PE 2.5KV

#### Dimming Driver

Yes, dimmable down to 10% on compatible TRIAC dimming systems.

### OTHER

#### Warranty

The RAB 5-year, limited warranty covers light output, driver performance and paint finish. RAB's warranty is subject to all terms and conditions found at [rablighting.com/warranty](http://rablighting.com/warranty).

#### Lifespan

100,000-hour LED lifespan based on IES LM-80 results and -21 calculations

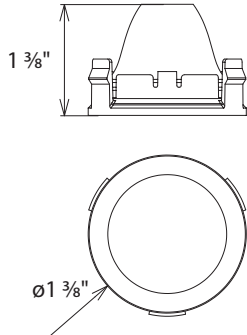
# COLUMN Track Light



## DIMENSIONS

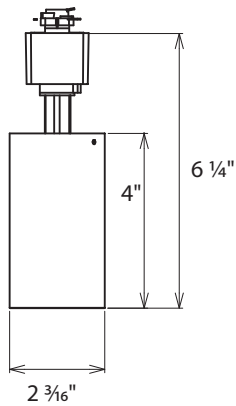
### COL-T

Weights: 0.98 lbs



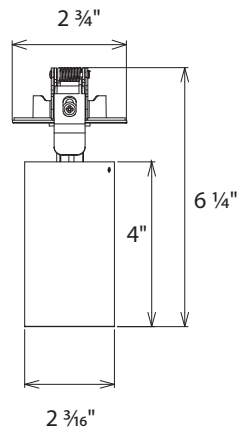
### COL6

Weights: 0.98 lbs



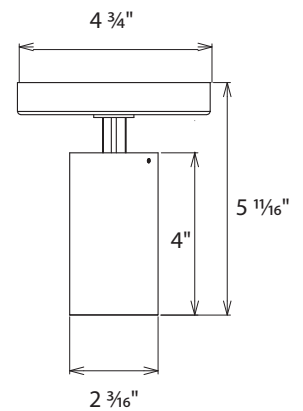
### COL6RM

Weights: lbs



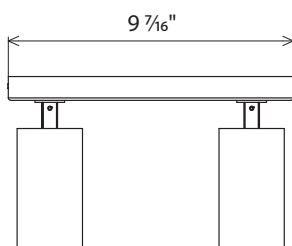
### COL6SM

Weights: lbs



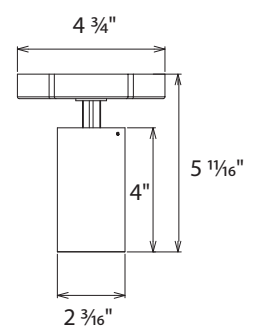
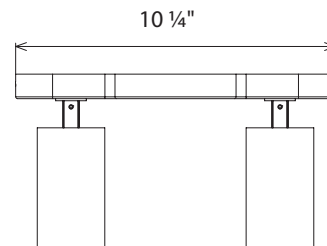
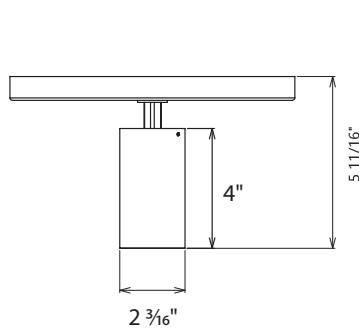
### COL12SM

Weights: 0.98 lbs



### COL12LM

Weights: lbs



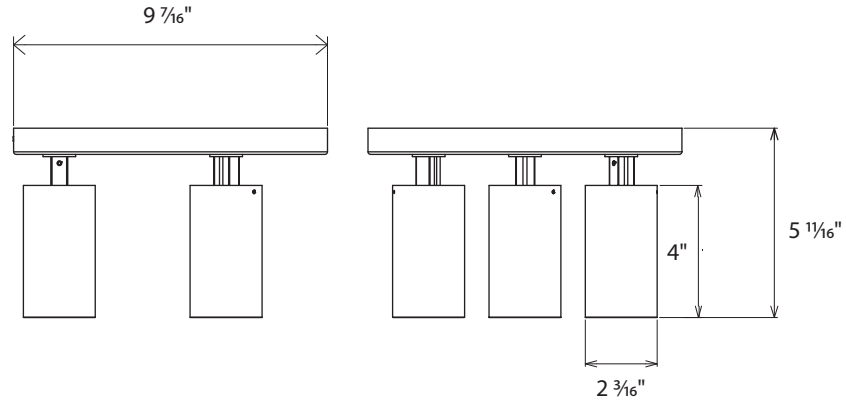
# COLUMN Track Light



## DIMENSIONS

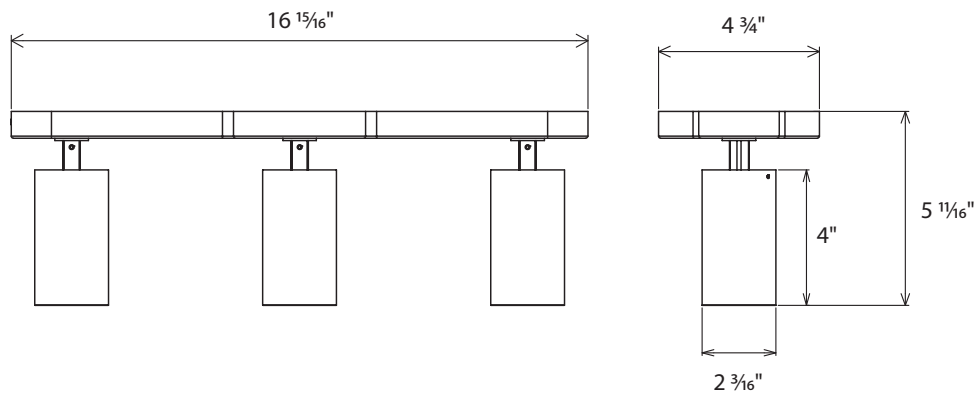
### COL18SM

Weights: 0.98 lbs



### COL18LM

Weights: lbs



## ACCESSORIES

Image	SKU#	UPC	Description
	COL-TW	192552058070	WHITE COLOR REFLECTOR
	COL-TB	192552058087	BLACK COLOR REFLECTOR
	COL-TS	192552058100	SILVER COLOR REFLECTOR
	COL-T	192552058084	BRONZE COLOR REFLECTOR

# COLUMN Track Light



## ORDERING MATRIX

### COLUMN Track Light

Family	Heads/Watts	Mount	Color Temperature	Optics	Finish	Driver
<b>COL</b>						
6	Single Lamp Head, 6W	<b>BLANK</b>	<b>BLANK</b>	<b>BLANK</b>	<b>BLANK</b>	<b>BLANK</b>
12	Two Lamp Heads, 12W	<b>RM</b>	3000/4000/5000K	36°	White Housing/ Gold Reflector	120V, TRIAC Dimming
18	Three Lamp Heads, 18W	<b>SM</b>			<b>B</b> Black Housing/ Gold Reflector	
		<b>SM2</b>				
		<b>SM3</b>				
		<b>LM2</b>				
		<b>LM3</b>				