

# CR Field-Adjustable Motion Sensor



PROJECT: \_\_\_\_\_

DATE: \_\_\_\_\_

TYPE: \_\_\_\_\_

PREPARED BY: \_\_\_\_\_



Wireless control with networked motion/daylight harvesting sensor



### KEY FEATURES

- Luminaire level lighting control with Lightcloud Blue
- Wireless control for on/off, dimming, and schedules
- Integrated passive infrared motion sensor and photocell, adjustable settings via the mobile app.
- Selectable wattage and color temperature via on-board dipswitch
- Suitable for new construction and remodel applications

PERFORMANCE								
Catalog Number	Size	Trim	Wattage Equivalency	Input Wattage	Lumens	Efficacy	Color Temperature	Environment
CR4/LCBS	4"	Smooth	23W CFL	12W	1,150 lm	96 lm/W	Field adjustable via dip switch 2700/3000/3500/4000/5000K	Wet
CR6/LCBS	6"	Smooth	52W CFL	23/19/14W	2,400/2,000/1500 lm	104/105/114 lm/W		
CR8/LCBS	8"	Smooth	75W CFL	33/28/26W	3,600/3,200/3000 lm	104/105/114 lm/W		
CR10/LCBS	10"	Smooth	100W CFL	37/34/29W	4,200/4,000/3,500 lm	114/118/121 lm/W		

## TECHNICAL SPECIFICATIONS

### LIGHTCLOUD BLUE FEATURES

#### Direct Connect

Use the Lightcloud Blue mobile app to connect to your device(s) in minutes via Bluetooth Mesh; no Gateway or Hub required.

#### Mobile App Control

Use the Lightcloud Blue mobile app to configure features for On/Off Control, Dim Level, Color Temperature, Schedules, Scenes, SmartShift and more.

#### Scalable

Devices within 60 feet of each other can communicate within the Bluetooth Mesh network to manage up to tens of thousands of devices per account.

#### Lightcloud Blue

Lightcloud Blue is a Bluetooth® Mesh lighting control system designed for fast setup and flexibility. Install quickly with no gateways, hubs, or additional control wiring. Start with a single device and easily scale to control entire buildings. Learn more at [rablighting.com/lcb](http://rablighting.com/lcb)

#### Gateway Required

No

#### Communication Protocol

Bluetooth Mesh

#### Range

Indoor: Up to 60 feet between standard building materials. Building materials such as brick, concrete, and steel construction may require additional Lightcloud Blue devices to extend around an obstruction; Up to 200 feet clear line of sight.

Outdoor: Up to 60 feet clear line of sight; Up to 18 feet around corners

#### Spacing Criteria

Lightcloud Blue devices should be placed within the specified range to communicate within the Bluetooth Mesh network.

### LED CHARACTERISTICS

#### Beam Angle

85°

#### Color Temperature

Field adjustable via dip switch 2700/3000/3500/4000/5000K

Default: 4000K

#### Color Accuracy (CRI)

90

#### R9 Value

High color performance with R9 no greater than 50

#### Color Consistency

<4-step MacAdam Ellipse binning to achieve consistent fixture-to-fixture color

#### Color Stability

LED color temperature is warranted to shift no more than 200K in color temperature over a 5-year period

#### Color Uniformity

RAB's range of Correlated Color Temperature follows the guidelines of the American National Standard for Specifications for the Chromaticity of Solid State Lighting (SSL) Products, ANSI C78.377-2017.

### SENSOR SETTINGS

#### Sensor Connection Type

Integrated and externally mounted on the base of the trim ring (*flange*).

#### Max Mounting Height

8 to 12 feet

#### Detection Range

20 ft. diameter at 9 ft. mounting height

#### Sensor Technology

Passive Infrared (PIR)

#### Default Setting

Motion Sensitivity: High

Brightness when triggered : 100%

Hold time: 20 minute

Standby to dim: 20%

Standby time: 1 minute

When vacant: Off

Daylight Harvesting: Disabled

Photocell: Disabled

#### Adjustable Sensor Settings

Yes, using the Lightcloud Blue mobile app.

#### Sensor Type

Occupancy or vacancy, adjustable using the Lightcloud Blue mobile app

#### Occupied Actions

On or On at a Dim Level

#### Vacant Actions

On or On at a Dim Level

#### Occupancy Timeout

1 minute to 240 minutes

#### Daylight Sensing

Continuous dimming based on target light levels configured using the Lightcloud Blue mobile app.

#### Photocell

Integrated and disabled. Configure using the Lightcloud Blue mobile app.

### CONSTRUCTION

#### Product Type

Commercial Downlight

#### Size

4", 6", 8", 10"

#### Shape

Round

#### Trim Style

Smooth

#### Enclosure Material

Metal

#### Finish

White

#### Lens Finish

Polycarbonate light diffuser distributes light evenly and smoothly for general lighting applications

## TECHNICAL SPECIFICATIONS *(cont'd)*

### COMPLIANCE

#### Listings

UL Listed, UL Classified

#### Environment

Suitable for use indoors and outdoors in dry, damp, or wet environments.

#### IC Rated

Suitable for direct contact with insulation.

Type IC inherently protected, suitable for direct contact to air permeable insulation and cULus listed for damp locations. Not for use in direct contact with spray foam insulation, consult NEMA LSD57-2013.

#### Air Tight

Housing certified Air Tight as per ASTM E283

#### Energy Star Approved

This product is ENERGY STAR® Certified.

#### California Title 20 Compliant

No

#### California Title 24 JA8 Compliant

Can be used to conform with the requirements of California Title 24 Part 6.

#### California Energy Commission (CEC) Status

Lawful for Sales in California

#### NEC Compliant

Suitable for use in closets. Compliant with NEC Sec. 410.16 (A)(1) and 410.16 (C3).

#### IESNA LM-79 & LM80 Testing

RAB LED luminaries and LED components have been tested by an independent laboratory in accordance with IESNA LM-79 and LM-80.

#### RoHS

Mercury and UV free. RoHS-compliant components.

#### FCC

Complies with Part 15 of the FCC Rules

### INSTALLATION

#### Integrated Driver

Driver is integrated on top of the light fixture and connects to junction box (*not included*) using the provided MC Whip cable.

#### Mounting

Stainless steel spring action clips allow for both easy direct installation from 1/2" to 2" ceiling thicknesses and field accessibility below the ceiling for service or replacement.

#### Installation Types

Designed for remodel or direct mounting in the ceiling, or can be retrofitted into existing commercial downlight housings

### ELECTRICAL

#### Dimmable

Yes via the Lightcloud Blue mobile app and devices. This product will not operate properly when connected to a standard (incandescent) dimmer or dimming control.

#### Driver

CR4/LCBS: Constant Current, Class 2 120-277V 50/60 Hz; 120V: 0.12mA; 208V: 0.06mA; 240V: 0.05mA; 277V: 0.04mA

CR6/LCBS: Constant Current, Class 2 120-277V 50/60 Hz; 120V:

0.14/0.19/0.23mA; 208V: 0.072/0.095/0.11mA; 240V: 0.065/0.085/0.098mA; 277V: 0.06/0.075/0.085mA

CR8/LCBS: Constant Current, Class 2 120-277V 50/60 Hz; 120V:

0.26/0.28/0.33mA; 208V: 0.13/0.14/0.16mA; 240V: 0.11/0.12/0.14mA; 277V: 0.1/0.12/0.15mA

CR10/LCBS: Constant Current, Class 2 120-277V 50/60 Hz; 120V:

0.29/0.34/0.37mA; 208V: 0.15/0.17/0.18mA; 240V: 0.13/0.15/0.16mA; 277V: 0.12/0.135/0.15mA

#### Input Voltage

120-277V

#### Operating Frequency

50/60 Hz

#### Operating Temperature

-4°F to 104°F (-20°C to 40°C)

#### THD

0.2

#### Power Factor

0.9

#### Flicker

30%

#### For Emergency Use

No, contact RAB for alternative options.

### OTHER

#### Warranty

RAB warrants that our LED products will be free from defects in materials and workmanship for a period of five (5) years from the date of delivery to the end user, including coverage of light output, color stability, driver performance and fixture finish. RAB's warranty is subject to all terms and conditions found at [rablighting.com/warranty](http://rablighting.com/warranty).

Download the Lightcloud Blue app for free to get started!

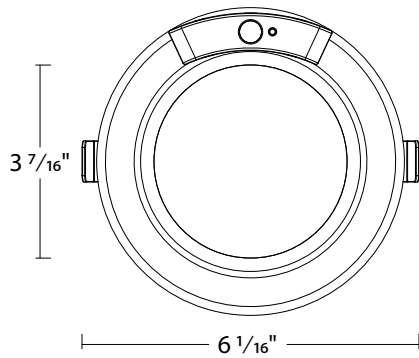
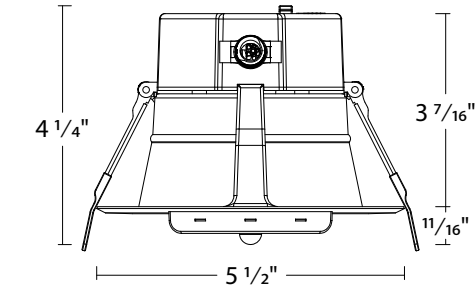


# CR Field-Adjustable Motion Sensor

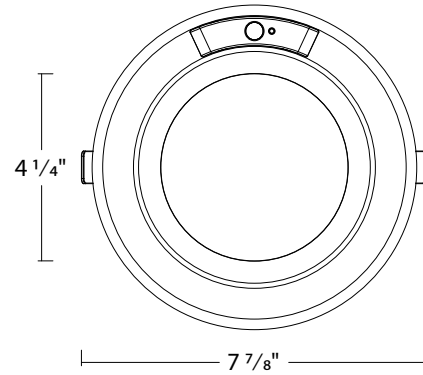
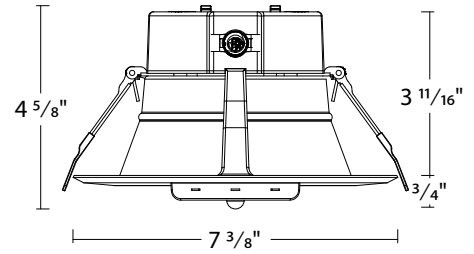


## DIMENSIONS

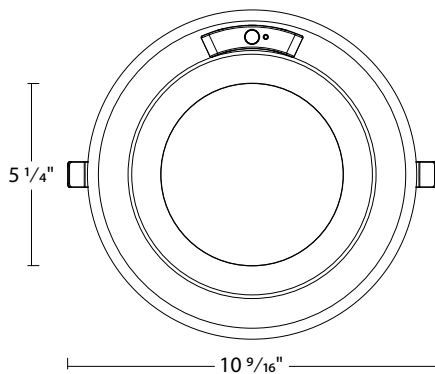
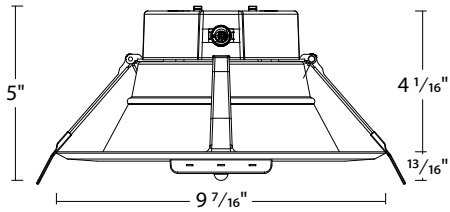
CR4/LCBS  
0.78 lbs



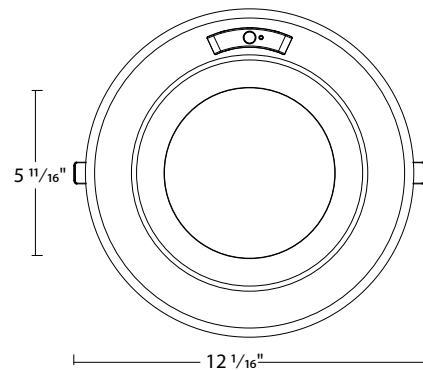
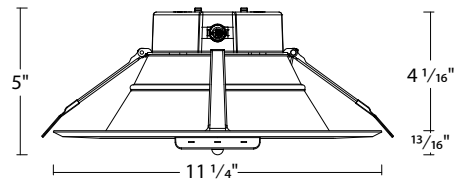
CR6/LCBS  
1.01 lbs



CR8/LCBS  
1.31 lbs



CR10/LCBS  
1.54 lbs

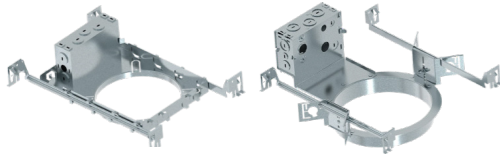


# CR Field-Adjustable Motion Sensor



## OPTIONAL ACCESSORIES

### Mounting Frames (Rough-Ins)



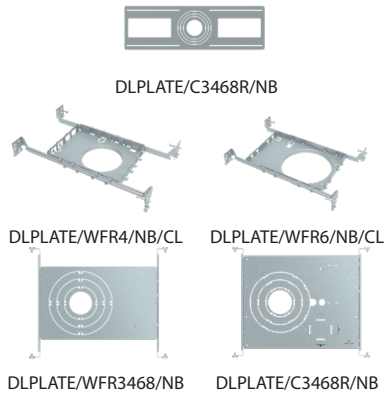
6" Round

8" Round

Catalog Number	UPC	Description
DLFRAME/C6R	192552000697	Commercial DL Frame 6"
DLFRAME/C8R	192552000703	Commercial DL Frame 8"

Note: Not compatible with all models, see product specification sheet.

### Mounting Plates



DLPLATE/C3468R/NB

DLPLATE/WFR4/NB/CL

DLPLATE/WFR6/NB/CL

DLPLATE/WFR3468/NB

DLPLATE/C3468R/NB

Catalog Number	UPC	Description
DLPLATE/WFR3456	0192552025584	DL ECO MOUNTING PLATE GREY FOR WAFER 3"/4"5"6"
DLPLATE/WFR4/NB/CL	0192552036993	MOUNTING PLATE FOR WAFER 4" W/ DRY-WALL COLLAR & EXTENSION BAR
DLPLATE/WFR6/NB/CL	0192552037006	MOUNTING PLATE FOR WAFER 6" W/ DRY-WALL COLLAR & EXTENSION BAR
DLPLATE/WFR3468/NB	0192552000673	MOUNTING PLATE WITH NAILER BAR FOR 4" AND 6"
DLPLATE/C3468R/NB	0192552000680	MOUNTING PLATE WITH NAILER BAR FOR 6", 8" AND 10"

### Battery backup



Catalog Number	UPC	Description
EMB-25	192552051200	EMERGENCY DRIVER 100-347V 25W 0-10V DIM

## ORDERING INFO

Catalog Number	Model Number	UPC	Case Pack
CR4/LCBS	CR4/LCBS	192552056717	4
CR6/LCBS	CR6/LCBS	192552056724	4
CR8/LCBS	CR8/LCBS	192552056731	4
CR10/LCBS	CR10/LCBS	192552056748	4

## ORDERING MATRIX

Family	Size/ Wattage	Shape	CRI/Color Temp	Finish	Trim	Driver	Controls						
CR													
4	4", 12W	Blank	Round	Blank	90 CRI,	Blank	White	Blank	Smooth	Blank	120-277V	/LCBS	Lightcloud Blue w/PIR Sensor
6	6", 23/19/14W				2700/3000/3500/4000/5000K								
8	8", 33/28/26W				CCT Adjustable								
10	10", 37/34/29W												