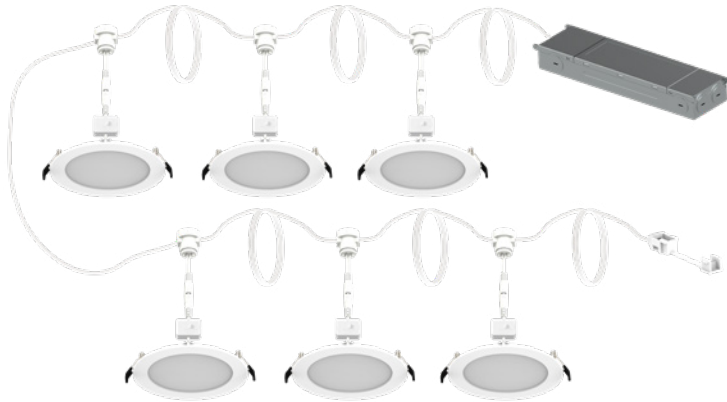


# Daisy Chain Wafer Downlight, 0-10V Dimming



PROJECT:

DATE:

TYPE:

PREPARED BY:



(\*Apply to daisy wafer kit only.)

Low-voltage lighting kit powered by a single driver



## KEY FEATURES

- Power multiple wafers with a single driver (4" up to 10 pcs., 6" up to 8 pcs.)
- 5 color temperatures in 1 SKU (2700/3000/3500/4000/5000K)
- Super slim, edge-lit fixture
- Canless installation, no recessed housings or junction box required
- New construction or retrofit applications
- 120-277V input voltage, dimmable with select 0-10V dimmers

## PERFORMANCE SUMMARY

Catalog Number	Size	Product Type	Trim	Wattage Equivalency	Input Wattage	Lumens (Nominal)	Efficacy	Color Temperature
DAISYKIT4	4"	Daisy Wafer Kit w/Driver	Smooth	(6)-60W Incandescent	54W	4,459 lm	83 lm/W	Field-adjustable dip switch 2700/3000/3500/4000/5000K
DAISYKIT6	6"			(6)-75W Incandescent	72W	6,739 lm	96 lm/W	
DAISYKIT4B	4"	Daisy Wafer Kit w/Driver	Baffle	(6)-60W Incandescent	54W	4,488 lm	84 lm/W	
DAISYKIT6B	6"			(6)-75W Incandescent	72W	6,689 lm	95 lm/W	

# Daisy Chain Wafer Downlight, 0-10V Dimming



## PHOTOMETRIC DATA



Smooth Lens

	Catalog Number	Wattage	CCT	Lumens	Efficacy
Kit System	DAISYKIT4	54W	2700K	3960 lm	74 lm/W
			3000K	4193 lm	78 lm/W
			3500K	4383 lm	82 lm/W
			4000K	4459 lm	83 lm/W
			5000K	4384 lm	82 lm/W
Individual Downlight	DAISY4	8.5W	2700K	659 lm	68 lm/W
			3000K	696 lm	71 lm/W
			3500K	729 lm	75 lm/W
			4000K	740 lm	76 lm/W
			5000K	727 lm	75 lm/W
Kit System	DAISYKIT6	72W	2700K	6055 lm	86 lm/W
			3000K	6317 lm	90 lm/W
			3500K	6635 lm	94 lm/W
			4000K	6739 lm	96 lm/W
			5000K	6647 lm	95 lm/W
Individual Downlight	DAISY6	11W	2700K	1008 lm	82 lm/W
			3000K	1049 lm	85 lm/W
			3500K	1099 lm	89 lm/W
			4000K	1114 lm	91 lm/W
			5000K	1098 lm	89 lm/W



Baffle Lens

	Catalog Number	Wattage	CCT	Lumens	Efficacy
Kit System	DAISYKIT4B	54W	2700K	4005 lm	75 lm/W
			3000K	4223 lm	79 lm/W
			3500K	4426 lm	83 lm/W
			4000K	4488 lm	84 lm/W
			5000K	4403 lm	82 lm/W
Individual Downlight	DAISY4B	8.5W	2700K	669 lm	69 lm/W
			3000K	706 lm	73 lm/W
			3500K	740 lm	76 lm/W
			4000K	750 lm	77 lm/W
			5000K	734 lm	76 lm/W
Kit System	DAISYKIT6B	72W	2700K	6095 lm	87 lm/W
			3000K	6310 lm	90 lm/W
			3500K	6592 lm	94 lm/W
			4000K	6689 lm	95 lm/W
			5000K	6571 lm	94 lm/W
Individual Downlight	DAISY6B	11W	2700K	1019 lm	83 lm/W
			3000K	1056 lm	86 lm/W
			3500K	1101 lm	90 lm/W
			4000K	1115 lm	91 lm/W
			5000K	1094 lm	89 lm/W

## TECHNICAL SPECIFICATIONS

### CONSTRUCTION

**Product Type** Daisy Chain Wafer Kit

Kit Includes:

- (1) 92W 120-277V 0-10V dimmable Driver
- (6) LED modules 4" or 6"
- (1) 50 ft 12V low voltage self healing cable

**Size** 4" and 6"

**Shape** Round

**Enclosure Material** Polycarbonate

**Finish** White

**Trim Style** Smooth Lens or Regressed Baffle

**Lens** Polycarbonate light diffuser distributes light evenly and smoothly for general lighting applications

**Cut Out Template Size**

4" : 4-5/16"

6" : 6-5/16"

### JUNCTION BOX

- Pre-galvanized steel driver/junction box with captive hinged junction box cover
- Three 1/2" conduit pry-outs
- Accepts Romex types: 14-2, 14-3, 12-2, 12-3 (U.S.)
- Three 4-port push wire nuts with clear caps for quick and reliable mains voltage connections
- Integral mounting holes facilitate direct mounting to building structure

### ELECTRICAL

**Dimmable** Yes, 0-10V dims down to 5% (*See Dimmer Compatibility List*)

**Driver** 92W 120-277V Driver is noise free and includes quick connectors for simple wiring during installation.

**THD** <20%

**Power Factor** ≥0.9

**Input Voltage** 120-277V

**Operating Frequency** 60Hz

**Operating Temperature** -13°F to 104°F (-25°C to 40°C)

**Flicker** ≤30%

### COMPLIANCE

**Safety Listing** UL Listed

**Environment** Suitable for use in dry, damp, and wet environments.

**IC Rated** Suitable for direct contact with insulation.

Type IC inherently protected, suitable for direct contact to air permeable insulation and cULus listed for damp locations. Not for use in direct contact with spray foam insulation, consult NEMA LSD57-2013.

**Energy Star Approved\*** This product is ENERGY STAR® Version 2.2 Certified.

**Air Tight** Housing certified Air Tight as per ASTM E283

**California Title 24 JA8 Compliant\*** Can be used to conform with the requirements of California Title 24 Part 6

**California Energy Commission (CEC) Status** Lawful for Sales in California

**NEC Compliant** Suitable for use in closets. Compliant with NEC Sec. 410.16 (A)(1) and 410.16 (C3).

**IESNA LM-79 & LM80 Testing** RAB LED luminaires and LED components have been tested by an independent laboratory in accordance with IESNA LM-79 and LM-80.

**FCC** Complies with Part 15 of the FCC Rules.

**RoHS** Mercury and UV free. RoHS-compliant components.

*\*Apply to daisy wafer kit only.*

### INSTALLATION

**Mounting** Recessed

### LED CHARACTERISTICS

**Color Temperature** Field-adjustable dip switch 2700/3000/3500/4000/5000K

**Color Accuracy (CRI)** >90 CRI

**R9 Value** High color performance with R9 greater than or equal to 50

**Color Consistency** 4-step MacAdam Ellipse binning to achieve consistent fixture-to-fixture color

**Color Stability** LED color temperature is warranted to shift no more than 200K in color temperature over a 5-year period

**Color Uniformity** RAB's range of Correlated Color Temperature follows the guidelines of the American National Standard for Specifications for the Chromaticity of Solid State Lighting (SSL) Products, ANSI C78.377-2017.

### OTHER

#### Warranty

RAB warrants that our LED products will be free from defects in materials and workmanship for a period of five (5) years from the date of delivery to the end user, including coverage of light output, color stability, driver performance and fixture finish.

RAB's warranty is subject to all terms and conditions found at [rablighting.com/warranty](http://rablighting.com/warranty).

**Note** All values are typical (tolerance +/- 10%)

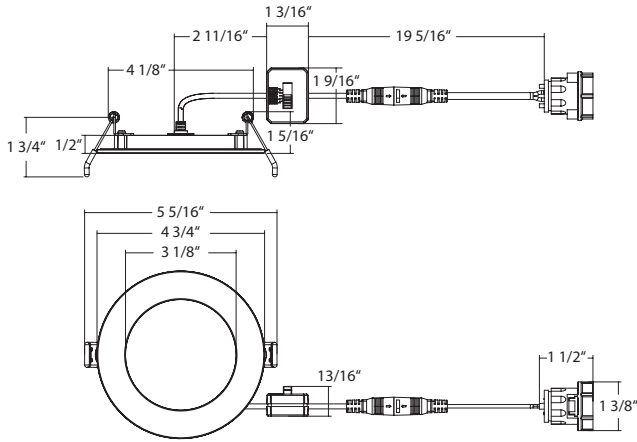
# Daisy Chain Wafer Downlight, 0-10V Dimming



## DIMENSIONS

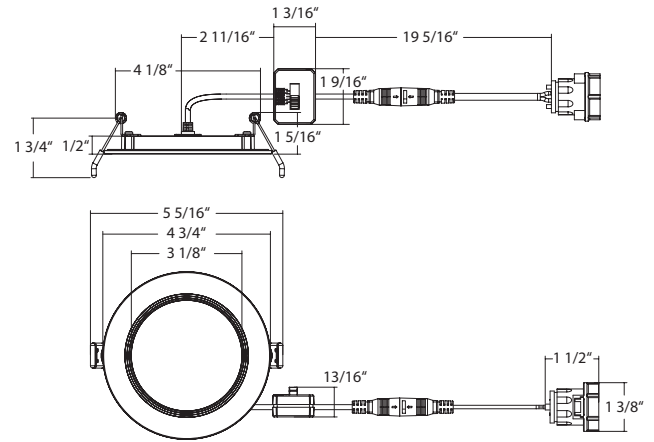
### 4" Smooth, Round

Weight: 0.47 lb



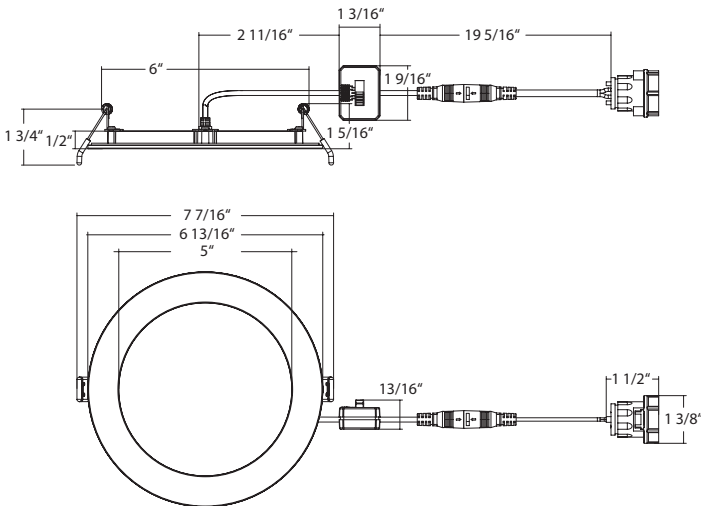
### 4" Baffle, Round

Weight: 0.48 lb



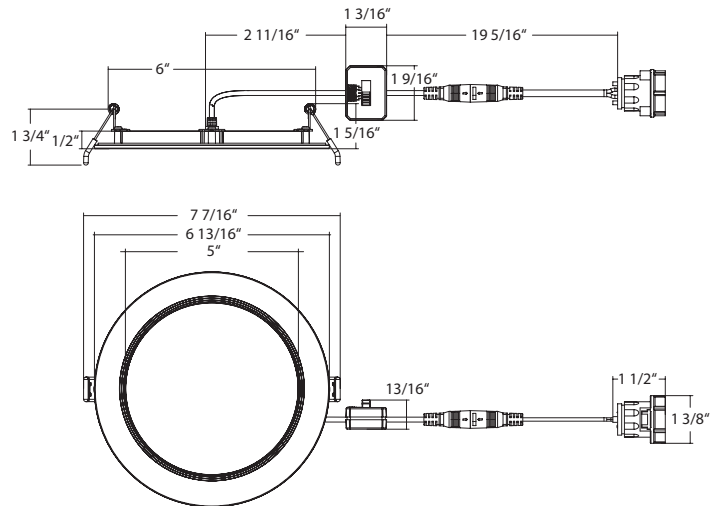
### 6" Smooth, Round

Weight: 0.77 lb

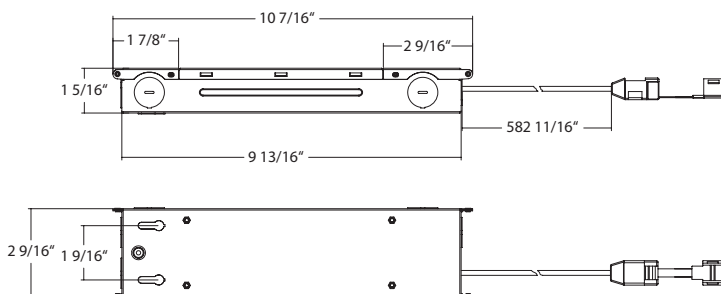


### 6" Baffle, Round

Weight: 0.78 lb



### Daisy Kit Driver



# Daisy Chain Wafer Downlight, 0-10V Dimming



## DAISY CHAIN WAFER ACCESSORIES\*

### Individual LED Downlight Modules



DAISY4

DAISY6

DAISY4B

DAISY6B

### Individual 120-277V 0-10V Dimmable Driver



DAISYDRIVER/D10

### Daisy Driver 50 ft Extension Cable



DAISY50

\*Items can be purchased separately as individuals SKUs to create a kit, or used to extend a kit.

## OTHER ACCESSORIES

**Color Trims** *Color Trims are compatible with Smooth Lens models only.*

Size	Catalog Number	Description
4" Downlight	WFRL-TRIM-4R-BS	4" Round Trim, Black
	WFRL-TRIM-4R-BRS	4" Round Trim, Bronze
	WFRL-TRIM-4R-BNS	4" Round Trim, Brushed Nickel
6" Downlight	WFRL-TRIM-6R-BS	6" Round Trim, Black
	WFRL-TRIM-6R-BRS	6" Round Trim, Bronze
	WFRL-TRIM-6R-BNS	6" Round Trim, Brushed Nickel

### Goof Rings

Catalog Number	Description
WFRL-GOOF-4R-6R-W	For extending 4" wafer to 6"
WFRL-GOOF-6R-8R-W	For extending 6" wafer to 8"

### Emergency Back Up Drivers

Catalog Number	Description
DRI-21-EMGR-DC-D10	8W Input, 21W Output Driver

### New Construction Mounting Plates

Catalog Number	Description
DLPLATE/WFR3468/NB	Mounting Plate with Nailer Bar for 3"/4"/6"/8" Wafers
DLPLATE/WFR4/NB/CL	Mounting Plate for Wafer 4" w/ Drywall Collar & Extension Bar
DLPLATE/WFR6/NB/CL	Mounting Plate for Wafer 6" w/ Drywall Collar & Extension Bar
DLPLATE/WFR3456	Mounting Plate for 3"/4"/5"/6" Wafers
DLPLATE/WFR4	4" Wafer Mounting Plate w/o Nailer Bar
DLPLATE/WFR6	6" Wafer Mounting Plate w/o Nailer Bar

### Extension Cables

Catalog Number	Description
EXTCBL-CCT-6	6' Extension Cable for Wafer CCT
EXTCBL-CCT-12	12' Extension Cable for Wafer CCT
EXTCBL-CCT-20	20' Extension Cable for Wafer CCT

## ORDERING INFO

Catalog Number	Certification Model Number	UPC	Case Pack
DAISYKIT4	DAS0001(DAISYKIT4)	192552028530	24
DAISYKIT6	DAS0002(DAISYKIT6)	192552028547	24
DAISY4	DAS0003(DAISY4)	192552028554	12
DAISY6	DAS0004(DAISY6)	192552028561	12
DAISYKIT4B	DAS0005(DAISYKIT4B)	192552028578	24
DAISYKIT6B	DAS0006(DAISYKIT6B)	192552028585	24
DAISY4B	DAS0007(DAISY4B)	192552028592	12
DAISY6B	DAS0008(DAISY6B)	192552028608	12

## ORDERING MATRIX

Family	Kit	Size	Shape	CRI/Color Temp	Voltage	Finish	Trim				
DAISY	<input type="text"/>	<input type="text"/>	<input type="text"/>	<input type="text"/>	<input type="text"/>	<input type="text"/>	<input type="text"/>				
	Blank KIT	1 wafer, 0 driver 6 wafers, 1 driver	4 6	4"/8.5W wafer 6"/11W wafer	Blank Round	Blank	90CRI, Field-Adjustable 2700/3000/3500/4000/5000K	Blank 120-277V	Blank White	Blank B	Smooth Baffle