

ECOMBO34 Exit Sign Combo



PROJECT: _____

DATE: _____

TYPE: _____

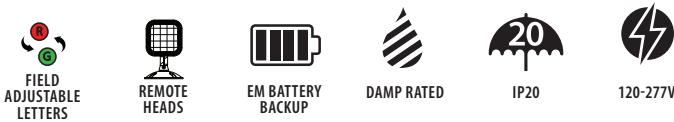
PREPARED BY: _____



KEY FEATURES

- Universal mounting and double-face with interchangeable red/green color letters
- Injection-molded, engineering grade, 5VA flame retardant, high-impact resistant, thermoplastic in white and black housing finish
- Integrated battery back up, 90 minutes of emergency power
- Remote output power 2W at 3.6VDC. Supports up to two (2) single or one (1) double 3.6VDC remote heads
- Meets UL924, NFPA 101 Life Safety Code, NEC, OSHA, local and state codes. Compliant with California Title 20

Color Switching, Thermoplastic Exit Combo



PERFORMANCE

Catalog Number	Finish	Remote Head	Letter Color	Input Power	Lumens (lm)	Color Temperature	Input Voltage (V)	Battery Voltage	Maximum Output Wattage (W)
ECOMBO34	White	No	Red	1.8W	160 lm	6500K	120-277V	3.6V	2W
ECOMBO34-R		Yes							4W
ECOMBO34-RG		No	Red / Green Switchable						2W
ECOMBO34-RGR		Yes							4W
ECOMBO34-RG-B	Black	No	Red / Green Switchable	1.8W	160 lm	6500K	120-277V	3.6V	2W
ECOMBO34-RGR-B		Yes							4W

TECHNICAL SPECIFICATIONS

CONSTRUCTION

Product Type

Ultra-economy Low profile thermoplastic emergency light

Housing Material

Injection-molded thermoplastic ABS housing, UL 94V-0 flame rating

Housing Finish

White & Black finish

Lettering

Features 6" height letters with 3/4" stroke in both red and green colors.

Face Configuration

Supplied with two faces for single or double face installation

Arrow configuration

Field-installable, removable chevron directional indicators for all configurations

Illumination Source

2 Lamp heads

Optical System

SMT LED lamp heads for emergency mode

Head Orientation

Adjustable heads for aiming light where required 330° Rotation, 40° Tilt configurations

Remote Capable

Yes - Remote version supports up to two (2) 3.6VDC remote heads

INSTALLATION

Mounting

Universal J-Box mounting pattern

Application

Wall mount

Mounting Height

7.5 ft

Emergency egress coverage (ft) Mounting at height of 7.5 ft

14 ft x 3 ft mounted @ 7.5 ft

Spacing Criteria for Emergency Egress

13 ft on center assuming 7.5 ft mounting height with egress path 3 ft out

ELECTRICAL

Operating Frequency

50/60 Hz

Input Current @120V (A)

Standard: 0.015A

Remote: 0.02A

Input Current @277V (A)

Standard: 0.035A

Remote: 0.45A

Operating Temperature

32°F to 104°F (0°C to 40°C)

Power Factor

0.4

EMERGENCY CHARACTERISTICS

Battery Backup

Yes

Emergency Illumination

Minimum 90 minutes emergency operation

Battery

Built-in 3.6V 1000mAh NI-MH battery

Recharge Time

Maximum 24 hours for full recharge time

Battery Operating Temperature

32°C to 104°C (0°F to 40°F)

Testing Method

Integrated test switch & charge indicator

COMPLIANCE

Listings

UL Listed, UL924 Compliant

Environment

Suitable for use indoors in dry and damp environments

IP Rating

IP20

Illumination standard

NEC and OSHA illumination standards

California Title 20 Compliant

Yes

California Energy Commission (CEC) Status

Lawful for sales in California

RoHS

Mercury and UV free. RoHS-compliant components

FCC

Complies with Part 15 of the FCC Rules

OTHER

Warranty

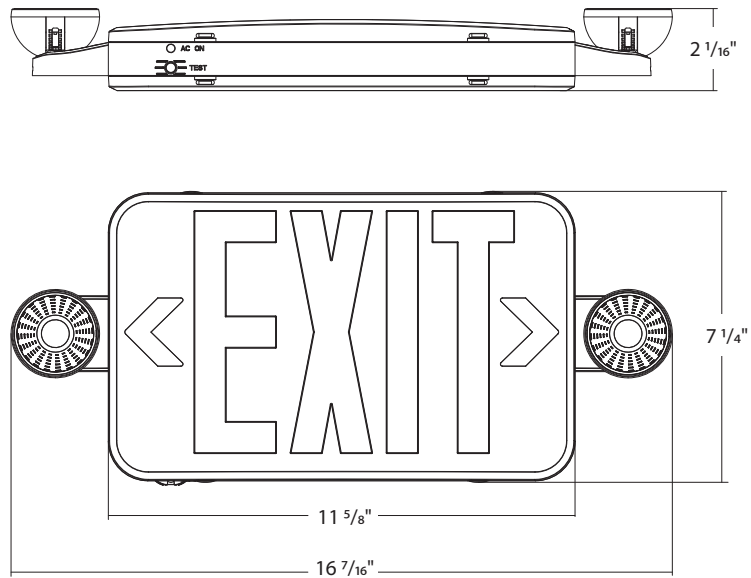
RAB warrants that our LED products will be free from defects in materials and workmanship for a period of three (3) years from the date of delivery to the end user, including coverage of light output, color stability, driver performance and fixture finish. RAB's warranty is subject to all terms and conditions found at rablighting.com/warranty.

ECOMBO34 Exit Sign Combo



DIMENSIONS

ECOMBO34
Weight: 2.7 lbs



ACCESSORIES

Standard Remote Heads



Catalog Number	No. of Heads	UPC	Description
EREMOTE-1	Max 2	192552021869	Indoor Remote Heads 1 Head Multi-Volt
EREMOTE	Max 1	192552021906	Indoor Remote Heads 2 Heads Multi-Volt
EREMOTE-1B	Max 2	192552054508	Indoor Remote Heads 1 Head Multi-Volt Black-Housing
EREMOTE-B	Max 1	192552033329	Indoor Remote Heads 2 Heads Black-Housing Multi-Volt

Waterproof Remote Heads



Catalog Number	No. of Heads	UPC	Description
EREMOTEOUT-1	Max 2	192552033336	Outdoor Remote Heads 1 Head Grey-Housing
EREMOTEOUT	Max 1	192552033343	Outdoor Remote Heads 2 Heads Grey-Housing
EREMOTEOUT-1B	Max 2	192552054515	Outdoor Remote Heads 1 Head Black-Housing
EREMOTEOUT-B	Max 1	192552054522	Outdoor Remote Heads 2 Heads Black-Housing
EREMOTEOUT-1W	Max 2	192552046190	Outdoor Remote Heads 1 Head White-Housing
EREMOTEOUT-W	Max 1	192552046206	Outdoor Remote Heads 2 Heads White-Housing

ECOMBO34 Exit Sign Combo



ORDERING INFO

Catalog Number	UPC	Case Pack
ECOMBO34	192552019897	6
ECOMBO34-R	192552019873	6
ECOMBO34-RG	192552027083	6
ECOMBO34-RGR	192552027069	6
ECOMBO34-RG-B	192552054577	6
ECOMBO34-RGR-B	192552054584	6

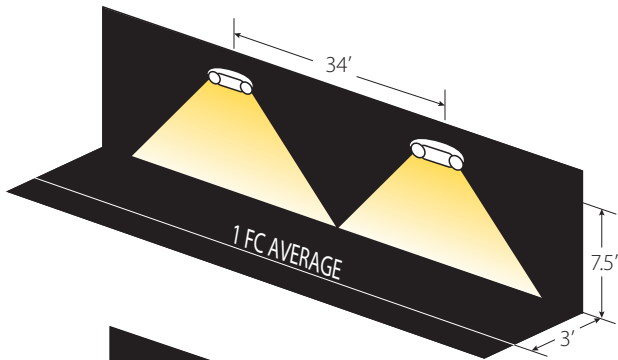
ORDERING MATRIX

Family	Lettering Color	Remote Capacity	Housing Color	Number of Sides
ECOMBO34	<input type="text"/> Blank RG Red Red/Green Selectable	<input type="text"/> Blank R Not Remote Capable Remote Capable	<input type="text"/> Blank B White Black	<input type="text"/> Blank Universal One Side or Doubled-Sided Faces with Removable Left/Right Arrows

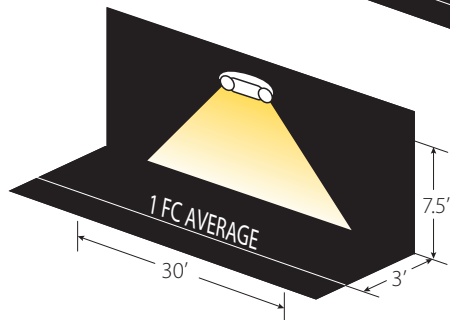
MAXIMUM SPACING GUIDELINES

Mounting Height	Path of Egress, 3' Out		Path of Egress, 6' Out		Application Notes
	Single Luminaire	Multiple luminaires	Single Luminaire	Multiple luminaires	
7.5'	30'	34'	24'	26'	Room Size: 50' L x 8' W x 9' H Direct calculation method used. Reflectances excluded.
	Tilt: 40°	Tilt: 40°	Tilt: 50°	Tilt: 50°	
	Orient: 60°	Orient: 60°	Orient: 40°	Orient: 40°	

NFPA 101 Life Safety Code emergency egress: 1 FC average, 0.1 FC minimum & 40:1 max:min



Example of multiple luminaires lighting a 3' path of egress.



Example of a single luminaire lighting a 3' path of egress.