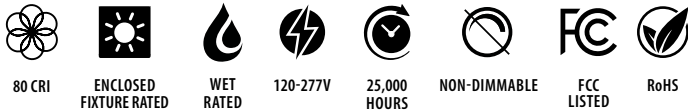


Filament ED28 CRI80 clear



PROJECT: _____

DATE: _____

TYPE: _____

PREPARED BY: _____



KEY FEATURES

- Replaces traditional 175W Metal Halide
- Integral driver enables lamp to be wired directly to line voltage without need for an external driver or ballast
- Rated for use in open and enclosed fixtures in **dry, damp, or wet** locations
- Full glass design provides **omnidirectional output**
- 25,000-Hour lifespan
- **3-Year, No-Compromise Warranty**

PERFORMANCE

Catalog Number	Equivalency	Input Wattage	Lumens	Efficacy	Color Temperature	CRI	L70 Lifespan
ED28-36-EX39-850-F-C	175W Metal Halide	36W	6,000 Lm	167 Lm/W	5000K	80+	25,000 hr

TECHNICAL SPECIFICATIONS

CONSTRUCTION

Product Type
Filament HID Replacement

Bulb Shape
ED28

Enclosure Material
Glass

Endcap Material
Ceramic

Lens Finish
Clear

Base Type
EX39

Beam Angle
360°

COMPLIANCE

Safety Listing
UL Listed

Environment
Suitable for use in dry, damp, and wet environments.

Fixture Rating
Suitable for use in enclosed fixtures

IP Rating
IP65

California Energy Commission (CEC) Status
Lawful for Sales in California

RoHS
Mercury and UV free. RoHS-compliant components.

FCC
Complies with Part 15 of the FCC Rules

TECHNICAL SPECIFICATIONS

ELECTRICAL

Dimmable

No, not suggested for dimming applications

Power Factor

≥0.9

Input Voltage

120-277V

Operating Frequency

50-60 Hz

Input Current @ 120V (mA)

330mA

Operating Temperature

-4°F to 113°F (-20°C to 45°C)

Flicker

<70%

Surge Protection

4kV

LED Characteristics

Color Temperature

5000K

Color Accuracy (CRI)

≥80

R9 Value

High color performance with R9 no less than 0

Color Consistency

<6-step MacAdam Ellipse binning to achieve consistent fixture-to-fixture color

INSTALLATION METHOD

Installation Method

UL Type B

Installation Orientation

Vertical

OTHER

Warranty

RAB warrants that our LED products will be free from defects in materials and workmanship for a period of three (3) years from the date of delivery to the end user, including coverage of light output, color stability, driver performance and fixture finish.

RAB's warranty is subject to all terms and conditions found at rablighting.com/warranty.

Buy American Act Compliance

RAB values USA manufacturing! Upon request, RAB may be able to manufacture this product to be compliant with the Buy American Act (BAA). Please contact customer service to request a quote for the product to be made BAA compliant.

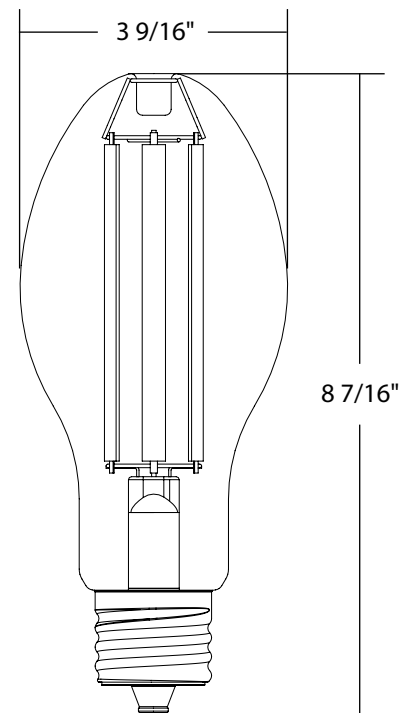
Note

All values are typical (tolerance +/- 10%)

DIMENSIONS

ED28

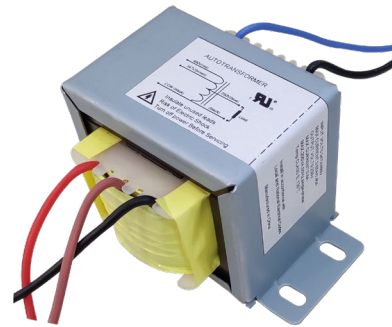
Weight: 0.91 lb



ACCESSORIES



Surge protector



Step down transformer

Catalog Number	UPC	Description
SP10KV	019813749273	HID Replacements 10KV surge protector 30PK
XFMR200-480-277	019813833071	HID Replacements XFMR200 transformer 200W 480V

ORDERING INFO

Catalog Number	Model Number	UPC	Case Pack
ED28-36-EX39-850-F-C	H20024(ED28-36-EX39-850-F-C)	192552025546	6

ORDERING MATRIX

Family	Wattage	Base Type	CRI/Color Temp	Type	Finish
ED28	36 36W	EX39 Extended Mogul	850 80 CRI, 5000K	F Filament	C Clear