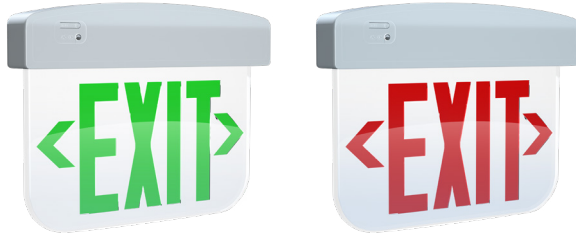


# EXITEDGE34 Edge-Lit Exit Sign



PROJECT:

DATE:

TYPE:

PREPARED BY:



## Ultra-Economy Edge-Lit Exit Sign



\*Select models

### KEY FEATURES

- Single-face, clear panel with red or green letters
- Modern edge-lit design
- Options with 90 minutes of emergency illumination
- Mounting options for wall/ceiling surface mount
- Select models compliant with California Title 20

### PERFORMANCE

Catalog Number	# of Faces	Housing Material	Housing Color	Letter Color	Arrow Direction	Battery Backup	Mounting	Remote Capacity	Self Diagnostic
EXITEDGE34-1GW	Single Face	Thermoplastic	White	Green	Adhesive Arrows Included	None	Wall/Ceiling Mount	No	No
EXITEDGE34-1GW/E	Single Face	Thermoplastic	White	Green	Adhesive Arrows Included	90 minutes	Wall/Ceiling Mount	No	No
EXITEDGE34-1W	Single Face	Thermoplastic	White	Red	Adhesive Arrows Included	None	Wall/Ceiling Mount	No	No
EXITEDGE34-1W/E	Single Face	Thermoplastic	White	Red	Adhesive Arrows Included	90 minutes	Wall/Ceiling Mount	No	No

### TECHNICAL SPECIFICATIONS

#### CONSTRUCTION

**Product Type**  
Edge-lit Exit Sign

**Shape**  
Rectangle

**Housing Material**  
Thermoplastic

**Panel Material**  
Acrylic

**Panel Color**  
Clear

**Letter Color**  
Red, Green

**Housing Color**  
White

**Number of Faces**  
Single Face

**Arrow Direction**  
No Arrow

**Arrow Material**  
Adhesive (included)

**Sign Format**  
Edge-lit

**Remote Capacity**  
No

**Number of Heads**  
None

#### ELECTRICAL

**Input Voltage**  
120-277V

**Operating Frequency**  
60Hz

**Operating Temperature**  
32°F to 122°F (0°C to 50°C)

**Emergency Illumination\***  
90 minutes

**Battery Backup\***  
Battery Backup

**Battery Type\***  
Nickel Cadmium

**Battery Voltage\***  
4.8V

**Recharge Time Required\***  
24 hours

**Storage Temperature**  
68°F to 86°F (20°C to 30°C)

**Storage Shelf Life\***  
3 years before the initial charge.  
5 years after initial charge.

**Self Diagnostics\***  
Manual Test, Self Diagnostics

\*Select models

# EXITEDGE34 Edge-Lit Exit Sign



## TECHNICAL SPECIFICATIONS (CONT.)

### INSTALLATION

#### Mounting Method

Back/Top/End

#### Mounting Type

Wall/Ceiling Mount

#### Cold Weather Rated

No

### COMPLIANCE

#### Listings

UL924 Listed, NFPA 101 (*current Life Safety Code*), NEC and OSHA illumination standards

#### Environment

Suitable for indoor use in dry and damp environments.

#### IP Rating

Indoor

#### California Title 20 Compliant

Can be used to conform with the requirements of California Title 20.

#### California Title 24 jA8 Compliant

No

#### California Energy Commission (CEC) Status

Lawful for Sales in California

#### FCC

Complies with Part 15 of the FCC Rules.

### OTHER

#### Warranty

The RAB 5-year, limited warranty covers light output, driver performance, paint finish and labor.

RAB's warranty is subject to all terms and conditions found at [rablighting.com/warranty](http://rablighting.com/warranty).

Battery is prorated.

#### Note

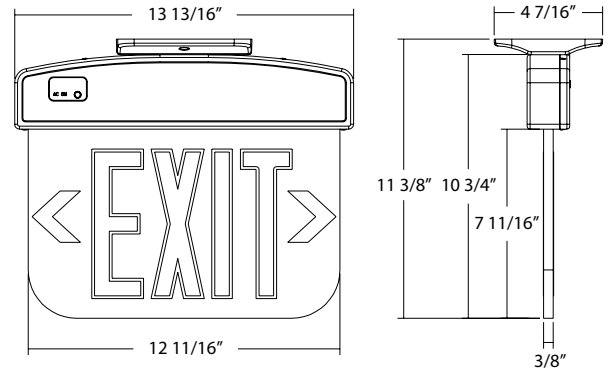
All values are typical (tolerance +/- 10%)

\*Select models

## DIMENSIONS

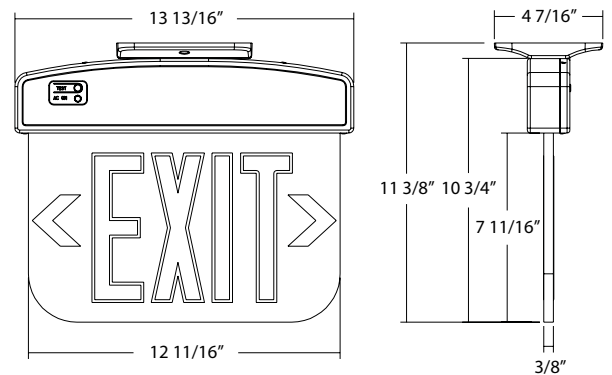
### EXITEDGE34

Weight: 2.95 lbs



### EXITEDGE34 with battery backup

Weight: 2.95 lbs



## ACCESSORIES

### Emergency Remote Test Switch



Catalog Number	UPC	Description
EREMOTE-RTS	192552021944	Emergency remote test button switch

# EXITEDGE34 Edge-Lit Exit Sign



## ORDERING INFO

Catalog Number	Certification Model Number	UPC	Case Pack
EXITEDGE34-1W	PLELRXTEU1RCW	192552021555	4
EXITEDGE34-1W/E	PLELRXTEU1RCWEM	192552021562	4
EXITEDGE34-1GW	PLELRXTEU1GCW	192552021579	4
EXITEDGE34-1GW/E	PLELRXTEU1GCWEM	192552021586	4

## ORDERING MATRIX

Family	Face	Exit Sign Letter Color	Panel	Housing	Arrows	Self Diagnostics	Battery Backup							
EXITEDGE34	-	1		W										
	1	1	Blank G	Red Green	Blank	Clear Panel	W	White	Blank	None	Blank	No Self Diagnostics	Blank	No Battery Backup /E Battery Backup