

Edge-Lit Exit Signs - NYC Approved



PROJECT: _____

DATE: _____

TYPE: _____

PREPARED BY: _____



NYC-Approved Edge-Lit Exit Signs



*Select models

KEY FEATURES

- Single or double-face panel with red letters
- Modern edge-lit design
- Options with 90 minutes of emergency illumination
- Mounting options for wall/ceiling surface mount or recessed ceiling mount
- Select models compliant with California Title 20 and approved for use in New York City

PERFORMANCE

Catalog Number	# of Faces	Housing Color	Panel Color	Letter Color	Arrow Direction	Battery Backup	Remote Capacity	Self Diagnostic	IP Rating	City Compliance
EXITEDGE-1MPNY	Single Face	Aluminum	Mirror	Red	Adhesive Arrows Included	None	No	No	Indoor	New York City
EXITEDGE-1MPNY/E	Single Face	Aluminum	Mirror	Red	Adhesive Arrows Included	90 minutes	No	No	Indoor	New York City
EXITEDGE-1MPSNY/E	Single Face	Aluminum	Mirror	Red	Adhesive Arrows Included	90 minutes	No	Yes	Indoor	New York City
EXITEDGE-1MPWNY	Single Face	White	Mirror	Red	Adhesive Arrows Included	None	No	No	Indoor	New York City
EXITEDGE-1MPWNY/E	Single Face	White	Mirror	Red	Adhesive Arrows Included	90 minutes	No	No	Indoor	New York City
EXITEDGE-1MPWSNY/E	Single Face	White	Mirror	Red	Adhesive Arrows Included	90 minutes	No	Yes	Indoor	New York City
EXITEDGE-1NY	Single Face	Aluminum	Clear	Red	Adhesive Arrows Included	None	No	No	Indoor	New York City
EXITEDGE-1NY/E	Single Face	Aluminum	Clear	Red	Adhesive Arrows Included	90 minutes	No	No	Indoor	New York City
EXITEDGE-RE-1NY	Single Face	Aluminum	Clear	Red	Adhesive Arrows Included	None	No	No	Indoor	New York City
EXITEDGE-RE-1NY/E	Single Face	Aluminum	Clear	Red	Adhesive Arrows Included	90 minutes	No	No	Indoor	New York City
EXITEDGE-1SNY/E	Single Face	Aluminum	Clear	Red	Adhesive Arrows Included	90 minutes	No	Yes	Indoor	New York City
EXITEDGE-1WNY	Single Face	White	Clear	Red	Adhesive Arrows Included	None	No	No	Indoor	New York City
EXITEDGE-1WNY/E	Single Face	White	Clear	Red	Adhesive Arrows Included	90 minutes	No	No	Indoor	New York City
EXITEDGE-1WPNY	Single Face	Aluminum	White	Red	Adhesive Arrows Included	None	No	No	Indoor	New York City

Edge-Lit Exit Signs - NYC Approved



PERFORMANCE (CONT.)

Catalog Number	# of Faces	Housing Color	Panel Color	Letter Color	Arrow Direction	Battery Backup	Remote Capacity	Self Diagnostic	IP Rating	City Compliance
EXITEDGE-1WPNY/E	Single Face	Aluminum	White	Red	Adhesive Arrows Included	90 minutes	No	No	Indoor	New York City
EXITEDGE-1WPSNY/E	Single Face	Aluminum	White	Red	Adhesive Arrows Included	90 minutes	No	Yes	Indoor	New York City
EXITEDGE-1WPWNY	Single Face	White	White	Red	Adhesive Arrows Included	None	No	No	Indoor	New York City
EXITEDGE-1WPWNY/E	Single Face	White	White	Red	Adhesive Arrows Included	90 minutes	No	No	Indoor	New York City
EXITEDGE-1WPWSNY/E	Single Face	White	White	Red	Adhesive Arrows Included	90 minutes	No	Yes	Indoor	New York City
EXITEDGE-1WSNY/E	Single Face	White	Clear	Red	Adhesive Arrows Included	90 minutes	No	Yes	Indoor	New York City
EXITEDGE-MPNY	Double Face	Aluminum	Mirror	Red	Adhesive Arrows Included	None	No	No	Indoor	New York City
EXITEDGE-MPNY/E	Double Face	Aluminum	Mirror	Red	Adhesive Arrows Included	90 minutes	No	No	Indoor	New York City
EXITEDGE-RE-MPNY	Double Face	Aluminum	Mirror	Red	Adhesive Arrows Included	None	No	No	Indoor	New York City
EXITEDGE-RE-MPNY/E	Double Face	Aluminum	Mirror	Red	Adhesive Arrows Included	90 minutes	No	No	Indoor	New York City
EXITEDGE-MPSNY/E	Double Face	Aluminum	Mirror	Red	Adhesive Arrows Included	90 minutes	No	Yes	Indoor	New York City
EXITEDGE-MPWNY	Double Face	White	Mirror	Red	Adhesive Arrows Included	None	No	No	Indoor	New York City
EXITEDGE-MPWNY/E	Double Face	White	Mirror	Red	Adhesive Arrows Included	90 minutes	No	No	Indoor	New York City
EXITEDGE-MPWSNY/E	Double Face	White	Mirror	Red	Adhesive Arrows Included	90 minutes	No	Yes	Indoor	New York City
EXITEDGE-WPNY	Double Face	Aluminum	White	Red	Adhesive Arrows Included	None	No	No	Indoor	New York City
EXITEDGE-WPNY/E	Double Face	Aluminum	White	Red	Adhesive Arrows Included	90 minutes	No	No	Indoor	New York City
EXITEDGE-WPSNY/E	Double Face	Aluminum	White	Red	Adhesive Arrows Included	90 minutes	No	Yes	Indoor	New York City
EXITEDGE-WPWNY	Double Face	White	White	Red	Adhesive Arrows Included	None	No	No	Indoor	New York City
EXITEDGE-WPWNY/E	Double Face	White	White	Red	Adhesive Arrows Included	90 minutes	No	No	Indoor	New York City
EXITEDGE-WPWSNY/E	Double Face	White	White	Red	Adhesive Arrows Included	90 minutes	No	Yes	Indoor	New York City

TECHNICAL SPECIFICATIONS

CONSTRUCTION

Product Type

New York City Compliant Edge-lit Exit Sign

Shape

Rectangle

Housing Material

Aluminum

Panel Material

Acrylic

Panel Color

Clear, white, mirror

Letter Color

Red

Housing Color

Aluminum, white

Number of Faces

Single Face, Double Face

Arrow Direction

Adhesive Arrows Included

Sign Format

Edge-lit

Remote Capacity

No

Number of Heads

None

ELECTRICAL

Input Voltage

120-277V

Operating Frequency

60Hz

Operating Temperature

32°F to 122°F (0°C to 50°C)

Emergency Illumination*

90 minutes

Battery Backup*

Yes

Battery Type*

Nickel Cadmium

Battery Voltage*

4.8V

Recharge Time Required*

24 hours

Storage Temperature

68°F to 86°F (20°C to 30°C)

Storage Shelf Life*

3 years before the initial charge. 5 years after initial charge.

Self Diagnostics*

Yes

INSTALLATION

Mounting Method

Back/Top/End

Mounting Type

Surface, Recessed*

Cold Weather Rated

No

COMPLIANCE

Listings

UL924 Listed, NFPA 101 (*current Life Safety Code*), NEC and OSHA illumination standards

Environment

Suitable for indoor use in dry and damp environments.

IP Rating

Indoor

California Title 20 Compliant

Can be used to conform with the requirements of California Title 20.

California Title 24 jA8 Compliant

No

California Energy Commission (CEC) Status

Lawful for Sales in California

FCC

Complies with Part 15 of the FCC Rules.

OTHER

Warranty

"RAB warrants that our LED products will be free from defects in materials and workmanship for a period of five (5) years from the date of delivery to the end user, including coverage of light output, color stability, driver performance and fixture finish.

RAB's warranty is subject to all terms and conditions found at rablighting.com/warranty.

Battery is prorated.

Note

All values are typical (tolerance +/- 10%)

**Select models*

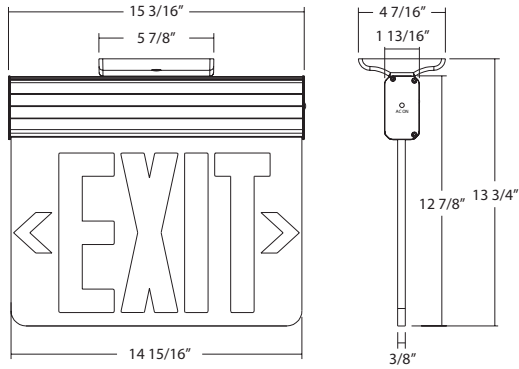
Edge-Lit Exit Signs - NYC Approved



DIMENSIONS

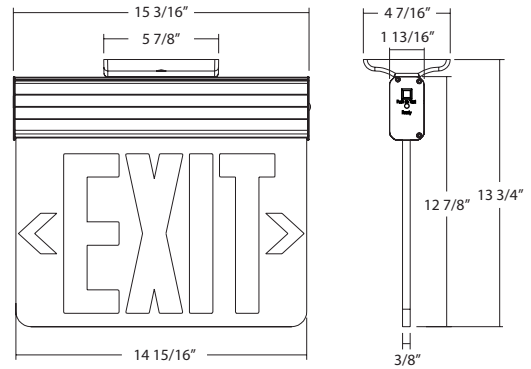
EXITEDGE

Weight: 3.4 lbs



EXITEDGE with battery backup

Weight: 3.4 lbs

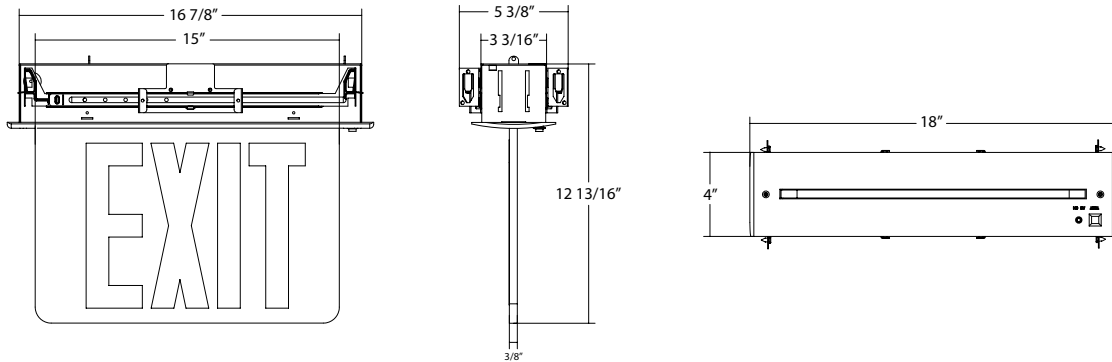


EXITEDGE-RE-1NY

Weight: 8 lbs

EXITEDGE-RE-MPNY/E

Weight: 8.2 lbs



ACCESSORIES

Emergency Remote Test Switch



Catalog Number	UPC	Description
EREMOTE-RTS	192552021944	Emergency remote test button switch

ORDERING MATRIX

Family	Mounting	Face	Exit Sign Letter Color	Panel	Housing	State	Self Diagnostics	Battery Backup
EXITEDGE	-					NY		
Blank	Wall/Ceiling Surface	Blank	Universal	Blank	Red	Blank	Clear	Blank
RE	Recessed Ceiling	1	1	MP	WP	W	White	White
						Blank	Aluminum	Blank
						White	White	White
						NY	New York	Blank
						S	Self Diagnostics	No
								Blank
								/E
								No
								Battery Backup