

# Edge-Lit Exit Signs - Chicago Approved



PROJECT: \_\_\_\_\_

DATE: \_\_\_\_\_

TYPE: \_\_\_\_\_

PREPARED BY: \_\_\_\_\_



## Chicago-Approved Edge-Lit Exit Signs



\*Select models

### KEY FEATURES

- Single or double-face panel with red letters
- Modern edge-lit design
- Options with 120 minutes of emergency illumination
- Mounting options for wall/ceiling surface mount or recessed ceiling mount
- Select models compliant with California Title 20 and approved for use in Chicago

### PERFORMANCE

Catalog Number	# of Faces	Housing Color	Panel Color	Letter Color	Arrow Direction	Battery Backup	Remote Capacity	Self Diagnostic	IP Rating	City Compliance
EXITEDGE-1WPCH	Single Face	Aluminum	White	Red	No Arrow	None	No	No	Indoor	Chicago
EXITEDGE-1WPCH/E	Single Face	Aluminum	White	Red	No Arrow	120 minutes	No	No	Indoor	Chicago
EXITEDGE-1WPDACH	Single Face	Aluminum	White	Red	Double Arrow	None	No	No	Indoor	Chicago
EXITEDGE-1WPDACH/E	Single Face	Aluminum	White	Red	Double Arrow	120 minutes	No	No	Indoor	Chicago
EXITEDGE-1WPLACH	Single Face	Aluminum	White	Red	Left Arrow	None	No	No	Indoor	Chicago
EXITEDGE-1WPLACH/E	Single Face	Aluminum	White	Red	Left Arrow	120 minutes	No	No	Indoor	Chicago
EXITEDGE-1WPRACH	Single Face	Aluminum	White	Red	Right Arrow	None	No	No	Indoor	Chicago
EXITEDGE-1WPRACH/E	Single Face	Aluminum	White	Red	Right Arrow	120 minutes	No	No	Indoor	Chicago
EXITEDGE-1WPWCH	Single Face	White	White	Red	No Arrow	None	No	No	Indoor	Chicago
EXITEDGE-1WPWCH/E	Single Face	White	White	Red	No Arrow	120 minutes	No	No	Indoor	Chicago
EXITEDGE-1WPDACH	Single Face	White	White	Red	Double Arrow	None	No	No	Indoor	Chicago
EXITEDGE-1WPDACH/E	Single Face	White	White	Red	Double Arrow	120 minutes	No	No	Indoor	Chicago
EXITEDGE-1WPWLACH	Single Face	White	White	Red	Left Arrow	None	No	No	Indoor	Chicago
EXITEDGE-1WPWLACH/E	Single Face	White	White	Red	Left Arrow	120 minutes	No	No	Indoor	Chicago

# Edge-Lit Exit Signs - Chicago Approved



## PERFORMANCE (CONT.)

Catalog Number	# of Faces	Housing Color	Panel Color	Letter Color	Arrow Direction	Battery Backup	Remote Capacity	Self Diagnostic	IP Rating	City Compliance
EXITEDGE-1WPWRACH	Single Face	White	White	Red	Right Arrow	None	No	No	Indoor	Chicago
EXITEDGE-1WPWRACH/E	Single Face	White	White	Red	Right Arrow	120 minutes	No	No	Indoor	Chicago
EXITEDGE-RE-WPWCH	Double Face	White	White	Red	No Arrow	None	No	No	Indoor	Chicago
EXITEDGE-RE-WPWCH/E	Double Face	White	White	Red	No Arrow	120 minutes	No	No	Indoor	Chicago
EXITEDGE-RE-1WPWCH	Single Face	White	White	Red	No Arrow	None	No	No	Indoor	Chicago
EXITEDGE-RE-1WPWCH/E	Single Face	White	White	Red	No Arrow	120 minutes	No	No	Indoor	Chicago
EXITEDGE-WPCH	Double Face	Aluminum	White	Red	No Arrow	None	No	No	Indoor	Chicago
EXITEDGE-WPCH/E	Double Face	Aluminum	White	Red	No Arrow	120 minutes	No	No	Indoor	Chicago
EXITEDGE-WPDACH	Double Face	Aluminum	White	Red	Double Arrow	None	No	No	Indoor	Chicago
EXITEDGE-WPDACH/E	Double Face	Aluminum	White	Red	Double Arrow	120 minutes	No	No	Indoor	Chicago
EXITEDGE-WPLRACH	Double Face	Aluminum	White	Red	Left & Right Arrow	None	No	No	Indoor	Chicago
EXITEDGE-WPLRACH/E	Double Face	Aluminum	White	Red	Left & Right Arrow	120 minutes	No	No	Indoor	Chicago
EXITEDGE-WPWCH	Double Face	White	White	Red	No Arrow	None	No	No	Indoor	Chicago
EXITEDGE-WPWCH/E	Double Face	White	White	Red	No Arrow	120 minutes	No	No	Indoor	Chicago
EXITEDGE-WPWDACH	Double Face	White	White	Red	Double Arrow	None	No	No	Indoor	Chicago
EXITEDGE-WPWDACH/E	Double Face	White	White	Red	Double Arrow	120 minutes	No	No	Indoor	Chicago
EXITEDGE-WPWL RACH	Double Face	White	White	Red	Left & Right Arrow	None	No	No	Indoor	Chicago
EXITEDGE-WPWL RACH/E	Double Face	White	White	Red	Left & Right Arrow	120 minutes	No	No	Indoor	Chicago

## TECHNICAL SPECIFICATIONS

### CONSTRUCTION

**Product Type**

Chicago Approved Edge-Lit Exit/Stair Sign

**Shape**

Rectangle

**Housing Material**

Aluminum

**Panel Material**

Acrylic

**Panel Color**

White

**Letter Color**

Red

**Housing Color**

White, aluminum

**Number of Faces**

Single face, double face

**Arrow Direction**

No arrow, left arrow, right arrow, left & right arrow, double arrow

**Sign Format**

Edge-lit

**Remote Capacity**

No

**Number of Heads**

None

### ELECTRICAL

**Input Voltage**

120-277V

**Operating Frequency**

60Hz

**Operating Temperature**

32°F to 122°F (0°C to 50°C)

**Emergency Illumination\***

120 minutes

**Battery Backup\***

Yes

**Battery Type\***

Nickel Cadmium

**Battery Voltage\***

4.8V

**Recharge Time Required\***

24 hours

**Storage Temperature**

68°F to 86°F (20°C to 30°C)

**Storage Shelf Life\***

3 years before the initial charge. 5 years after initial charge.

**Self Diagnostics**

No

### INSTALLATION

**Mounting Method**

Back/Top/End

**Mounting Type**

Surface, Recessed\*

**Cold Weather Rated**

No

### COMPLIANCE

**Listings**

UL924 Listed, NFPA 101 (*current Life Safety Code*), NEC and OSHA illumination standards

**Environment**

Suitable for indoor use in dry and damp environments.

**IP Rating**

Indoor

**California Title 20 Compliant**

Can be used to conform with the requirements of California Title 20.

**California Title 24 jA8 Compliant**

No

**California Energy Commission (CEC) Status**

Lawful for Sales in California

**FCC**

Complies with Part 15 of the FCC Rules.

### OTHER

**Warranty**

"RAB warrants that our LED products will be free from defects in materials and workmanship for a period of five (5) years from the date of delivery to the end user, including coverage of light output, color stability, driver performance and fixture finish.

RAB's warranty is subject to all terms and conditions found at [rablighting.com/warranty](http://rablighting.com/warranty).

Battery is prorated.

**Note**

All values are typical (tolerance +/- 10%)

*\*Select models*

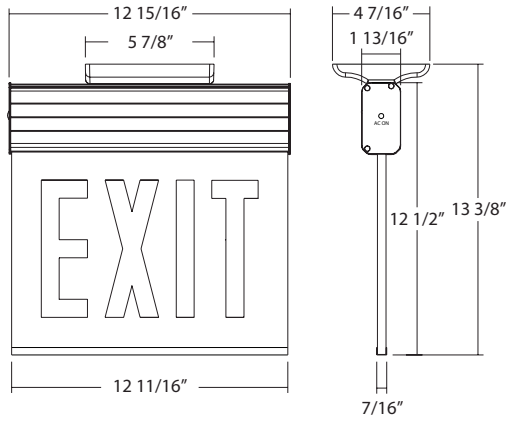
# Edge-Lit Exit Signs - Chicago Approved



## DIMENSIONS

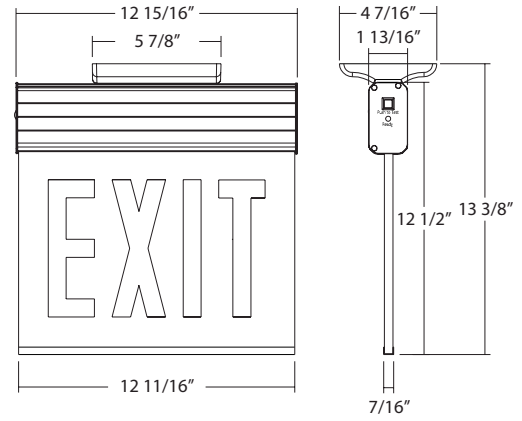
No arrow

Weight: 4 lbs



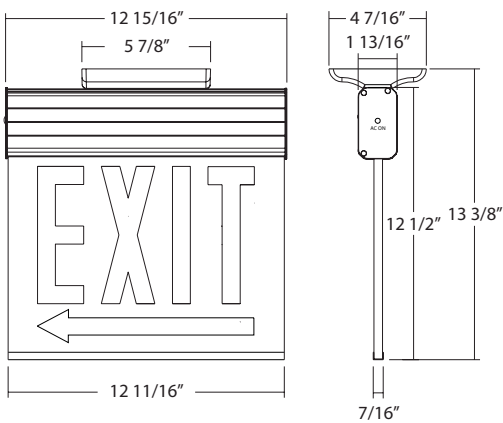
No arrow with battery backup

Weight: 4 lbs



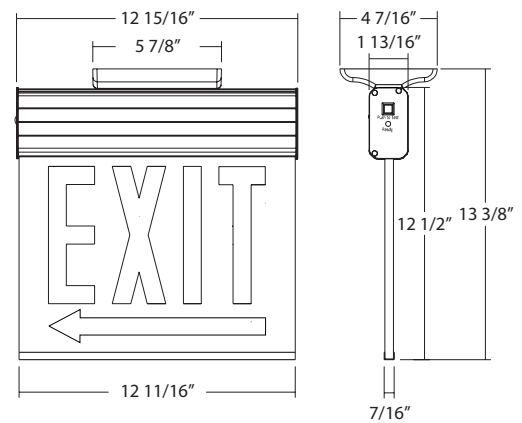
Left arrow

Weight: 4 lbs



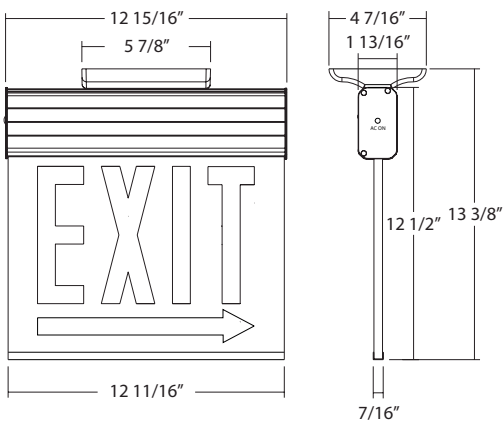
Left arrow with battery backup

Weight: 4 lbs



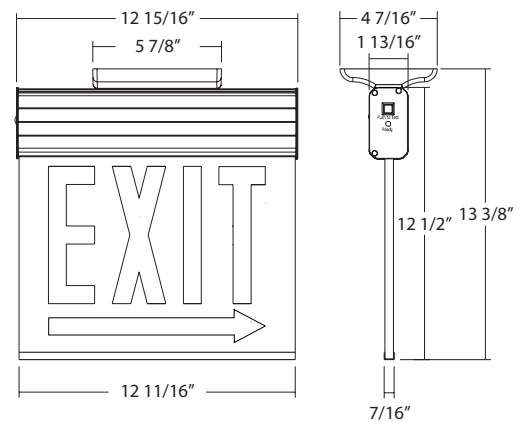
Right arrow

Weight: 4 lbs



Right arrow with battery backup

Weight: 4 lbs



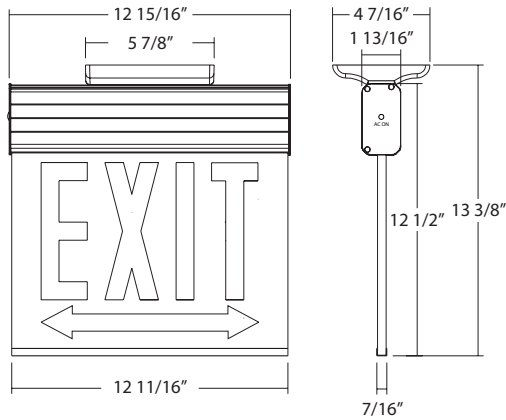
# Edge-Lit Exit Signs - Chicago Approved



## DIMENSIONS (CONT.)

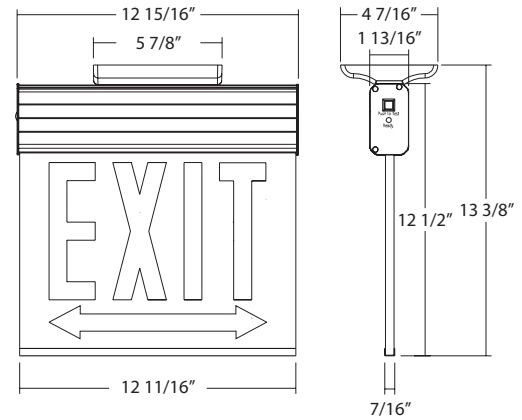
### Left right arrow

Weight: 4 lbs



### Left right arrow with battery backup

Weight: 4 lbs

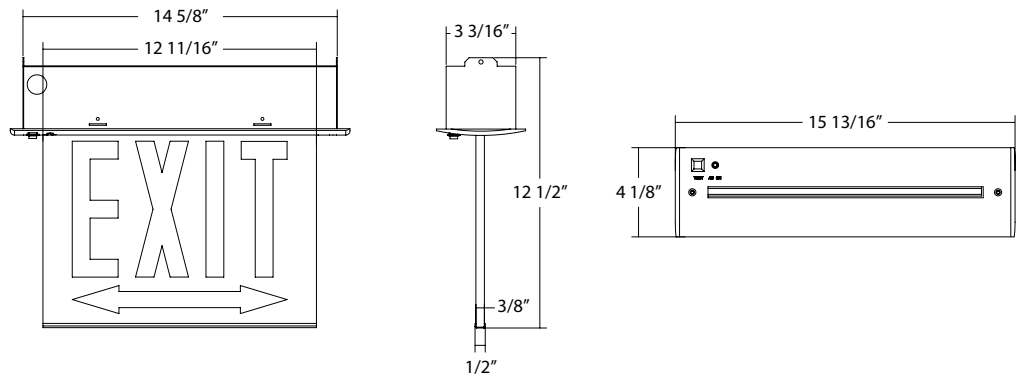


### EXITEDGE-RE-1WPWCH, EXITEDGE-RE-WPWCH

Weight: 6.2 lbs

### EXITEDGE-RE-1WPWCH/E, EXITEDGE-RE-WPWCH/E

Weight: 6.75 lbs



## ACCESSORIES

### Emergency Remote Test Switch



Catalog Number	UPC	Description
EREMOTE-RTS	192552021944	Emergency remote test button switch

## ORDERING MATRIX

Family	Mounting	Face	Exit Sign Letter Color	Panel	Housing	Arrows	State	Battery Backup
EXITEDGE	-			WP			CH	
	Blank Wall/Ceiling Surface 1 RE Recessed Ceiling	Blank Universal Faces 1 Face	Blank Red	WP White	Blank Aluminum White	Blank None DA Double LA Left RA Right LRA Left & Right	CH Chicago	Blank No /E Battery Backup