

Edge-Lit Exit Signs



PROJECT: _____

DATE: _____

TYPE: _____

PREPARED BY: _____



Edge-Lit Exit Signs



*Select models

KEY FEATURES

- Single or double-face panel with red or green letters
- Modern edge-lit design
- Options with 90 minutes of emergency illumination
- Mounting options for wall/ceiling surface mount or recessed ceiling mount
- Select models compliant with California Title 20

PERFORMANCE

Catalog Number	# of Faces	Housing Color	Panel Color	Letter Color	Arrow Direction	Battery Backup	Remote Capacity	Self Diagnostic	IP Rating	City Compliance
EXITEDGE-1	Single Face	Aluminum	Clear	Red	Adhesive Arrows Included	None	No	No	Indoor	N/A
EXITEDGE-1/E	Single Face	Aluminum	Clear	Red	Adhesive Arrows Included	90 minutes	No	No	Indoor	N/A
EXITEDGE-1G	Single Face	Aluminum	Clear	Green	Adhesive Arrows Included	None	No	No	Indoor	N/A
EXITEDGE-1G/E	Single Face	Aluminum	Clear	Green	Adhesive Arrows Included	90 minutes	No	No	Indoor	N/A
EXITEDGE-1GMP	Single Face	Aluminum	Mirror	Green	Adhesive Arrows Included	None	No	No	Indoor	N/A
EXITEDGE-1GMP/E	Single Face	Aluminum	Mirror	Green	Adhesive Arrows Included	90 minutes	No	No	Indoor	N/A
EXITEDGE-1GMPS/E	Single Face	Aluminum	Mirror	Green	Adhesive Arrows Included	90 minutes	No	Yes	Indoor	N/A
EXITEDGE-1GMPW	Single Face	White	Mirror	Green	Adhesive Arrows Included	None	No	No	Indoor	N/A
EXITEDGE-1GMPW/E	Single Face	White	Mirror	Green	Adhesive Arrows Included	90 minutes	No	No	Indoor	N/A
EXITEDGE-1GMPWS/E	Single Face	White	Mirror	Green	Adhesive Arrows Included	90 minutes	No	Yes	Indoor	N/A
EXITEDGE-1GS/E	Single Face	Aluminum	Clear	Green	Adhesive Arrows Included	90 minutes	No	Yes	Indoor	N/A
EXITEDGE-1GW	Single Face	White	Clear	Green	Adhesive Arrows Included	None	No	No	Indoor	N/A
EXITEDGE-1GW/E	Single Face	White	Clear	Green	Adhesive Arrows Included	90 minutes	No	No	Indoor	N/A
EXITEDGE-1GWP	Single Face	Aluminum	White	Green	Adhesive Arrows Included	None	No	No	Indoor	N/A

PERFORMANCE (CONT.)

Catalog Number	# of Faces	Housing Color	Panel Color	Letter Color	Arrow Direction	Battery Backup	Remote Capacity	Self Diagnostic	IP Rating	City Compliance
EXITEDGE-1GWP/E	Single Face	Aluminum	White	Green	Adhesive Arrows Included	90 minutes	No	No	Indoor	N/A
EXITEDGE-1GWPS/E	Single Face	Aluminum	White	Green	Adhesive Arrows Included	90 minutes	No	Yes	Indoor	N/A
EXITEDGE-1GWPW	Single Face	White	White	Green	Adhesive Arrows Included	None	No	No	Indoor	N/A
EXITEDGE-1GWPW/E	Single Face	White	White	Green	Adhesive Arrows Included	90 minutes	No	No	Indoor	N/A
EXITEDGE-1GWPWS/E	Single Face	White	White	Green	Adhesive Arrows Included	90 minutes	No	Yes	Indoor	N/A
EXITEDGE-1GWS/E	Single Face	White	Clear	Green	Adhesive Arrows Included	90 minutes	No	Yes	Indoor	N/A
EXITEDGE-1MP	Single Face	Aluminum	Mirror	Red	Adhesive Arrows Included	None	No	No	Indoor	N/A
EXITEDGE-1MP/E	Single Face	Aluminum	Mirror	Red	Adhesive Arrows Included	90 minutes	No	No	Indoor	N/A
EXITEDGE-1MPS/E	Single Face	Aluminum	Mirror	Red	Adhesive Arrows Included	90 minutes	No	Yes	Indoor	N/A
EXITEDGE-1MPW	Single Face	White	Mirror	Red	Adhesive Arrows Included	None	No	No	Indoor	N/A
EXITEDGE-1MPW/E	Single Face	White	Mirror	Red	Adhesive Arrows Included	90 minutes	No	No	Indoor	N/A
EXITEDGE-1MPWS/E	Single Face	White	Mirror	Red	Adhesive Arrows Included	90 minutes	No	Yes	Indoor	N/A
EXITEDGE-1S/E	Single Face	Aluminum	Clear	Red	Adhesive Arrows Included	90 minutes	No	Yes	Indoor	N/A
EXITEDGE-1W	Single Face	White	Clear	Red	Adhesive Arrows Included	None	No	No	Indoor	N/A
EXITEDGE-1W/E	Single Face	White	Clear	Red	Adhesive Arrows Included	90 minutes	No	No	Indoor	N/A
EXITEDGE-1WP	Single Face	Aluminum	White	Red	Adhesive Arrows Included	None	No	No	Indoor	N/A
EXITEDGE-1WP/E	Single Face	Aluminum	White	Red	Adhesive Arrows Included	90 minutes	No	No	Indoor	N/A
EXITEDGE-1WPS/E	Single Face	Aluminum	White	Red	Adhesive Arrows Included	90 minutes	No	Yes	Indoor	N/A
EXITEDGE-1WPW	Single Face	White	White	Red	Adhesive Arrows Included	None	No	No	Indoor	N/A
EXITEDGE-1WPW/E	Single Face	White	White	Red	Adhesive Arrows Included	90 minutes	No	No	Indoor	N/A
EXITEDGE-1WPWS/E	Single Face	White	White	Red	Adhesive Arrows Included	90 minutes	No	Yes	Indoor	N/A
EXITEDGE-1WS/E	Single Face	White	Clear	Red	Adhesive Arrows Included	90 minutes	No	Yes	Indoor	N/A
EXITEDGE-GMP	Double Face	Aluminum	Mirror	Green	Adhesive Arrows Included	None	No	No	Indoor	N/A
EXITEDGE-GMP/E	Double Face	Aluminum	Mirror	Green	Adhesive Arrows Included	90 minutes	No	No	Indoor	N/A
EXITEDGE-GMPS/E	Double Face	Aluminum	Mirror	Green	Adhesive Arrows Included	90 minutes	No	Yes	Indoor	N/A
EXITEDGE-GMPW	Double Face	White	Mirror	Green	Adhesive Arrows Included	None	No	No	Indoor	N/A

PERFORMANCE (CONT.)

Catalog Number	# of Faces	Housing Color	Panel Color	Letter Color	Arrow Direction	Battery Backup	Remote Capacity	Self Diagnostic	IP Rating	City Compliance
EXITEDGE-GMPW/E	Double Face	White	Mirror	Green	Adhesive Arrows Included	90 minutes	No	No	Indoor	N/A
EXITEDGE-GMPWS/E	Double Face	White	Mirror	Green	Adhesive Arrows Included	90 minutes	No	Yes	Indoor	N/A
EXITEDGE-GWP	Double Face	Aluminum	White	Green	Adhesive Arrows Included	None	No	No	Indoor	N/A
EXITEDGE-GWP/E	Double Face	Aluminum	White	Green	Adhesive Arrows Included	90 minutes	No	No	Indoor	N/A
EXITEDGE-GWPS/E	Double Face	Aluminum	White	Green	Adhesive Arrows Included	90 minutes	No	Yes	Indoor	N/A
EXITEDGE-GWPW	Double Face	White	White	Green	Adhesive Arrows Included	None	No	No	Indoor	N/A
EXITEDGE-GWPW/E	Double Face	White	White	Green	Adhesive Arrows Included	90 minutes	No	No	Indoor	N/A
EXITEDGE-GWPWS/E	Double Face	White	White	Green	Adhesive Arrows Included	90 minutes	No	Yes	Indoor	N/A
EXITEDGE-MP	Double Face	Aluminum	Mirror	Red	Adhesive Arrows Included	None	No	No	Indoor	N/A
EXITEDGE-MP/E	Double Face	Aluminum	Mirror	Red	Adhesive Arrows Included	90 minutes	No	No	Indoor	N/A
EXITEDGE-MPS/E	Double Face	Aluminum	Mirror	Red	Adhesive Arrows Included	90 minutes	No	Yes	Indoor	N/A
EXITEDGE-MPW	Double Face	White	Mirror	Red	Adhesive Arrows Included	None	No	No	Indoor	N/A
EXITEDGE-MPW/E	Double Face	White	Mirror	Red	Adhesive Arrows Included	90 minutes	No	No	Indoor	N/A
EXITEDGE-MPWS/E	Double Face	White	Mirror	Red	Adhesive Arrows Included	90 minutes	No	Yes	Indoor	N/A
EXITEDGE-RE-1	Single Face	Aluminum	Clear	Red	Adhesive Arrows Included	None	No	No	Indoor	N/A
EXITEDGE-RE-1/E	Single Face	Aluminum	Clear	Red	Adhesive Arrows Included	90 minutes	No	No	Indoor	N/A
EXITEDGE-RE-MP	Double Face	Aluminum	Mirror	Red	Adhesive Arrows Included	None	No	No	Indoor	N/A
EXITEDGE-RE-MP/E	Double Face	Aluminum	Mirror	Red	Adhesive Arrows Included	90 minutes	No	No	Indoor	N/A
EXITEDGE-WP	Double Face	Aluminum	White	Red	Adhesive Arrows Included	None	No	No	Indoor	N/A
EXITEDGE-WP/E	Double Face	Aluminum	White	Red	Adhesive Arrows Included	90 minutes	No	No	Indoor	N/A
EXITEDGE-WPS/E	Double Face	Aluminum	White	Red	Adhesive Arrows Included	90 minutes	No	Yes	Indoor	N/A
EXITEDGE-WPW	Double Face	White	White	Red	Adhesive Arrows Included	None	No	No	Indoor	N/A
EXITEDGE-WPW/E	Double Face	White	White	Red	Adhesive Arrows Included	90 minutes	No	No	Indoor	N/A
EXITEDGE-WPWS/E	Double Face	White	White	Red	Adhesive Arrows Included	90 minutes	No	Yes	Indoor	N/A

TECHNICAL SPECIFICATIONS

CONSTRUCTION

Product Type

Edge-Lit Exit Sign

Shape

Rectangle

Housing Material

Aluminum

Panel Material

Acrylic

Panel Color

Clear, white, mirror

Letter Color

Red, Green

Housing Color

Aluminum, white

Number of Faces

Single Face, Double Face

Arrow Direction

Adhesive Arrows Included

Sign Format

Edge-lit

Remote Capacity

No

Number of Heads

None

ELECTRICAL

Input Voltage

120-277V

Operating Frequency

60Hz

Operating Temperature

32°F to 122°F (0°C to 50°C)

Emergency Illumination*

90 minutes

Battery Backup*

Battery Backup

Battery Type*

Nickel Cadmium

Battery Voltage*

4.8V

Recharge Time Required*

24 hours

Storage Temperature

68°F to 86°F (20°C to 30°C)

Storage Shelf Life*

3 years before the initial charge. 5 years after initial charge.

Self Diagnostics*

Yes

INSTALLATION

Mounting Method

Back/Top/End

Mounting Type

Surface, Recessed*

Cold Weather Rated

No

COMPLIANCE

Listings

UL924 Listed, NFPA 101 (*current Life Safety Code*), NEC and OSHA illumination standards

Environment

Suitable for indoor use in dry and damp environments.

IP Rating

Indoor

California Title 20 Compliant

Can be used to conform with the requirements of California Title 20.

California Title 24 jA8 Compliant

No

California Energy Commission (CEC) Status

Lawful for Sales in California

FCC

Complies with Part 15 of the FCC Rules.

OTHER

Warranty

"RAB warrants that our LED products will be free from defects in materials and workmanship for a period of five (5) years from the date of delivery to the end user, including coverage of light output, color stability, driver performance and fixture finish.

RAB's warranty is subject to all terms and conditions found at rablighting.com/warranty.

Battery is prorated.

Note

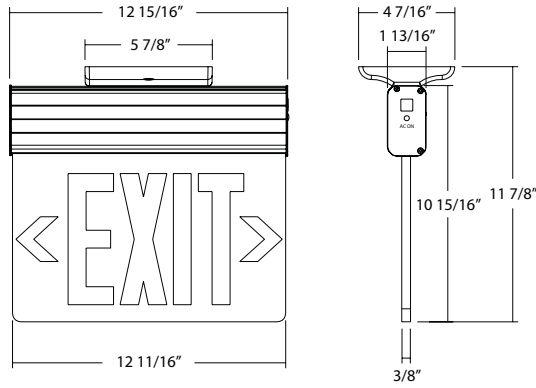
All values are typical (tolerance +/- 10%)

**Select models*

DIMENSIONS

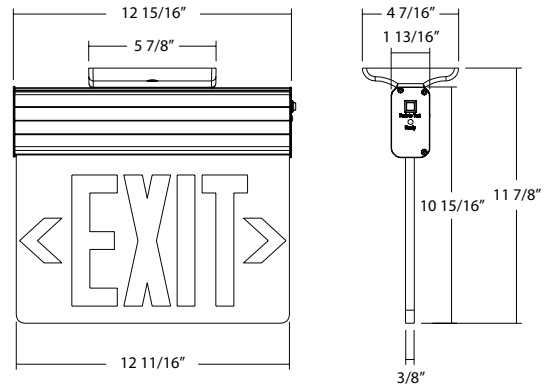
EXITEDGE

Weight: 3.20 lbs



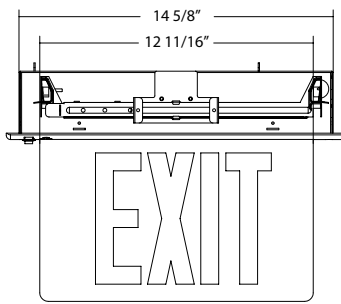
EXITEDGE with battery backup

Weight: 3.20 lbs



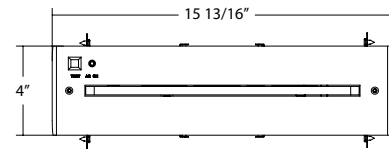
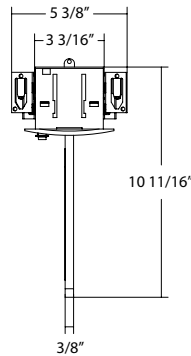
EXITEDGE-RE-1, EXITEDGE-RE-MP

Weight: 6.6 lbs



EXITEDGE-RE-1/E, EXITEDGE-RE-MP/E

Weight: 6.8 lbs



ACCESSORIES

Emergency Remote Test Switch



Catalog Number	UPC	Description
EREMOTE-RTS	192552021944	Emergency remote test button switch

ORDERING MATRIX

Family	Mounting	Face	Exit Sign Letter Color	Panel	Housing	Self Diagnostics	Battery Backup							
EXITEDGE	-													
	Blank RE	Wall/Ceiling Surface Recessed Ceiling	Blank 1	Universal Faces 1 Face	Blank G	Red Green	Blank MP WP	Clear Mirror White	Blank W	Aluminum White	Blank S	No Self Diagnostics	Blank /E	No Battery Backup