

# ELX & ELS Universal Mounting Edge-Lit Exit Sign



ELX



ELXNYC



ELX



ELXNYC

PROJECT: \_\_\_\_\_

DATE: \_\_\_\_\_

TYPE: \_\_\_\_\_

PREPARED BY: \_\_\_\_\_



## KEY FEATURES

- Great for applications requiring an attractive, edge-lit exit sign while remaining budget-friendly
- Comes provided with all mounting hardware included for surface ceiling, wall, end mount, recessed ceiling and wall mount
- Thermoplastic housing is impact-resistant, scratch-resistant, and corrosion-proof (ELX & ELS) NYC-Compliant aluminum housing (ELXNYC & ELSNYC)
- Single-sided clear and double-sided mirror lens panels included
- Select between green and red lettering (ELX & ELS) or standard large Red letters for NYC models.
- Meets UL924, NFPA 101 Life Safety Code, NEC, OSHA, local and state codes. Compliant with California Title 20

Thermoplastic Red/Green Selectable or NYC Compliant Red Lettering Surface, Wall, Ceiling, or Recessed Mounting



## PERFORMANCE

Catalog Number	Housing Material	Finish	Letter Color	Faces	Panel	Mounting	Voltage
ELS	Thermoplastic	White	Red/Green Selectable via dipswitch	Single Face	Clear Acrylic	Surface - Wall, Ceiling, & End Mount	120-277V
ELS-MP				Double Face	Mirror Panel		
ELX				Single Face	Clear Acrylic	Surface - Wall, Ceiling, & End Mount Recessed - Hardware Included	
ELX-MP				Double Face	Mirror Panel		
ELXNYC	Aluminum	Brushed Aluminum	Red	Single Face	Clear Acrylic	Surface - Wall, Ceiling, & End Mount	
ELXNYC-MP				Double Face	Mirror Panel		
ELXNYC				Single Face	Clear Acrylic	Surface - Wall, Ceiling, & End Mount Recessed - Hardware Included	
ELXNYC-MP				Double Face	Mirror Panel		

## TECHNICAL SPECIFICATIONS

### CONSTRUCTION

**Product Type**

Universal Mounting Edge-Lit Exit Sign

**Housing Material**

ELX&ELS - Thermoplastic Housing 5VA Flame Rating  
NYC Models - Aluminum housing

**Housing Finish**

White & Brushed Aluminum

**Panel Material**

Single Face - Clear acrylic exit panel  
Double Face - mirrored

**Lettering**

Standard with Red/Green Color Selection  
NYC Models - Red Lettering - Letters 6" height with 3/4" stroke

**Face Configuration**

Single face or Double face

**Arrow Configuration**

Field-installable, removable chevron directional indicators for all configurations

**Illumination Source**

Long-life LEDs provide diffuse illumination of exit face

### INSTALLATION

**Mounting**

Can be mounted on top, side or end mount.  
ELX versions include Recessed mounting hardware in box

**Application**

Compatible with drywall or drop ceiling mount installations

### ELECTRICAL

**Operating Frequency**

50-60Hz

**Operating Temperature**

32°F to 104°F (0°C to 40°C)

**Power Factor**

0.4

### EMERGENCY CHARACTERISTICS

**Battery Backup**

Yes

**Emergency Illumination**

Minimum 90 minutes emergency operation

**Battery**

Built-in 3.6V 1000mAh NI-MH battery

**Battery Voltage**

3.6V

**Recharge Time**

Maximum 24 hours for full recharge time

**Battery Operating Temperature**

32°C to 104°C (0°F to 40°F)

**Testing Method**

Integrated test switch & charge indicator

### COMPLIANCE

**Listings**

UL Listed, UL924 Compliant

**Environment**

Suitable for use indoors in dry and damp environments

**IP Rating**

IP20

**Illumination standard**

NEC and OSHA illumination standards

**California Title 20 Compliant**

Yes

**California Energy Commission (CEC) Status**

Lawful for sales in California

**RoHS**

Mercury and UV free. RoHS-compliant components

**FCC**

Complies with Part 15 of the FCC Rules

### OTHER

**Warranty**

RAB warrants that our LED products will be free from defects in materials and workmanship for a period of three (3) years from the date of delivery to the end user, including coverage of light output, color stability, driver performance and fixture finish. RAB's warranty is subject to all terms and conditions found at [rablighting.com/warranty](http://rablighting.com/warranty).

# ELX & ELS Universal Mounting Edge-Lit Exit Sign



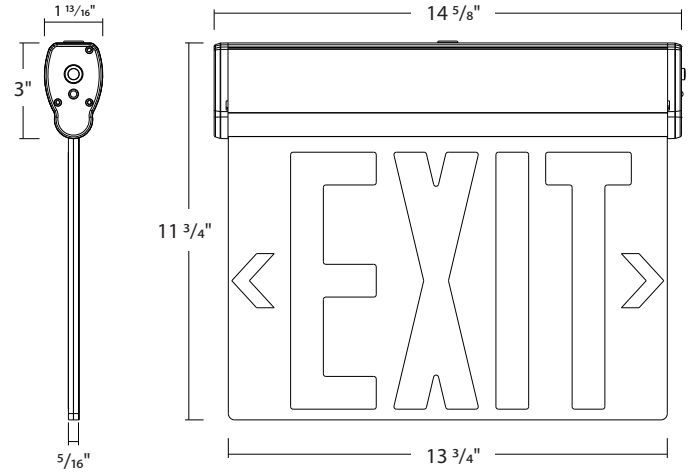
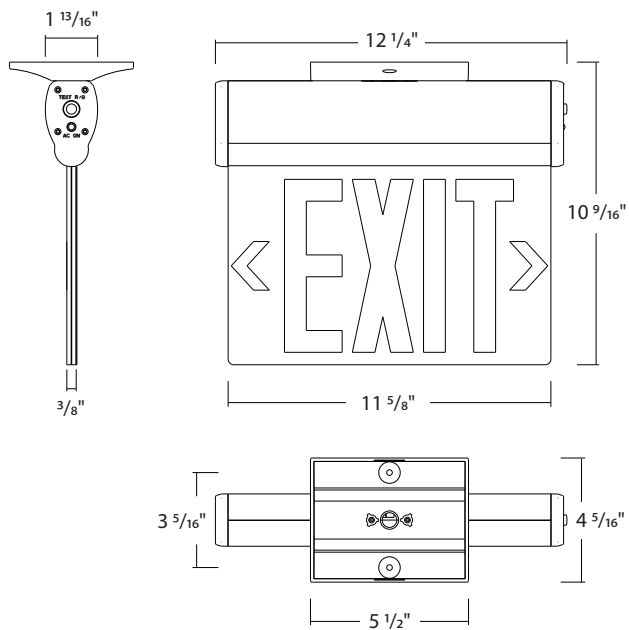
## DIMENSIONS

### ELS & ELS-MP

Weight: 2.293 lbs

### ELSNYC & ELSNYC-MP

Weight: 5.29 lbs

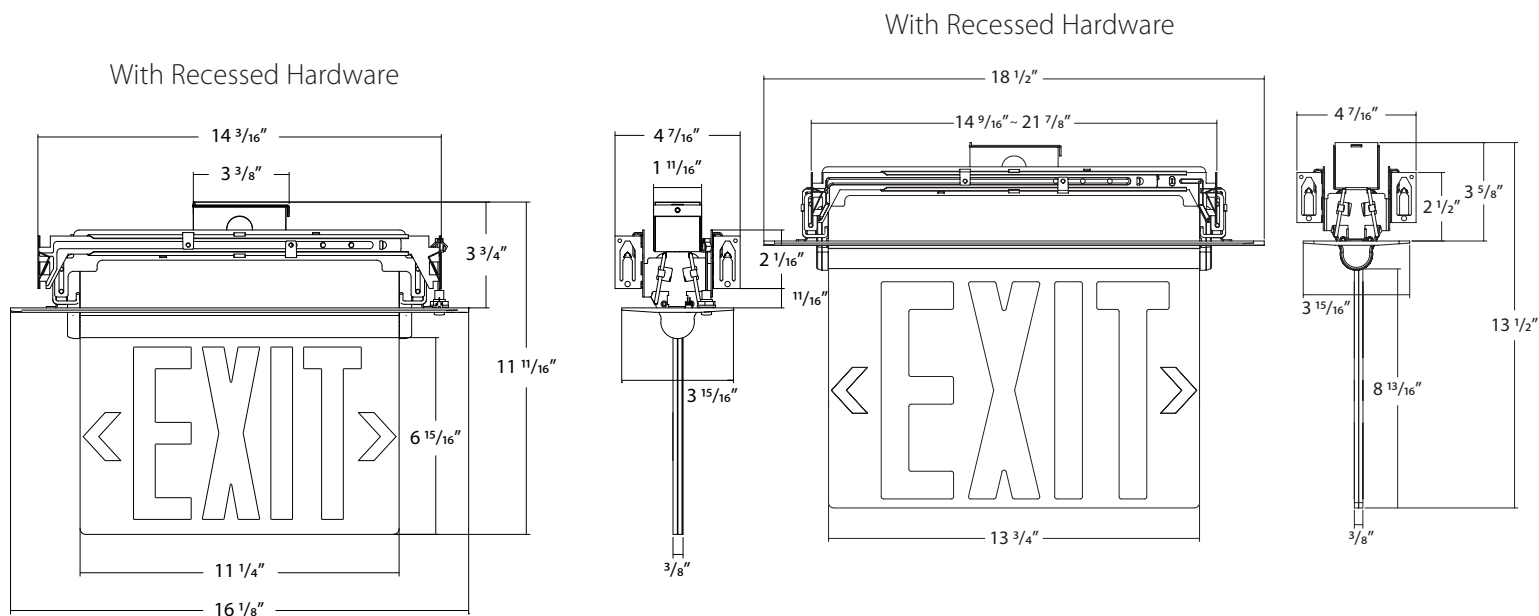


### ELX / ELX-MP

Weight: 4.72lbs.

### ELXNYC / ELXNYC-MP

Weight: 6.22lbs.



# ELX & ELS Universal Mounting Edge-Lit Exit Sign



## ORDERING INFO

Catalog Number	UPC	Case Pack
ELS	192552054539	6
ELS-MP	192552054546	6
ELX	192552046213	2
ELX-MP	192552046220	2
ELSNYC	192552054553	6
ELSNYC-MP	192552054560	6
ELXNYC	192552046237	2
ELXNYC-MP	192552046244	2

## ORDERING MATRIX

Family	Model	Panel	Letter Color	Housing Finish
ELX Edge-Lit Exit Sign Universal Mounting	<input type="text"/>	<input type="text"/>	<input type="text"/>	<input type="text"/>
	<b>Blank</b> Standard Thermoplastic <b>NYC</b> Aluminum NYC Compliant	<b>Blank</b> Clear Panel, Single Face <b>MP</b> Mirror Panel, Double Face	<b>Blank</b> Red or Green Selectable <b>Blank</b> Red Only*	<b>Blank</b> White* <b>Blank</b> Brushed Aluminum**

Family	Model	Panel	Letter Color	Housing Finish
ELS Edge-Lit Exit Sign Universal Mounting without Recessed Mounting	<input type="text"/>	<input type="text"/>	<input type="text"/>	<input type="text"/>
	<b>Blank</b> Standard Thermoplastic <b>NYC</b> Aluminum NYC Compliant	<b>Blank</b> Clear Panel, Single Face <b>MP</b> Mirror Panel, Double Face	<b>Blank</b> Red or Green Selectable <b>Blank</b> Red Only*	<b>Blank</b> White* <b>Blank</b> Brushed Aluminum**

\*NYC Models are red letter only

\*Standard thermoplastic models are White

\*\*NYC models are Brushed Aluminum