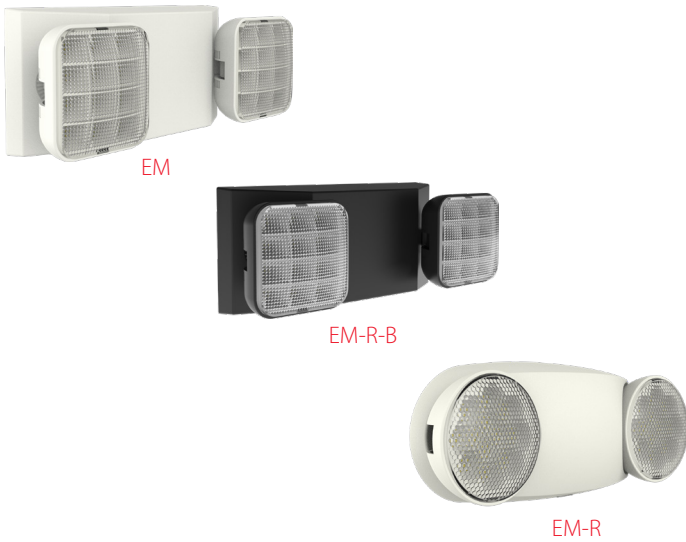


# EM Emergency Lights



PROJECT: \_\_\_\_\_

DATE: \_\_\_\_\_

TYPE: \_\_\_\_\_

PREPARED BY: \_\_\_\_\_



## KEY FEATURES

- Injection-molded thermoplastic ABS housing, UL 94V-0 flame rating, high-impact resistant, thermoplastic in white housing finish
- Adjustable LED lamp heads provide optimal center-to-center spacing. Suitable for wall or ceiling mounting
- Integrated battery backup, 90 minutes of emergency power
- Remote output power 2W at 3.6VDC. Supports up to two (2) single or one (1) double 3.6VDC remote heads
- Meets UL924, NFPA 101 Life Safety Code, NEC, OSHA, local and state codes. Compliant with California Title 20

Thermoplastic, High-Output LED Heads,  
Round or Square



## PERFORMANCE

Catalog Number	Head Shape	Finish	Remote Head	Input Voltage (V)	Lumens (lm)	Input Power	Input Current @120V (A)	Input Current @277V (A)	Maximum Output Wattage (W)	Remote Capacity (W)	Battery Voltage
EM	Square	White	No	120-277V	200 lm	1.2W	0.02A	0.01A	2W	-	3.6V
EM-R			Yes			2W	0.025A	0.018A	4W	2W	
EM-B		Black	No			1.5W	0.02A	0.01A	2W	-	
EM-R-B			Yes			2W	0.025A	0.018A	4W	2W	
EM-R	Round	White	No			2W	0.02A	0.01A	2W	-	
EMR-R			Yes			2W	0.025A	0.018A	4W	2W	

## TECHNICAL SPECIFICATIONS

### CONSTRUCTION

**Product Type**

Emergency thermoplastic unit with round & square heads

**Housing Material**

Injection-molded thermoplastic ABS housing, UL 94V-0 flame rating

**Housing Finish**

White & black finish models available

**Illumination Source**

2 Lamp heads in round or square

**Optical System**

Precision engineered prismatic lens

**Head Orientation**

Adjustable heads for aiming light where required; 330° rotation, 40° tilt

**Remote Capable**

Supports up to two (2) single or one (1) double 3.6VDC remote lamps

### INSTALLATION

**Mounting Universal**

J-Box mounting pattern

**Application**

Wall mount

**Mounting Height**

8 ft

**Emergency egress coverage (ft) Mounting at height of 7.5 ft**

14 ft x 3 ft mounted @ 7.5 ft

**Spacing Criteria for Emergency Egress**

13 ft on center assuming 7.5 ft mounting height with egress path 3 ft out

### ELECTRICAL

**Operating Temperature**

32°F to 104°F (0°C to 40°C)

### EMERGENCY CHARACTERISTICS

**Battery Backup**

Yes

**Emergency Illumination**

Minimum 90 minutes emergency operation

**Battery**

Built-in 3.6V 1000mAh Nickel cadmium battery

**Recharge Time**

Maximum 24 hours for full recharge time

**Battery Operating Temperature**

32°C to 104°C (0°F to 40°F)

**Testing Method**

Integrated test switch & charge indicator

### COMPLIANCE

**Listings**

UL Listed, UL924 Compliant

**Environment**

Suitable for use indoors in dry and damp environments

**IP Rating**

IP20

**Illumination standard**

NEC and OSHA illumination standards

**California Title 20 Compliant**

Yes

**California Energy Commission (CEC) Status**

Lawful for sales in California

**RoHS**

Mercury and UV free. RoHS-compliant components

**FCC**

Complies with Part 15 of the FCC Rules

### OTHER

**Warranty**

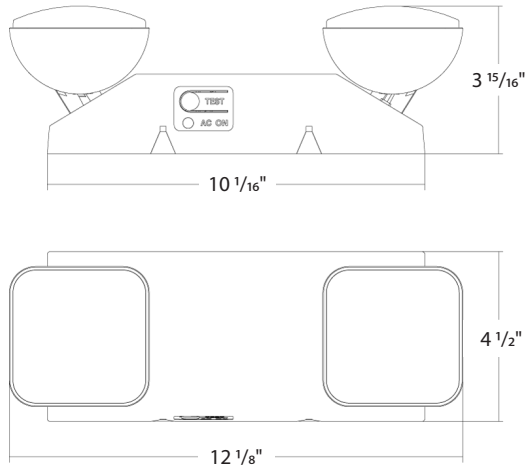
RAB warrants that our LED products will be free from defects in materials and workmanship for a period of three (3) years from the date of delivery to the end user, including coverage of light output, color stability, driver performance and fixture finish. RAB's warranty is subject to all terms and conditions found at [rablighting.com/warranty](http://rablighting.com/warranty).

# EM Emergency Lights

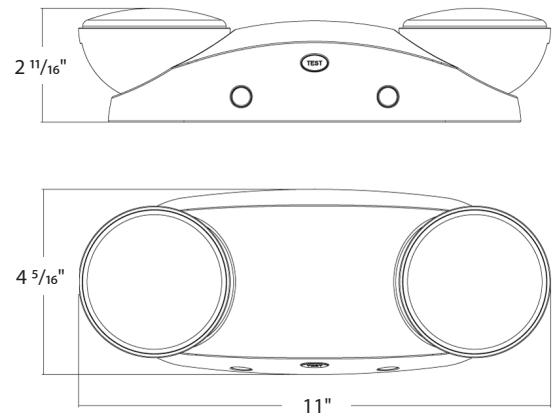


## DIMENSIONS

EM / EM-R  
Weight: 4.72 lbs



EMR / EMR-R  
Weight: 6.22 lbs



## ACCESSORIES

### Standard Remote Heads



Catalog Number	No. of Heads	UPC	Description
EREMOTE-1	Max 2	192552021869	Indoor Remote Heads 1 Head Multi-Volt
EREMOTE	Max 1	192552021906	Indoor Remote Heads 2 Heads Multi-Volt
EREMOTE-1B	Max 2	192552054508	Indoor Remote Heads 1 Head Multi-Volt Black-Housing
EREMOTE-B	Max 1	192552033329	Indoor Remote Heads 2 Heads Black-Housing Multi-Volt

### Waterproof Remote Heads



Catalog Number	No. of Heads	UPC	Description
EREMOTEOUT-1	Max 2	192552033336	Outdoor Remote Heads 1 Head Grey-Housing
EREMOTEOUT	Max 1	192552033343	Outdoor Remote Heads 2 Heads Grey-Housing
EREMOTEOUT-1B	Max 2	192552054515	Outdoor Remote Heads 1 Head Black-Housing
EREMOTEOUT-B	Max 1	192552054522	Outdoor Remote Heads 2 Heads Black-Housing
EREMOTEOUT-1W	Max 2	192552046190	Outdoor Remote Heads 1 Head White-Housing
EREMOTEOUT-W	Max 1	192552046206	Outdoor Remote Heads 2 Heads White-Housing

## ORDERING INFO

Catalog Number	UPC	Case Pack
EM	192552020114	0
EM-R	192552020114	0
EM-B	192552054461	0
EM-R-B	192552054478	0
EMR	192552039727	0
EMR-R	192552039734	0

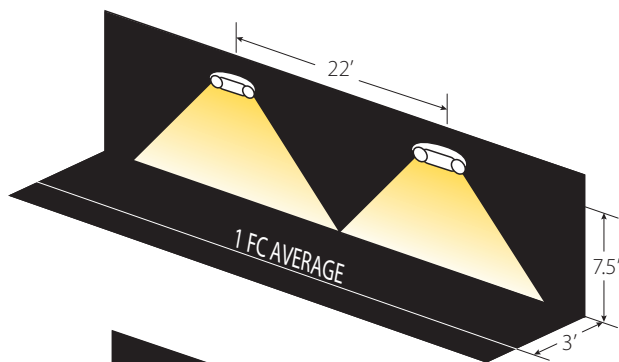
## ORDERING MATRIX

Family	Remote Capacity	Housing Color	Driver
EMR	<input type="text"/>	<input type="text"/>	<input type="text"/>
	Blank R	Not Remote Capable Remote Capable	Blank B
		White Black	120-277V

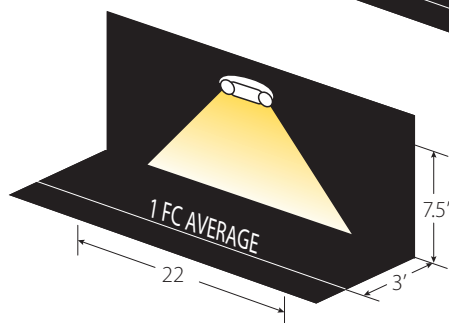
## MAXIMUM SPACING GUIDELINES

Mounting Height	Path of Egress, 3' Out		Path of Egress, 6' Out		Application Notes
	Single Luminaire	Multiple Luminaires	Single Luminaire	Multiple Luminaires	
7.5'	22'	22'	14'	16'	Room Size: 50' L x 8' W x 9' H Direct calculation method used. Reflectances excluded.
	Tilt: 20°	Tilt: 20°	Tilt: 40°	Tilt: 40°	
	Orient: 30°	Orient: 40°	Orient: 30°	Orient: 30°	

NFPA 101 Life Safety Code emergency egress: 1 FC average, 0.1 FC minimum & 40:1 max:min



Example of multiple luminaires lighting a 3' path of egress.



Example of a single luminaire lighting a 3' path of egress.