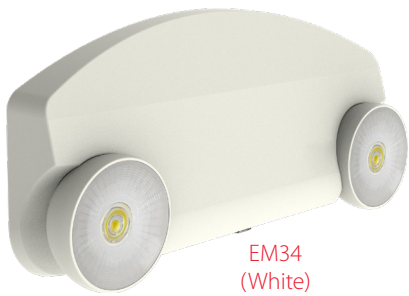
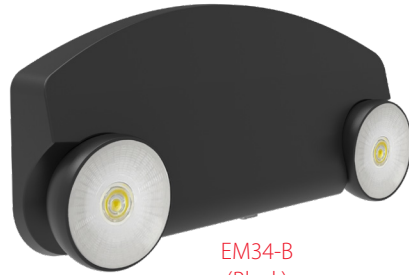


EM34 Emergency Lights



EM34
(White)



EM34-B
(Black)

PROJECT: _____

DATE: _____

TYPE: _____

PREPARED BY: _____



KEY FEATURES

- Low profile Injection-molded thermoplastic ABS housing, UL 94V-0 flame rating
- Integrated battery back up, 90 minutes of emergency power
- Remote head capable up to 2W of output
- Wall mount and ceiling mount. Surface mount back plate fits most industry standard size junction boxes
- Meets UL924, NFPA 101 Life Safety Code, NEC, OSHA, local and state codes. Compliant with California Title 20

Low Profile Thermoplastic Emergency Light



REMOTE HEADS



EM BATTERY BACKUP



DAMP RATED



IP20



120-277V

PERFORMANCE

Catalog Number	Finish	Remote Capable	Self Diagnostic	Input Power	Lumens (lm)	Color Temperature	Input Voltage (V)	Battery Voltage	Maximum Output Wattage (W)
EM34	White	No	No	1.8W	160 lm	6500K	120-277V	3.6V	2W
EM34-R		Yes							4W
EM34-B	Black	No							2W
EM34-R-B		Yes							4W

TECHNICAL SPECIFICATIONS

CONSTRUCTION

Product Type

Ultra-economy emergency unit low profile, thermoplastic dual lamp head emergency unit. Available in white or black finishes with round lamp heads.

Housing Material

Injection-molded thermoplastic ABS housing, UL 94V-0 flame rating

Housing Finish

White & Black finish

Illumination Source

2 Lamp heads

Optical System

High-performance chromeplated reflectors and polycarbonate lenses for optimal light distribution

Head Orientation

Adjustable heads for aiming light where required 330° rotation, 40° tilt

INSTALLATION

Mounting Universal

J-Box mounting pattern

Application

Wall mount

Mounting Height

7.5 ft

Emergency egress coverage (ft) Mounting at height of 7.5 ft

14 ft x 3 ft mounted @ 7.5 ft

Spacing Criteria for Emergency Egress

13 ft on center assuming 7.5 ft mounting height with egress path 3 ft out

ELECTRICAL

Operating Frequency

50/60 Hz

Input Current @120V (A)

Standard 0.02A@120V

Remote Capable 0.025A@120V

Input Current @277V (A)

Standard 0.01A@277V

Remote Capable 0.018A@277V

Operating Temperature

32°F to 104°F (0°C to 40°C)

Power Factor

0.4

EMERGENCY CHARACTERISTICS

Battery Backup

Yes

Emergency Illumination

Minimum 90 minutes emergency operation

Battery

Built-in 3.6V 1000mAh Nickel cadmium battery

Recharge Time

Maximum 24 hours for full recharge time

Battery Operating Temperature

32°C to 104°C (0°F to 40°F)

Testing Method

Integrated test switch & charge indicator

COMPLIANCE

Listings

UL Listed, UL924 Compliant

Environment

Suitable for use indoors in dry and damp environments

IP Rating

IP20

Illumination standard

NEC and OSHA illumination standards

California Title 20 Compliant

Yes

California Energy Commission (CEC) Status

Lawful for sales in California

RoHS

Mercury and UV free. RoHS-compliant components

FCC

Complies with Part 15 of the FCC Rules

OTHER

Warranty

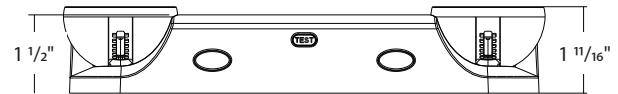
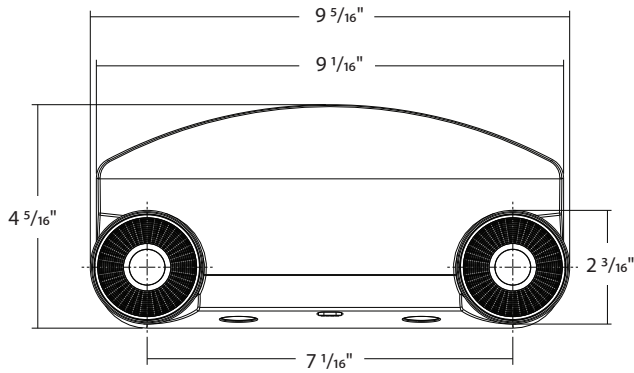
RAB warrants that our LED products will be free from defects in materials and workmanship for a period of three (3) years from the date of delivery to the end user, including coverage of light output, color stability, driver performance and fixture finish. RAB's warranty is subject to all terms and conditions found at rablighting.com/warranty.

EM34 Emergency Lights



DIMENSIONS

EM34 / EM34-B
Weight: 3.79 lbs



ACCESSORIES

Standard Remote Heads



Catalog Number	No. of Heads	UPC	Description
EREMOTE-1	Max 2	192552021869	Indoor Remote Heads 1 Head Multi-Volt
EREMOTE	Max 1	192552021906	Indoor Remote Heads 2 Heads Multi-Volt
EREMOTE-1B	Max 2	192552054508	Indoor Remote Heads 1 Head Multi-Volt Black-Housing
EREMOTE-B	Max 1	192552033329	Indoor Remote Heads 2 Heads Black-Housing Multi-Volt

Waterproof Remote Heads



Catalog Number	No. of Heads	UPC	Description
EREMOTEOUT-1	Max 2	192552033336	Outdoor Remote Heads 1 Head Grey-Housing
EREMOTEOUT	Max 1	192552033343	Outdoor Remote Heads 2 Heads Grey-Housing
EREMOTEOUT-1B	Max 2	192552054515	Outdoor Remote Heads 1 Head Black-Housing
EREMOTEOUT-B	Max 1	192552054522	Outdoor Remote Heads 2 Heads Black-Housing
EREMOTEOUT-1W	Max 2	192552046190	Outdoor Remote Heads 1 Head White-Housing
EREMOTEOUT-W	Max 1	192552046206	Outdoor Remote Heads 2 Heads White-Housing Die-Cast High-L

EM34 Emergency Lights



ORDERING INFO

Catalog Number	UPC	Case Pack
EM34	192552020039	24
EM34-R	192552020015	24
EM34-B	192552054485	12
EM34-R-B	192552054492	12

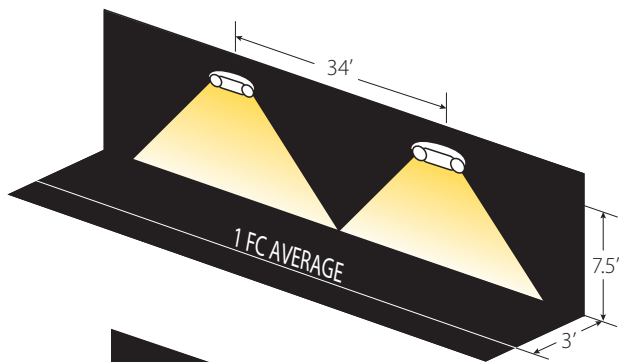
ORDERING MATRIX

Family	Remote Capacity	Housing Color	Driver
EM34	<input type="text"/>	<input type="text"/>	<input type="text"/>
	Blank R	Not Remote Capable Remote Capable	Blank B
		White Black	120-277V

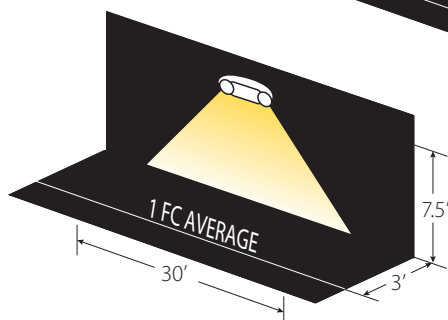
MAXIMUM SPACING GUIDELINES

Mounting Height	Path of Egress, 3' Out		Path of Egress, 6' Out		Application Notes
	Single Luminaire	Multiple Luminaires	Single Luminaire	Multiple Luminaires	
7.5'	30'	34'	24'	26'	Room Size: 50' L x 8' W x 9' H Direct calculation method used. Reflectances excluded.
	Tilt: 40°	Tilt: 40°	Tilt: 50°	Tilt: 50°	
	Orient: 60°	Orient: 60°	Orient: 40°	Orient: 40°	

NFPA 101 Life Safety Code emergency egress: 1 FC average, 0.1 FC minimum & 40:1 max:min



Example of multiple luminaires lighting a 3' path of egress.



Example of a single luminaire lighting a 3' path of egress.