

EM34 Emergency Units



PROJECT:

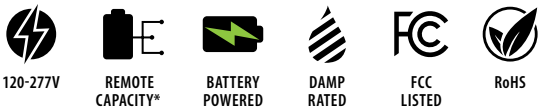
DATE:

TYPE:

PREPARED BY:



Ultra-Economy Emergency Unit



*Select models

KEY FEATURES

- Built with **durable thermoplastic** design
- **Remote head capable** , see Remote Head Compatibility List
- **High-lumen** models
- Options with **90-minutes** of emergency illumination
- Suitable for use **indoor** in dry and damp environments.

PERFORMANCE

Catalog Number	Lumens (per head)	Lumens (per fixture)	Housing Material	Housing Color	Battery Backup	Mounting	# of Heads	Remote Capacity	Self Diagnostic
EM34-R	42 lm	84 lm	Thermoplastic	White	90 minutes	Wall Mount	2-Lamp Heads	Yes	No
EM34-HR	110 lm	220 lm	Thermoplastic	White	90 minutes	Wall Mount	2-Lamp Heads	Yes	No
EM34	42 lm	84 lm	Thermoplastic	White	90 minutes	Wall Mount	2-Lamp Heads	No	No

TECHNICAL SPECIFICATIONS

CONSTRUCTION

Product Type
Emergency unit

Shape
Rectangle

Housing Material
Thermoplastic

Housing Color
White

Remote Capacity
Yes*

Number of Heads
2 Lamp Heads

Head Shape
Round

Remote Heads Replaceable
No

*Select models

ELECTRICAL

Input Voltage
120-277V

Operating Frequency
60Hz

Operating Temperature
32°F to 104°F (0°C to 40°C)

Emergency Illumination
90 minutes

Battery Backup
Yes

Battery Type
Nickel Cadmium

Battery Voltage
3.6V

Recharge Time Required
24 hours

Storage Temperature
68°F to 86°F (20°C to 30°C)

Storage Shelf Life
3 years before the initial charge. 5 years after initial charge.

Self Diagnostics
No

EM34 Emergency Units



TECHNICAL SPECIFICATIONS (CONT.)

INSTALLATION

Mounting Method

Back/Conduit

Mounting Type

Wall Mount

Cold Weather Rated

No

COMPLIANCE

Listings

UL924 Listed

Environment

Suitable for use in dry and damp environments.

California Title 20 Compliant

No

California Title 24 JA8 Compliant

No

California Energy Commission (CEC) Status

Lawful for Sales in California

FCC

Complies with Part 15 of the FCC Rules.

OTHER

Warranty

The RAB 5-year, limited warranty covers light output, driver performance, paint finish and labor.

RAB's warranty is subject to all terms and conditions found at rablighting.com/warranty.

Battery is prorated.

Note

All values are typical (tolerance +/- 10%)

ACCESSORIES (SOLD SEPARATELY)



Single Remote Head



Single Remote Head
Outdoor



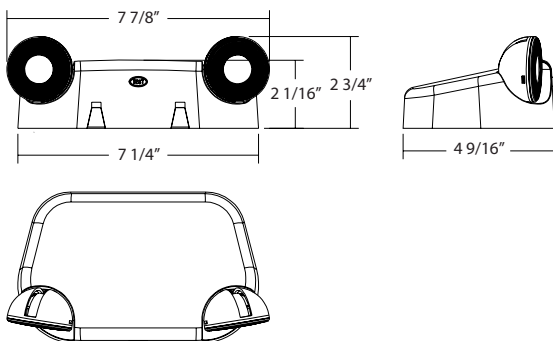
Emergency Remote
Test Switch

Catalog Number	UPC	Description
EREMOTE-1	192552021869	Single remote head
EREMOTEOUT-1	192552033336	Single remote head, outdoor
EREMOTE-RTS	192552021944	Emergency remote test button switch

DIMENSIONS

EM34

Weight: 0.6 lb



EM34 Emergency Units



ORDERING INFO

Catalog Number	Certification Model Number	UPC	Case Pack
EM34-R	E-1RC-V2	192552020015	24
EM34-HR	E-1-HL	192552020022	24
EM34	E-1-V2	192552020039	24

ORDERING MATRIX

Family	Heads	High Lumen	Remote Capacity	Housing
EM34	-			
	Blank 2 Heads	Blank H	No High Lumen R	No Remote Capacity
				Blank White