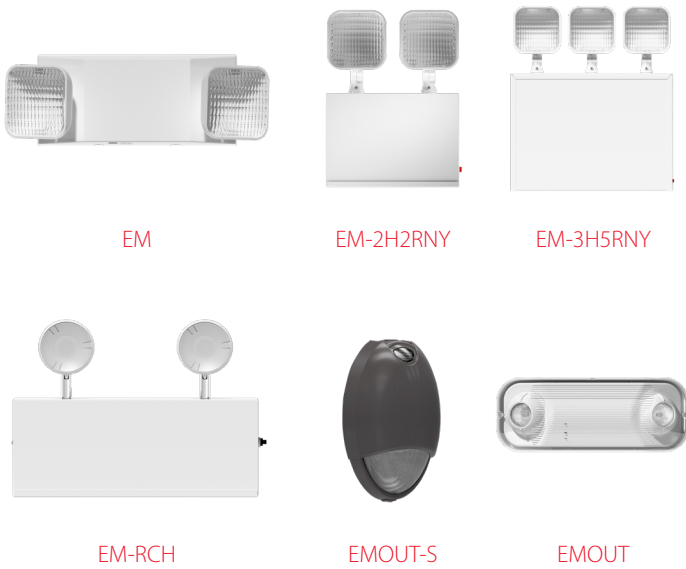


Emergency Unit



PROJECT: _____

DATE: _____

TYPE: _____

PREPARED BY: _____



EM
EMOUT-S



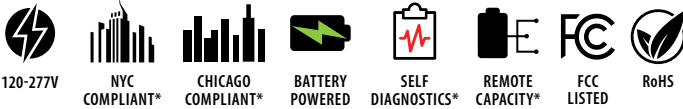
EM-RCH
EMOUT



KEY FEATURES

- Built with durable thermoplastic or aluminum housing design
- **Remote head capable**, see Remote Head Compatibility List
- Self-diagnostics available in select models
- **High-lumen** models
- Options with **90-minutes** of emergency illumination
- Select models compliant with **California Title 20, Chicago or New York City Requirements**
- Select models suitable for **indoor/outdoor** applications in **dry, damp, wet or cold** environments.

Emergency Unit



*Select models

PERFORMANCE

Catalog Number	Housing Color	# of Heads	Lumens (per head)	Lumens (per fixture)	Remote Capacity	Self Diagnostic	City Compliance	IP Rating	Photocell	Warranty
EM-HSCEC	White	2-Lamp Heads	65 lm	130 lm	No	Yes	N/A	Indoor	No	5-year, no compromise
EM-HS	White	2-Lamp Heads	65 lm	130 lm	No	Yes	N/A	Indoor	No	5-year, no compromise
EM-SCEC	White	2-Lamp Heads	45 lm	90 lm	No	Yes	N/A	Indoor	No	5-year, no compromise
EM-S	White	2-Lamp Heads	45 lm	90 lm	No	Yes	N/A	Indoor	No	5-year, no compromise
EM-HCEC	White	2-Lamp Heads	65 lm	130 lm	No	No	N/A	Indoor	No	5-year, no compromise
EM-H	White	2-Lamp Heads	65 lm	130 lm	No	No	N/A	Indoor	No	5-year, no compromise
EM-CEC	White	2-Lamp Heads	45 lm	90 lm	No	No	N/A	Indoor	No	5-year, no compromise
EM	White	2-Lamp Heads	45 lm	90 lm	No	No	N/A	Indoor	No	5-year, no compromise
EM-HRS	White	2-Lamp Heads	65 lm	130 lm	Yes	Yes	N/A	Indoor	No	5-year, no compromise
EM-RS	White	2-Lamp Heads	45 lm	90 lm	Yes	Yes	N/A	Indoor	No	5-year, no compromise
EM-HRCEC	White	2-Lamp Heads	65 lm	130 lm	Yes	No	N/A	Indoor	No	5-year, no compromise

PERFORMANCE (CONT.)

Catalog Number	Housing Material	# of Heads	Lumens (per head)	Lumens (per fixture)	Remote Capacity	Self Diagnostic	City Compliance	IP Rating	Photocell	Warranty
EM-HR	Thermoplastic	2-Lamp Heads	65 lm	130 lm	Yes	No	N/A	Indoor	No	5-year, no compromise
EM-RCEC	Thermoplastic	2-Lamp Heads	45 lm	90 lm	Yes	No	N/A	Indoor	No	5-year, no compromise
EM-R	Thermoplastic	2-Lamp Heads	45 lm	90 lm	Yes	No	N/A	Indoor	No	5-year, no compromise
EM-2H2RNY	Steel Sheet	2-Lamp Heads	65 lm	130 lm	Yes	No	New York City	Indoor	No	5-year, no compromise
EM-2H6RNY	Steel Sheet	2-Lamp Heads	65 lm	130 lm	Yes	No	New York City	Indoor	No	5-year, no compromise
EM-3H5RNY	Steel Sheet	3-Lamp Heads	65 lm	195 lm	Yes	No	New York City	Indoor	No	5-year, no compromise
EM-RCH	Steel Sheet	2-Lamp Heads	335 lm	670 lm	Yes	No	Chicago	Indoor	No	2-year, limited
EMOUT-SCECC/PC	Die Cast Aluminum	None	1,286 lm AC 350 lm DC	N/A	No	Yes	N/A	Indoor/ Outdoor/ Cold	Yes	5-year, no compromise
EMOUT-SC/PC	Die Cast Aluminum	None	1,286 lm AC 350 lm DC	N/A	No	Yes	N/A	Indoor/ Outdoor/ Cold	Yes	5-year, no compromise
EMOUT-SCEC/PC	Die Cast Aluminum	None	1,286 lm AC 350 lm DC	N/A	No	Yes	N/A	Indoor/ Outdoor	Yes	5-year, no compromise
EMOUT-S/PC	Die Cast Aluminum	None	1,286 lm AC 350 lm DC	N/A	No	Yes	N/A	Indoor/ Outdoor	Yes	5-year, no compromise
EMOUT-HCECCM	Thermoplastic	None	349 lm	N/A	No	No	N/A	Indoor/ Outdoor/ Cold	No	2-year, limited
EMOUT-HCM	Thermoplastic	None	349 lm	N/A	No	No	N/A	Indoor/ Outdoor/ Cold	No	2-year, limited

TECHNICAL SPECIFICATIONS

CONSTRUCTION

Product Type

Emergency unit

Shape

Rectangle

Housing Material

Thermoplastic*, steel sheet*, die cast aluminum*

Housing Color

White*, bronze*, gray*

Remote Capacity

Yes*

Number of Heads

None, 2-lamp, 3-lamp

Head Shape

Round, square

Remote Heads Replaceable

No

Photocell

Yes*

ELECTRICAL

Input Voltage

120-277V

Operating Frequency

60Hz

Operating Temperature

32°F to 122°F (0°C to 50°C)

68°F to 122°F (20°C to 50°C) - Chicago models

-4°F to 122°F (-20°C to 50°C) - Outdoor models

Emergency Illumination

90 minutes

Battery Backup

Yes

Battery Type

Nickel Cadmium

Sealed Lead Acid (*Chicago models*)

Battery Voltage

3.6V, 4.8V (*Outdoor models*), 6V (*Chicago models*), 9.6V (*NYC models*)

Recharge Time Required

24 hours

Storage Temperature

68°F to 86°F (20°C to 30°C)

Storage Shelf Life

3 years before the initial charge. 5 years after initial charge.

1 year before the initial charge (*Chicago models*)

Self Diagnostics

Yes*

INSTALLATION

Mounting Method

Back, end, conduit

Mounting Type

Wall Mount

Cold Weather Rated

Yes*

COMPLIANCE

Listings

UL924 Listed

Environment

Suitable for indoor or outdoor* use in dry, damp, wet*, or cold* environments.

IP Rating

Indoor, Outdoor*

California Title 20 Compliant

Can be used to conform with the requirements of California Title 20.

California Title 24 JA8 Compliant

No

California Energy Commission (CEC) Status

Lawful for Sales in California

FCC

Complies with Part 15 of the FCC Rules.

OTHER

Warranty**Warranty**

RAB warrants that our LED products will be free from defects in materials and workmanship for a period of five (5) years from the date of delivery to the end user, including coverage of light output, color stability, driver performance and fixture finish. Battery is prorated.

(*Sealed Lead Acid battery models*) The RAB 2-year, limited warranty covers light output, driver performance, paint finish and labor. Battery is prorated.

RAB's warranty is subject to all terms and conditions found at rablighting.com/warranty.

Note

All values are typical (tolerance +/- 10%)

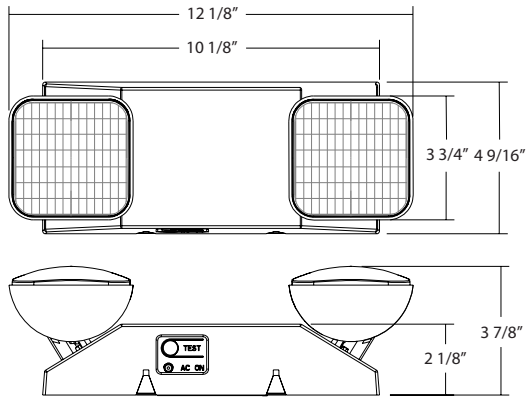
**Select models*

Emergency Unit

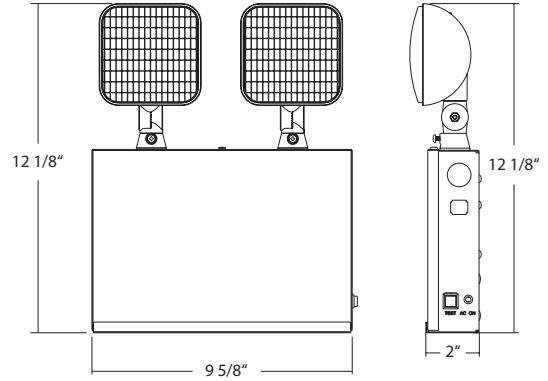


DIMENSIONS

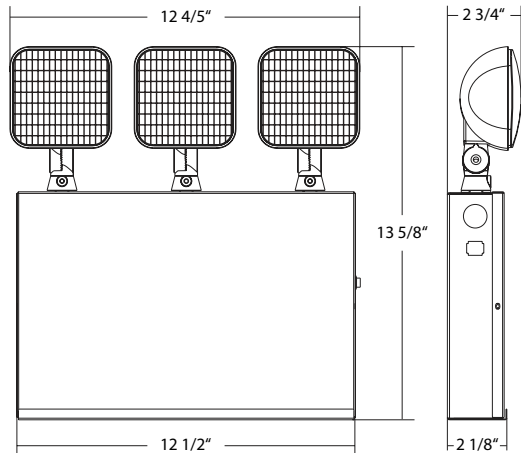
EM
Weight: 0.82 lb



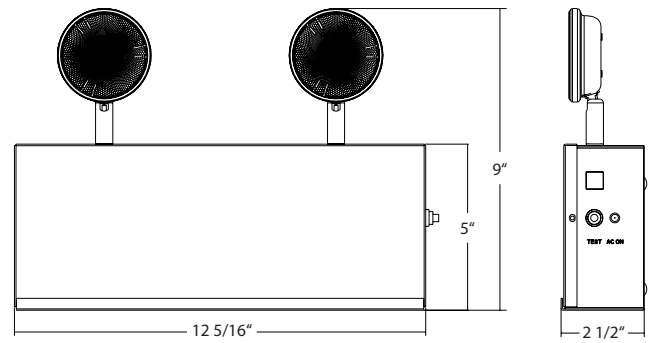
EM-2H2RNY
Weight: 8.4 lbs



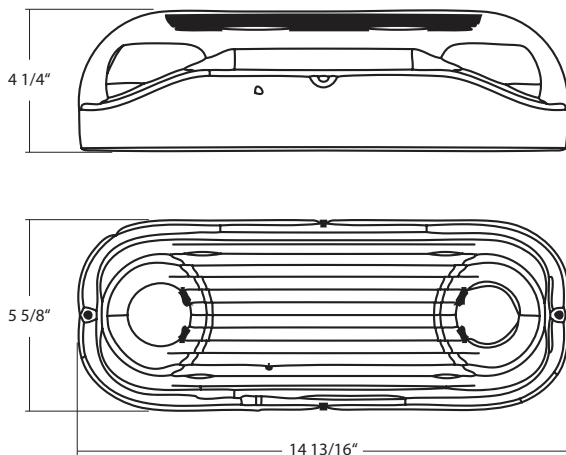
EM-3H5RNY
Weight: 9.1 lbs



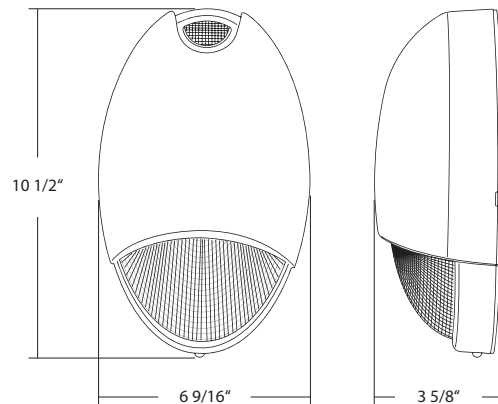
EM-RCH
Weight: 8.9 lbs



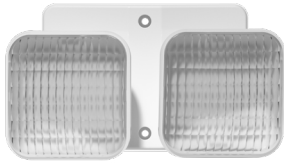
EMOUT
Weight: 5.6 lbs



EMOUT-S
Weight: 3.8 lbs



ACCESSORIES (SOLD SEPARATELY)



EREMOTE-1HB

EREMOTE-B



EREMOTEOUT-1

EREMOTEOUT



EREMOTEOUT-1H

EREMOTEOUT-H



EREMOTEOUT-1HB

EREMOTEOUT-HB

Catalog Number	UPC	Description
EREMOTE-1	192552021869	Single remote head
EREMOTE-1H	192552021876	Single remote head high-output
EREMOTE-1S	192552021883	Single remote head self diagnostic
EREMOTE-1HS	192552021890	Single remote head high-output self diagnostic

Catalog Number	UPC	Description
EREMOTE	192552021906	Double remote head
EREMOTE-H	192552021913	Double remote head high-output
EREMOTE-S	192552021920	Double remote head self diagnostic
EREMOTE-HS	192552021937	Double remote head high-output self diagnostic

Catalog Number	UPC	Description
EREMOTE-1HB	192552033312	Single remote head high-output, black
EREMOTE-B	192552033329	Single remote head, black

Catalog Number	UPC	Description
EREMOTEOUT-1	192552033336	Single remote head, outdoor
EREMOTEOUT	192552033343	Double remote head, outdoor

Catalog Number	UPC	Description
EREMOTEOUT-1H	192552033350	Single remote head high-output, outdoor
EREMOTEOUT-H	192552033367	Double remote head high-output, outdoor

Catalog Number	UPC	Description
EREMOTEOUT-1HB	192552033374	Single remote head high-output, black, outdoor
EREMOTEOUT-HB	192552033381	Double remote head high-output, black, outdoor

ACCESSORIES (SOLD SEPARATELY)



Catalog Number	UPC	Description
EREMOTE-RTS	192552021944	Emergency remote test button switch

ORDERING INFO

Catalog Number	Certification Model Number	UPC	Case Pack
EM-HSCEC	LEDR-1SDT-HL-CEC	192552020046	12
EM-HS	LEDR-1SDT-HL	192552020053	12
EM-SCEC	LEDR-1SDT-CEC	192552020060	12
EM-S	LEDR-1-SDT	192552020077	12
EM-HCEC	LEDR-1-HL-CEC	192552020084	12
EM-H	LEDR-1-HL	192552020091	12
EM-CEC	LEDR-1-CEC	192552020107	12
EM	LEDR-1	192552020114	12
EM-HRS	LEDR5HOSDT-HL	192552020121	12
EM-RS	LEDR5HOSDT	192552020138	12
EM-HRCEC	LEDR5HO-HL-CEC	192552020145	12
EM-HR	LEDR5HO-HL	192552020152	12
EM-RCEC	LEDR5HO-CEC	192552020169	12
EM-R	LEDR5HO	192552020176	12
EM-2H2RNY	PRLEDNYDXR-42	192552020183	6
EM-2H6RNY	PRLEDNYDXR-82	192552020190	6
EM-3H5RNY	PRLEDNYDXR-83	192552020206	6
EM-RCH	CAEMW	192552029520	4
EMOUT-SCECC/PC	DBEL-ACEM-HL-BR-SDT-PC-CW-CEC	192552029521	6
EMOUT-SC/PC	DBEL-ACEM-HL-BR-SDT-PC-CW	192552029522	6
EMOUT-SCEC/PC	DBEL-ACEM-HL-BR-SDT-PC-CEC	192552029523	6
EMOUT-S/PC	DBEL-ACEM-HL-BR-SDT-PC	192552029524	6
EMOUT-HCECCM	RMR-16-WP-CW-PLED-CEC	192552029525	6
EMOUT-HCM	RMR-16-WP-CW-PLED	192552029526	6

ORDERING MATRIX

Family	Heads	High Lumen	Remote Capacity	CEC	Self Diagnostics	Housing Color
EM	-					
	Blank 2 Heads	Blank H	No High Lumen	Blank R	No Remote Capacity	Blank CEC
		No California Title 20	No California Title 20	Blank S	No Self Diagnostics	Blank White

Family	Heads	Remote Capacity	Housing	City
EM	-			CH
	Blank 2 Heads	Blank No	Blank White	CH Chicago

Family	Heads/Expandable	Remote Capacity	Housing	State
EM	-			NY
	2H2 2H6 3H5	2 Heads Integral/Expandable 2 Heads 6 Heads 5 Heads	Blank R	No Remote Capacity
		Blank White	NY New York	

Family	High Lumen	Self Diagnostics	CEC	Cold Weather	Photocell	Lamp
EMOUT	-					
	Blank H	No High Lumen	Blank S	No Self Diagnostics	Blank CEC	No California Title 20
	Blank C	Wet rated Cold rated	Blank /PC	No Photocell	Blank Photocell	Blank M
	No Lamp	MR16				