



EMOUT

PROJECT: _____

DATE: _____

TYPE: _____

PREPARED BY: _____



KEY FEATURES

- Engineered with waterproof and corrosion-resistant materials designed for challenging environments
- Injection-molded thermoplastic ABS housing, UL 94V-0 flame rating
- Suitable for wall and ceiling mount applications
- Built-in 3.6V 2000mAh Nickel cadmium battery for minimum 90 minutes
- Meets UL924, NFPA 101 Life Safety Code, NEC, OSHA, local and state codes. Compliant with California Title 20

Emergency Unit, Wet Location Rated



EM BATTERY
BACKUP



DAMP RATED



IP20



120-277V

PERFORMANCE

Catalog Number	Finish	Remote Head	Self Diagnostic	Input Power	Input Current @ 120V (A)	Input Current @ 277V (A)	Lumens (lm)	Color Temperature	Input Voltage(V)	Battery Voltage	Maximum Output Wattage (W)
EMOUT	White	No	No	2.4W	0.025A	0.015A	400 lm	120-277V	6500K	3.6V	2.4W

TECHNICAL SPECIFICATIONS

CONSTRUCTION

Product Type

Emergency unit, wet location rated

Housing Material

Thermoplastic housing 5VA flame rating

Housing Finish

White housing

Illumination Source

2 lamp heads

Optical System

Precision engineered prismatic lens

Head Orientation

Adjustable heads for aiming light where required

Remote Capable

No

EMERGENCY CHARACTERISTICS

Battery Backup

Yes

Emergency Illumination

Minimum 90 minutes emergency operation

Battery

Built-in 3.6V 1000mAh NI-MH battery

Recharge Time

Maximum 24 hours for full recharge time

Battery Operating Temperature

32°C to 104°C (0°F to 40°F)

Testing Method

Integrated test switch & charge indicator

TECHNICAL SPECIFICATIONS (CONT'D)

INSTALLATION

Mounting

Universal J-Box mounting pattern

Application

Wall mount

Mounting Height

11.9 ft

ELECTRICAL

Operating Frequency

60 Hz

Operating Temperature

32°F to 104°F (0°C to 40°C)

Power Factor

0.8

COMPLIANCE

Listings

UL Listed, UL924 Compliant

Environment

Suitable for use indoors in dry and damp environments

IP Rating

IP65

Illumination standard

NEC and OSHA illumination standards

California Title 20 Compliant

Yes

California Energy Commission (CEC) Status

Lawful for sales in California

RoHS

Mercury and UV free. RoHS-compliant components

FCC

Complies with Part 15 of the FCC Rules

OTHER

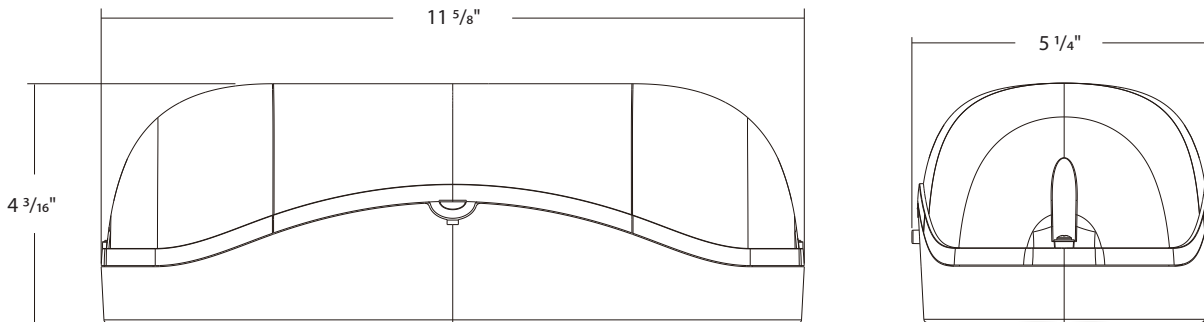
Warranty

RAB warrants that our LED products will be free from defects in materials and workmanship for a period of three (3) years from the date of delivery to the end user, including coverage of light output, color stability, driver performance and fixture finish. RAB's warranty is subject to all terms and conditions found at rablighting.com/warranty.

DIMENSIONS

EMOUT

Weight: 2.48 lbs



ORDERING INFO

Catalog Number	UPC	Case Pack
EMOUT	192552054614	6

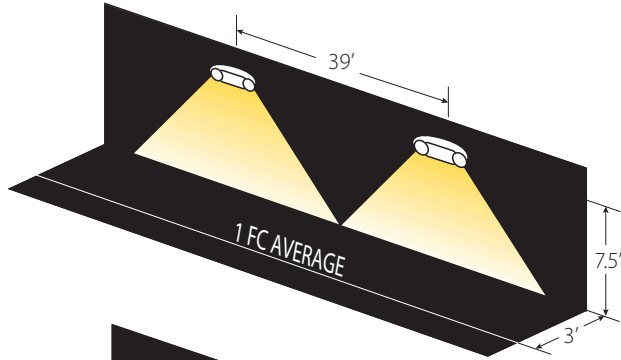
ORDERING MATRIX

Family	Remote Capacity	Housing Color	Driver
EMOUT	Blank Not Remote Capable	Blank White	Blank 120-277V

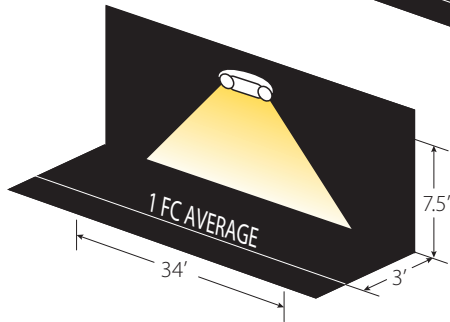
MAXIMUM SPACING GUIDELINES

Mounting Height	Path of Egress, 3' Out		Path of Egress, 6' Out		Application Notes
	Single Luminaire	Multiple Luminaires	Single Luminaire	Multiple Luminaires	
7.5'	34'	39'	28'	31'	Room Size: 100' L x 8' W x 9' H <i>Direct calculation method used. Reflectances excluded.</i>
	Tilt: 40°	Tilt: 40°	Tilt: 50°	Tilt: 50°	
	Orient: 60°	Orient: 60°	Orient: 40°	Orient: 30°	

Note: Meets NFPA 101 illumination requirements of 1 FC average, 0.1 FC minimum, and 40:1 max:min.



Example of multiple luminaires lighting a 3' path of egress.



Example of a single luminaire lighting a 3' path of egress.