

# EREMOTE & EREMOTEOUT



EREMOTE-1



EREMOTE-B



EREMOTEOUT-1



EREMOTEOUT-1B



EREMOTEOUT-1W



EREMOTEOUT

PROJECT: \_\_\_\_\_

DATE: \_\_\_\_\_

TYPE: \_\_\_\_\_

PREPARED BY: \_\_\_\_\_



## KEY FEATURES

- Injection-molded thermoplastic ABS housing, UL 94V-0 flame rating
- 3.6V,1W ultra bright white LED lamps
- Provides consistent and reliable illumination over time.
- Available in single and dual head models
- Adjustable heads for aiming light where required
- Indoor & waterproof outdoor models available

## Indoor & Outdoor Rated Emergency Lighting Remote Heads



## PERFORMANCE

| Catalog Number | Finish | No. of Heads       | Input Power | Lumens (lm) | Color Temperature | Input Voltage (V) | IP Rating | Battery Voltage |
|----------------|--------|--------------------|-------------|-------------|-------------------|-------------------|-----------|-----------------|
| EREMOTE-1      | White  | Remote Single Head | 1.2W MAX.   | 90          | 6500K             | 3.6-15V           | IP20      | 3.6V-15V        |
| EREMOTE        | White  | Remote Dual Head   | 2.4W MAX.   | 180         |                   |                   |           |                 |
| EREMOTE-1B     | Black  | Remote Single Head | 1.2W MAX.   | 90          |                   |                   |           |                 |
| EREMOTE-B      | Black  | Remote Dual Head   | 2.4W MAX.   | 180         |                   |                   |           |                 |
| EREMOTEOUT-1   | Gray   | Remote Single Head | 1.2W MAX.   | 90          |                   | IP65              |           |                 |
| EREMOTEOUT     | Gray   | Remote Dual Head   | 2.4W MAX.   | 180         |                   |                   |           |                 |
| EREMOTEOUT-1B  | Black  | Remote Single Head | 1.2W MAX.   | 90          |                   |                   |           |                 |
| EREMOTEOUT-B   | Black  | Remote Dual Head   | 2.4W MAX.   | 180         |                   |                   |           |                 |
| EREMOTEOUT-1W  | White  | Remote Single Head | 1.2W MAX.   | 90          |                   |                   |           |                 |
| EREMOTEOUT-W   | White  | Remote Dual Head   | 2.4W MAX.   | 180         |                   |                   |           |                 |

## TECHNICAL SPECIFICATIONS

### CONSTRUCTION

**Product Type**

Emergency remote heads

**Housing Material**

Thermoplastic housing 5VA flame rating

**Housing Finish**

White, black & gray

**Illumination Source**

Remote single head

**Optical System**

Precision engineered prismatic lens

**Head Orientation**

Adjustable heads for aiming light where required

### INSTALLATION

**Mounting Universal**

Surface mounts to junction box

**Application**

Indoor or outdoor use

### ELECTRICAL

**Input Current @120V (A)**

300mA (single) 600mA(dual)

**Operating Temperature**

32°F to 104°F (0°C to 40°C)

### COMPLIANCE

**Listings**

UL Listed, UL924 Compliant

**Environment**

Suitable for use indoors in dry and damp environments

**IP Rating**

IP20 (indoor) IP65 (outdoor)

**Illumination standard**

NEC and OSHA illumination standards

**California Title 20 Compliant**

Yes

**California Energy Commission (CEC) Status**

Lawful for sales in California

**RoHS**

Mercury and UV free. RoHS-compliant components

**FCC**

Complies with Part 15 of the FCC Rules

### OTHER

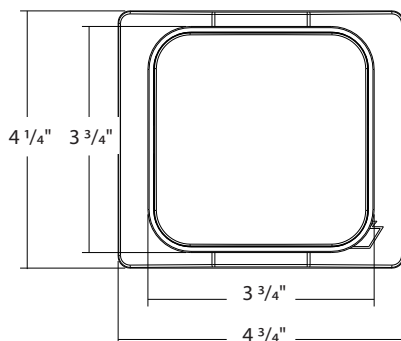
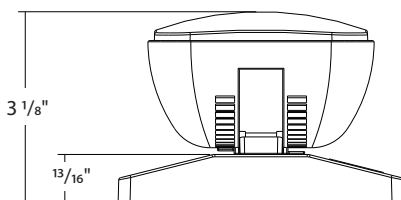
**Warranty**

RAB warrants that our LED products will be free from defects in materials and workmanship for a period of three (3) years from the date of delivery to the end user, including coverage of light output, color stability, driver performance and fixture finish. RAB's warranty is subject to all terms and conditions found at [rablighting.com/warranty](http://rablighting.com/warranty).

## DIMENSIONS

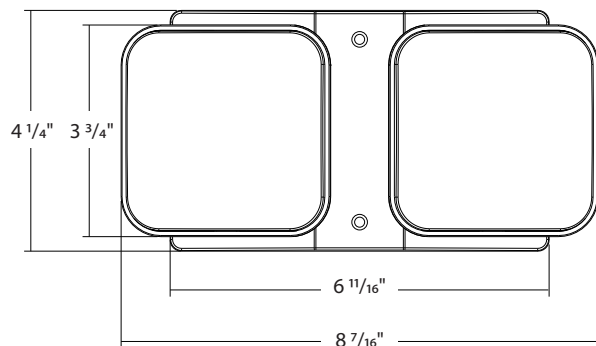
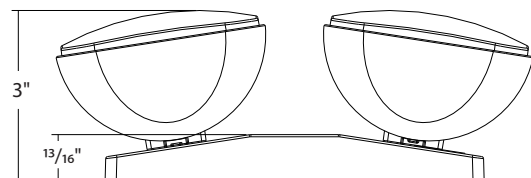
**EREMOTE-1**

Weight: 0.5 lbs



**EREMOTE**

Weight: 0.8 lbs



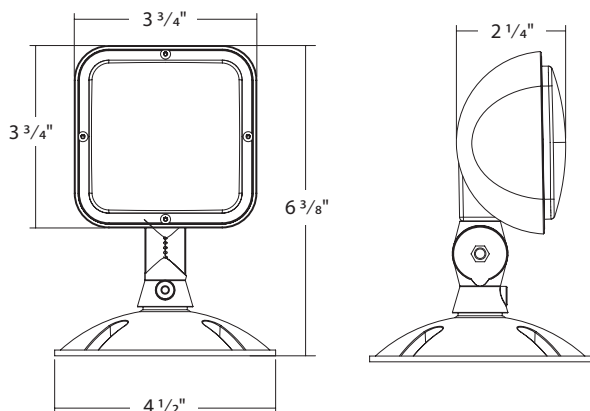
# EREMOTE & EREMOTEOUT



## DIMENSIONS (CONT'D)

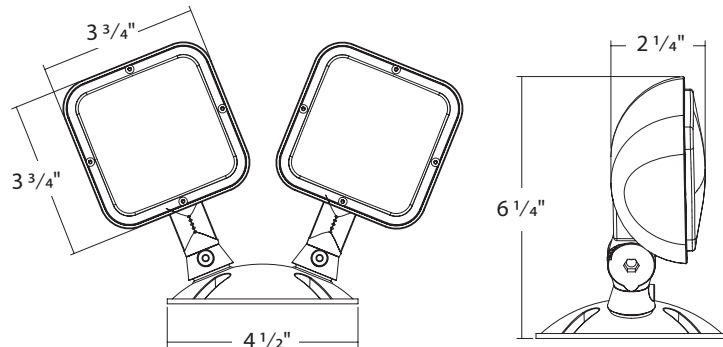
### EREMOTEOUT-1

Weight: 0.5 lbs



### EREMOTEOUT-W

Weight: 0.9 lbs



## ORDERING INFO

| Catalog Number | UPC          | Case Pack |
|----------------|--------------|-----------|
| EREMOTE-1      | 192552021869 | 12        |
| EREMOTE        | 192552021906 | 12        |
| EREMOTE-1B     | 192552054508 | 12        |
| EREMOTE-B      | 192552033329 | 12        |
| EREMOTEOUT-1   | 192552033336 | 12        |
| EREMOTEOUT     | 192552033343 | 12        |
| EREMOTEOUT-1B  | 192552054515 | 12        |
| EREMOTEOUT-B   | 192552054522 | 12        |
| EREMOTEOUT-1W  | 192552046190 | 12        |
| EREMOTEOUT-W   | 192552046206 | 12        |

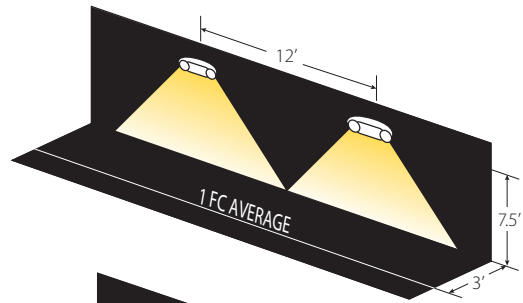
## ORDERING MATRIX

| Family  | Application       | Number of Heads                |
|---------|-------------------|--------------------------------|
| EREMOTE | Blank<br>OUT      | Blank<br>1                     |
|         | Indoor<br>Outdoor | Dual Head Black<br>Single Head |

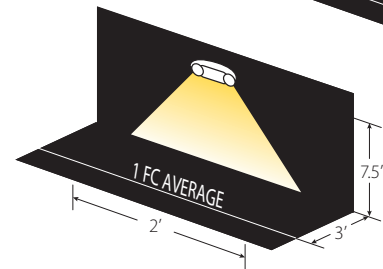
## MAXIMUM SPACING GUIDELINES

| Mounting Height | Path of Egress, 3' Out |                     | Path of Egress, 6' Out |                     | Application Notes   |
|-----------------|------------------------|---------------------|------------------------|---------------------|---|
|                 | Single Luminaire       | Multiple luminaires | Single Luminaire       | Multiple luminaires |   |
| 7.5'            | 2'                     | 12'                 | N/A                    | 4'                  | Room Size: 50' L x 8' W x 9' H<br>Direct calculation method used.<br>Reflectances excluded. |
|                 | Tilt: 25°              | Tilt: 35°           | Tilt: N/A              | Tilt: 45°           |   |
|                 | Orient: 0°             | Orient: 50°         | Orient: N/A            | Orient: 20°         |   |

NFPA 101 Life Safety Code emergency egress: 1 FC average, 0.1 FC minimum & 40:1 max:min



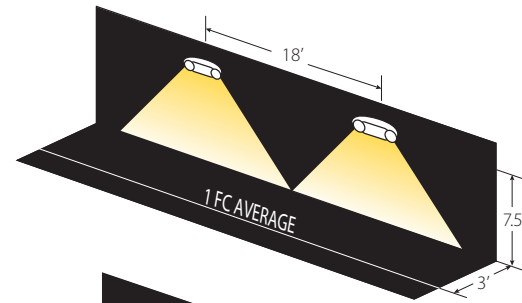
Example of multiple luminaires lighting a 3' path of egress.



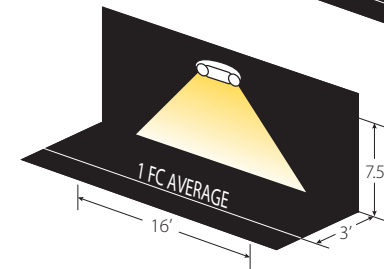
Example of a single luminaire lighting a 3' path of egress.

| Mounting Height | Path of Egress, 3' Out |                     | Path of Egress, 6' Out |                     | Application Notes   |
|-----------------|------------------------|---------------------|------------------------|---------------------|---|
|                 | Single Luminaire       | Multiple luminaires | Single Luminaire       | Multiple luminaires |   |
| 7.5'            | 16'                    | 18'                 | 6'                     | 10'                 | Room Size: 50' L x 8' W x 9' H<br>Direct calculation method used.<br>Reflectances excluded. |
|                 | Tilt: 30°              | Tilt: 20°           | Tilt: 40°              | Tilt: 40°           |   |
|                 | Orient: 30°            | Orient: 40°         | Orient: 20°            | Orient: 40°         |   |

NFPA 101 Life Safety Code emergency egress: 1 FC average, 0.1 FC minimum & 40:1 max:min



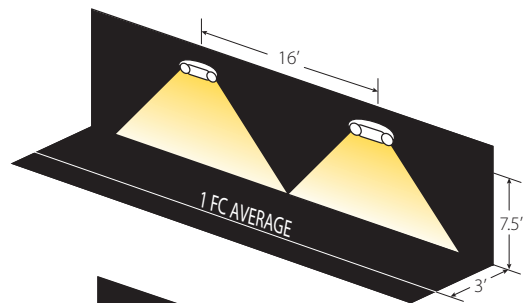
Example of multiple luminaires lighting a 3' path of egress.



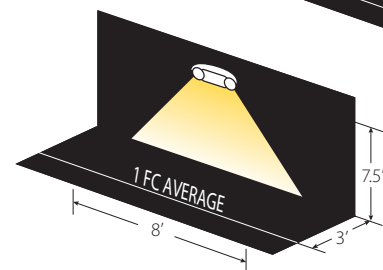
Example of a single luminaire lighting a 3' path of egress.

| Mounting Height | Path of Egress, 3' Out |                     | Path of Egress, 6' Out |                     | Application Notes  |
|-----------------|------------------------|---------------------|------------------------|---------------------|--|
|                 | Single Luminaire       | Multiple luminaires | Single Luminaire       | Multiple luminaires |  |
| 7.5'            | 8'                     | 16'                 | N/A                    | 10'                 | Room Size: 100' L x 8' W x 9' H<br>Direct calculation method used.<br>Reflectances excluded. |
|                 | Tilt: 20°              | Tilt: 25°           | Tilt: N/A              | Tilt: 40°           |  |
|                 | Orient: 0°             | Orient: 40°         | Orient: N/A            | Orient: 30°         |  |

Note: Meets NFPA 101 illumination requirements of 1 FC average, 0.1 FC minimum, and 40:1 max:min.



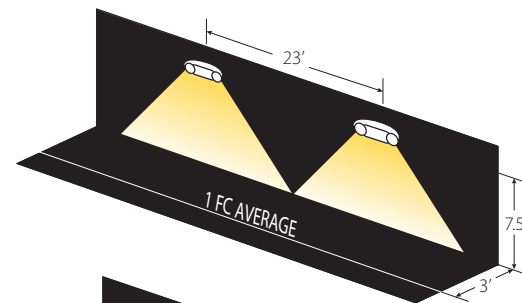
Example of multiple luminaires lighting a 3' path of egress.



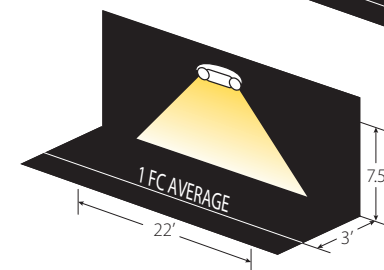
Example of a single luminaire lighting a 3' path of egress.

| Mounting Height | Path of Egress, 3' Out |                     | Path of Egress, 6' Out |                     | Application Notes  |
|-----------------|------------------------|---------------------|------------------------|---------------------|--|
|                 | Single Luminaire       | Multiple luminaires | Single Luminaire       | Multiple luminaires |  |
| 7.5'            | 22'                    | 23'                 | 12'                    | 16'                 | Room Size: 100' L x 8' W x 9' H<br>Direct calculation method used.<br>Reflectances excluded. |
|                 | Tilt: 25°              | Tilt: 20°           | Tilt: 35°              | Tilt: 35°           |  |
|                 | Orient: 0°             | Orient: 0°          | Orient: 0°             | Orient: 0°          |  |

Note: Meets NFPA 101 illumination requirements of 1 FC average, 0.1 FC minimum, and 40:1 max:min.



Example of multiple luminaires lighting a 3' path of egress.



Example of a single luminaire lighting a 3' path of egress.