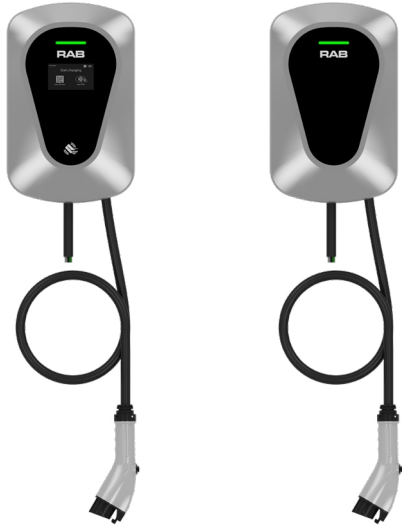


# EVC48 Networked, Level 2 Charger

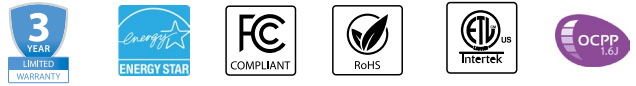


PROJECT: \_\_\_\_\_

DATE: \_\_\_\_\_

TYPE: \_\_\_\_\_

PREPARED BY: \_\_\_\_\_



## 48A Single-Port Charger With or Without LCD Display



### KEY FEATURES

- Networked charger that can connect to the internet via 4G SIM, Ethernet, or Wifi
- OCPP Compliant which allows the charger to communicate to software management systems
- 4J1772 cord and plug which charges almost all EVs and PHEVs
- Authentication via QR code on charger or with RFID cards sold separately
- Qualifies for incentives; RAB lists its products on hundreds of different utility programs across the country OCPP or Local Load Management
- Durable and quality design - Level 2 fast charger for residential and commercial use
- Many ways to mount - Pedestal, cable management, single, back-to-back, or side-to-side

### PERFORMANCE

Catalog Number	LCD Screen	Output Power	Output Current	Input Voltage	Connector	Cable Length	Connectivity
EVC48	Yes	11.5kW	48A	200-240V	JAE 1772	18 ft	Wifi, 4G, Ethernet
EVC48/ND	No						

### TECHNICAL SPECIFICATIONS

#### PRODUCT OVERVIEW

##### Product Type

Level 2 EV Charger, 48A, Networked, with or without LCD Display

##### Description

48A / 11.5 kW Residential/Commercial Charger: 4G networked, OCPP 1.6J protocol, 16.4' Cord, and ISO 15118 protocol

##### Application

Commercial & public use

## TECHNICAL SPECIFICATIONS (CONT'D.)

### CONSTRUCTION

**Housing Material**

Polycarbonate and tempered glass with gray & black finish

**Cord & Nozzle**

Single Port, 18FT cable with 6AWG Guage comes with SAEJ1772 Type 1 Nozzle

**Display**

EVC48 only - 4.3" LCD display with LED indicator light

**Status Indicator**

Connected, Network Issue, Charging, Fault

**Tamper Resistant**

IK08 rated to protect the unit against external mechanical impacts (not rated for the LCD display screen or RFID)

**Ingress Protection**

IP65 and NEMA Type 4

**Mounting**

Charger & nozzle holder can be mounted directly to a wall or used with compatible pedestal (sold separately)

### INSTALLATION

**Mounting Hardware Included**

Yes

**Wiring**

Hardwired

**Input Wire Gauge**

6 AWG

### ELECTRICAL

**Input Voltage**

200-240V, Single Phase

**Input Current**

48A

**Output Power**

11.5kW

**Output Current**

48A (max) (with AC breaker capacity selection)

**Operating Frequency**

50/60 Hz

**Connector Type**

SAE J1772

**Humidity**

Max 90%

**Input Side Protection**

Protection against leakage, over-voltage, over current, under-voltage, short circuit, over-temperature

**Output Side Protection**

Protection against leakage, over-voltage, over current, under-voltage, automatic full charge, control pilot fault, short circuit, over-temperature

**Internal Protection**

OTP, relay welding detection, CCID self-test, MCU function fault detection

**Rating of Branch Circuit Breaker**

60A

### NETWORK & CONNECTIVITY

**Communication Protocol**

OCPP 1.6 JSON

**Connectivity Type**

Ethernet + Wi-Fi (IEEE 802.11 b/g/n) + 4G

**CSMS Platform Compatibility**

RAB Lightcloud Charge Charginlab CSMS  
Additional software options available upon request

**Remote Monitoring**

Yes

**OTA Firmware Updates**

Included

**Load Management**

No

### CHARGING PERFORMANCE

**Authetification methods**

Plug-and-charge, mobile app, QR code, RFID

**Energy Monitoring**

Yes

**Metering Accuracy**

Meter IC (1% Accuracy)

### SAFTEY & COMPLIANCE

**Safety Listings**

ETL Listed

**UL Standards**

UL 2594, UL 2231

**Shock Protection**

CCID20. A charging circuit interrupting device (CCID) automatically interrupts the circuit when the current reaches or exceeds the threshold current of 20mA.

**OpenADR**

No

**IP Rating**

Ingress protection rating of IP65 for dust and water

**California Type Evaluation Program (CTEP)**

No

**EnergyStar**

Yes

**RoHS**

Mercury and UV free. RoHS-compliant components.

**FCC**

Complies with Part 15 of the FCC Rules

# EVC48 Networked, Level 2 Charger



## TECHNICAL SPECIFICATIONS (CONT'D.)

### ENVIRONMENTAL RATINGS

**Operating Temperature**

-22°F to 131°F (-30°C to 55°C)

**Humidity**

Max 85%

**UV Resistance**

Material complies with UL 746C F1 requirements for UV and water exposure

**Enclosure Rating**

NEMA 4X

**Altitude Rating**

≤2000m

### OTHER

**Compatible Accessories**

EVP - Pedestal

EVM - Cable Management Add-On

EVR - Cable Management Retractor

EVPB - Side-by-Side Mounting Bracket

**Warranty**

Electric Vehicle Charger products will be free from defects in materials and workmanship for a period of (3) years from the date of original sale to RAB's distributor. The product shall be considered defective only if it cannot be brought back to service by assistance from RAB technical product support representative. If you have a technical issue or question regarding warranty, call our technical support team at RAB Help line. Exceptions apply as stated on product specification sheets incorporated herein by reference. Defects in material or workmanship do not include improper installation or operation, alterations, power surges or overheating due to external conditions. Defects caused by acts of vandalism and incidents beyond control of manufacturer resulting in inoperability of the electric vehicle charger are not covered by the material or workmanship warranty.

**Software plan options**

ChargeLab CSMS: 1-year, 3-year, 5-year; RAB Lightcloud Charge: Free (Wifi);

Lightcloud Charge Cellular: 1-year

**Concierge provisioning**

RAB pre-provisions software and SIM card before shipment — installer powers on device, site is live immediately

**Hardware technical support**

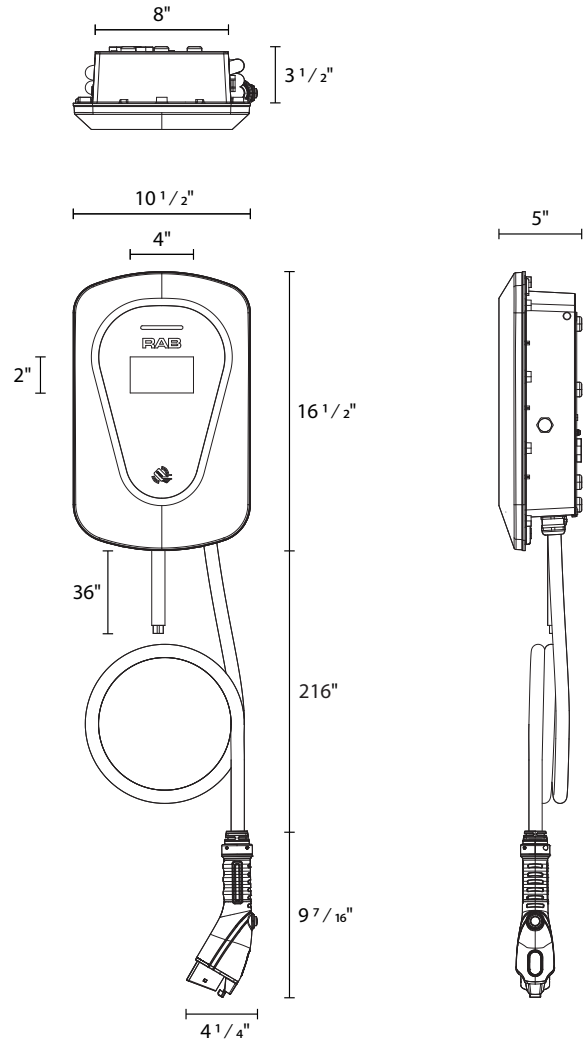
RAB technical support included

**Driver support**

24/7 telephone support for EV drivers

## DIMENSIONS

EVC48/ EVC48-ND



Catalog Number	Weight
EVC48	16.1 lbs
EVC48/ND	12.16

## ACCESSORIES



EVP



EVM



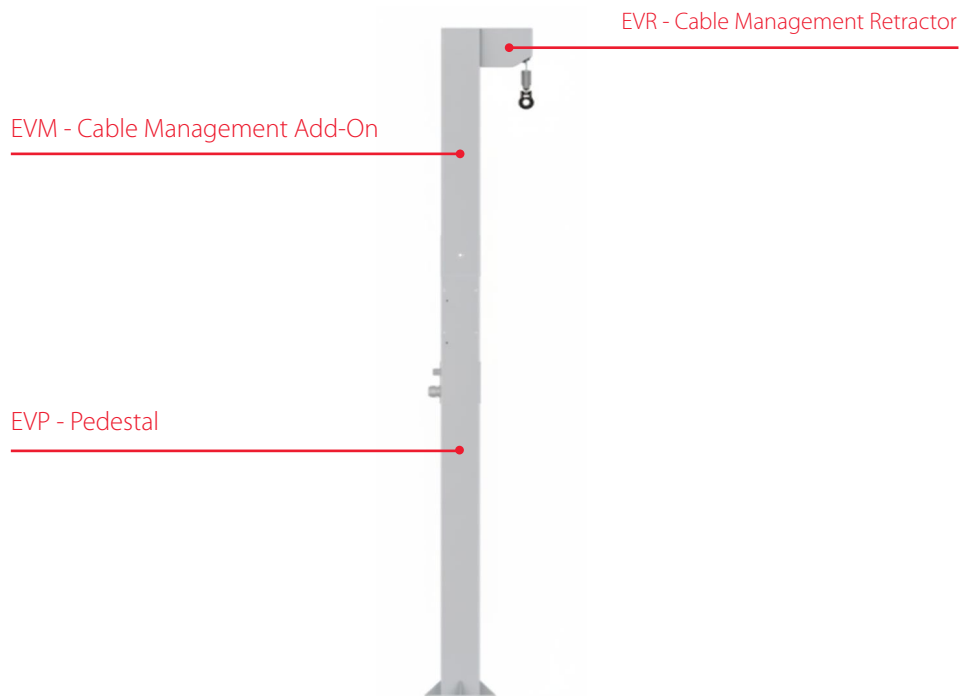
EVR



EVPB

Catalog Number	UPC	Description
EVP	192552047203	EVSE ACC PEDESTAL SINGLE / DOUBLE SIDED
EVM	192552047210	EVSE ACC CABLE MANAGEMENT ADD-ON W/O RETRACTORS
EVR	192552047227	EVSE ACC CABLE MANAGEMENT RETRACTOR
EVPB	192552063883	EVSE ACC SIDE BY SIDE MOUNTING BRACKET

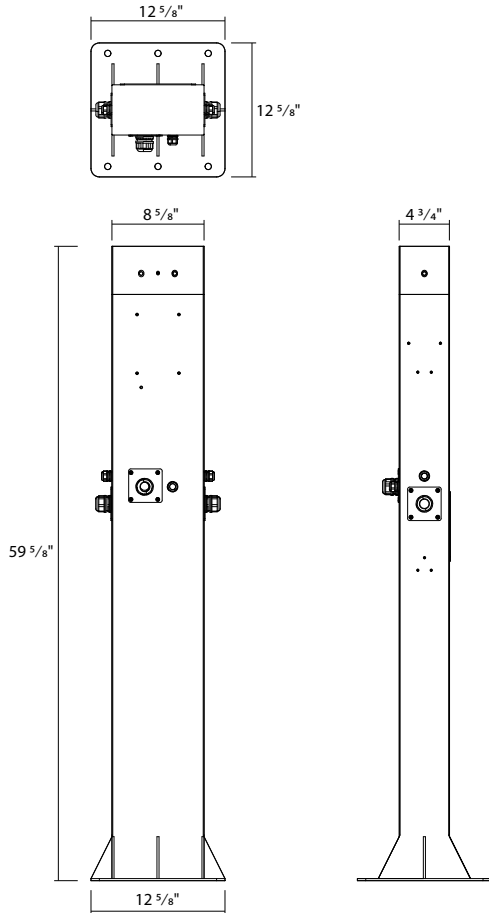
### Pedestal & Cable management assembly



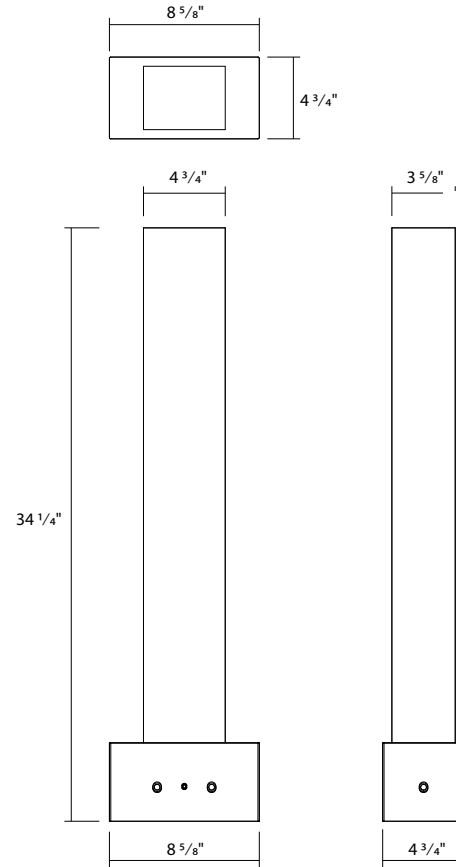
## ACCESSORIES (CONT.)

### DIMENSIONS

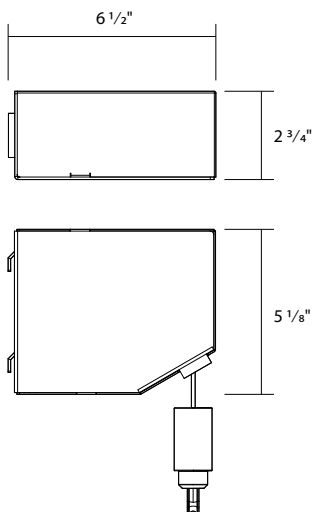
EVP - Pedestal



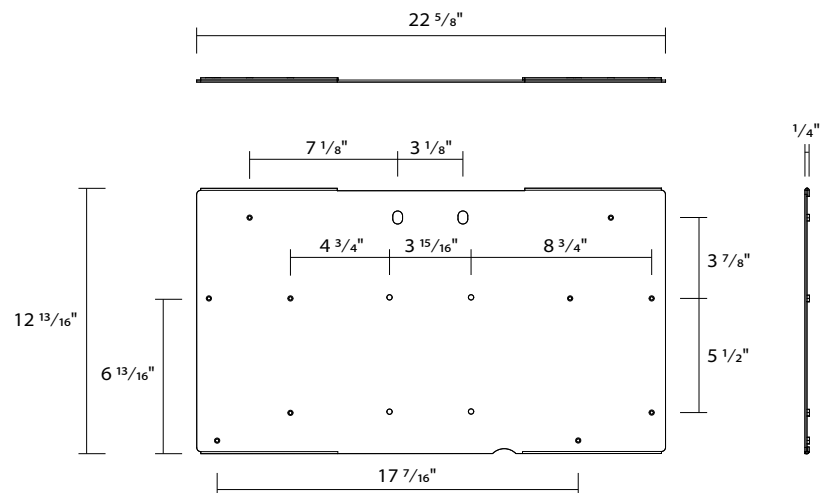
EVM - Cable Management Add-On



EVR - Cable Management Retractor



EVPB - Side-by-Side Mounting Bracket



# EVC48 Networked, Level 2 Charger



## MOUNTING CONFIGURATIONS



Single Charger on Pedestal  
(charger and pedestal not included)

SKU	QTY
EVC48	1
EVP	1



Dual Charger on Pedestal (Back to Back)  
(charger and pedestal not included)

SKU	QTY
EVC48	2
EVP	1



Dual Charger on Pedestal  
(charger and pedestal not included)

SKU	QTY
EVC48	2
EVP	1
EVPB	1



Single Charger with Pedestal +  
Cable Management  
(charger not included)

SKU	QTY
EVC48	1
EVP	1
EVM	1
EVR	1



Dual Charger with Pedestal +  
Cable Mangement (Back to Back)  
(charger and pedestal not included)

SKU	QTY
EVC48	2
EVP	1
EVM	1
EVR	2



Dual Charger with Pedestal +  
Cable Mangement (Side by Side)  
(charger and pedestal not included)

SKU	QTY
EVC48	2
EVP	1
EVM	1
EVR	2
EVPB	1

## ORDERING MATRIX

Family	Max. Current	Display Type	Cable Length	Nozzle
<b>EVC</b>	48			
EV Charger	48	48A Output Blank /ND	LCD Display Blank No LCD Display	18' Cable Blank
				J1772