



EXIT

EXIT34

PROJECT: _____

DATE: _____

TYPE: _____

PREPARED BY: _____



EXIT

EXIT34



Exit Sign and Ultra-Economy Exit Signs



*Select models

KEY FEATURES

- Universal faces with red, green, or red/green interchangeable letters
- Durable thermoplastic design
- 90-minutes of battery backup*
- Complies with California Title 20 requirements

TECHNICAL SPECIFICATIONS

| Catalog Number | Letter Color | Battery Backup | Battery Voltage | Recharge Time Required | Emergency Illumination | Remote Capacity | Storage Shelf Life |
|----------------|---------------------------|----------------|-----------------|------------------------|------------------------|-----------------|---|
| EXIT34/E | Red | Battery Backup | 1.2V | 24 hours | 90 minutes | No | 3 years before the initial charge 5 years after initial charge |
| EXIT34 | Red | AC Only | None | None | None | No | None |
| EXIT34-G/E | Green | Battery Backup | 1.2V | 24 hours | 90 minutes | No | 3 years before the initial charge 5 years after initial charge |
| EXIT34-G | Green | AC Only | None | None | None | No | None |
| EXIT34-RG | Red/Green Interchangeable | AC Only | None | None | None | No | None |
| EXIT34-RG/E | Red/Green Interchangeable | Battery Backup | 1.2V | 24 hours | 90 minutes | No | 3 years before the initial charge. 5 years after initial charge. |
| EXIT-R | Red | Battery Backup | 9.6V | 24 hours | 90 minutes | Yes | 3 years before the initial charge 5 years after initial charge |
| EXIT-GR | Green | | | | | | |

CONSTRUCTION

| | | |
|--|--|---|
| Product Type Exit Sign | Panel Color White | Arrow Direction None |
| Shape Rectangle | Letter Color Red, green, red/green interchangeable | Sign Format Stencil |
| Housing Material Thermoplastic | Housing Color White | Remote Capacity EXIT34: No EXIT: Yes |
| Panel Material Thermoplastic | Number of Faces Universal single/double face | |

TECHNICAL SPECIFICATIONS (CONT.)

ELECTRICAL

Input Voltage

Dual 120/277 Voltage

Operating Frequency

60Hz

Operating Temperature

EXIT34: 32°F to 122°F (0°C to 50°C)

EXIT: 32°F to 104°F (0°C to 40°C)

Power Factor

EXIT34: ≥0.9@120V; ≥0.4@277V

EXIT: ≥0.9

Emergency Illumination

90 minutes*

Battery Backup

Battery Backup*, AC Only*

Battery Type

Nickel Cadmium

Battery Voltage

EXIT34: 1.2V*

EXIT: 9.6V

Recharge Time Required

24 hours*

Storage Temperature

68°F to 86°F (20°C to 30°C)

Storage Shelf Life

3 years before the initial charge. 5 years after initial charge. *

Self Diagnostics

Manual Test

INSTALLATION

Mounting Method

EXIT34: Back/Top/End

EXIT: Back/Top

Mounting Type

Wall/Ceiling Mount

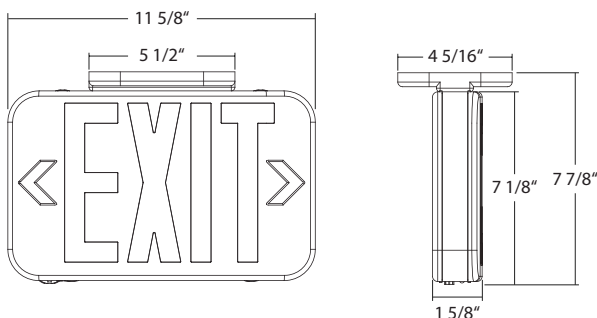
Cold Weather Rated

No

DIMENSIONS

EXIT34

Weight: 1.69 lbs



COMPLIANCE

Safety Listing

EXIT34: UL924 Listed, NFPA 101 (current Life Safety Code), NEC and OSHA illumination standards

EXIT: None

Environment/Fixture Rating

Suitable for indoor use in dry and damp environments.

IP Rating

Indoor

T20 Compliant

Can be used to conform with the requirements of California Title 20.

California Title 24 JA8 Compliant

Not Applicable

California Energy Commission (CEC) Status

Lawful for Sales in California

FCC

Complies with Part 15 of the FCC Rules.

OTHER

Warranty

| SKU | Warranty |
|--------|---|
| EXIT34 | The RAB 5-year, limited warranty covers light output, driver performance, paint finish and labor. |
| EXIT | RAB warrants that our LED products will be free from defects in materials and workmanship for a period of five (5) years from the date of delivery to the end user, including coverage of light output, color stability, driver performance and fixture finish. |

RAB's warranty is subject to all terms and conditions found at rablighting.com/warranty.

Battery is prorated.

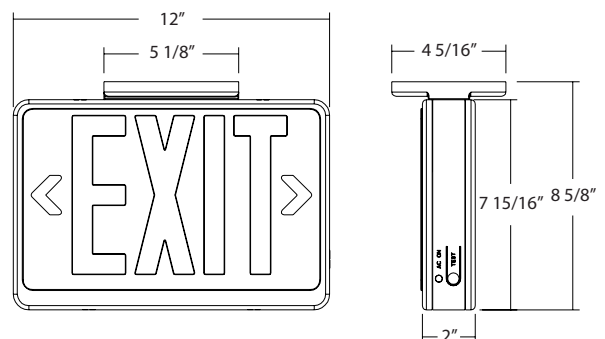
Note

All values are typical (tolerance +/- 10%)

*Select models

EXIT

Weight: 3.6 lbs

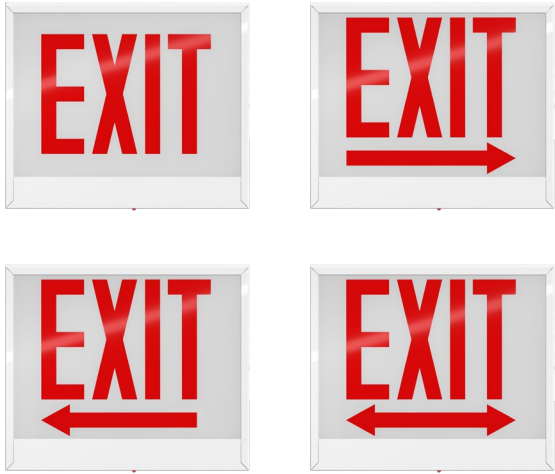


ORDERING MATRIX

| Family | Face | Exit Sign Letter Color | Housing | Battery Backup |
|--------|--------------------------|---|------------------------|----------------------|
| EXIT34 | Blank Universal Faces | Blank G RG Red Green Red/Green Interchangeable | Blank White Housing | /E Battery Backup |

| Family | Face | Heads | Exit Sign Letter Color |
|--------|--------------------------|-------------------|-------------------------|
| EXIT | Blank Universal Faces | Blank No Heads | R GR Red Green |

Exit Signs - Chicago Approved



PROJECT: _____

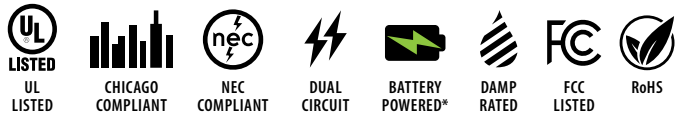
DATE: _____

TYPE: _____

PREPARED BY: _____



Chicago-Approved Exit Signs



KEY FEATURES

- Single-face or double-face panel with red letters
- Steel housing
- 90-minutes of battery backup*
- Approved for use in the city of Chicago

*Select models

PERFORMANCE

| Catalog Number | Arrow Direction | Number of Faces | Emergency Illumination | Battery Backup | Battery Voltage | Recharge Time Required | Storage Shelf Life |
|----------------|------------------|----------------------------------|------------------------|----------------|-----------------|------------------------|---|
| EXIT-1CH/E | No Arrow | Single Face | 90 minutes | Battery Backup | 4.8V | 24 hours | 3 years before the initial charge 5 years after initial charge |
| EXIT-1DACH/E | Double Arrow | | | | | | |
| EXIT-1RACH/E | Right Arrow | | | | | | |
| EXIT-1LACH/E | Left Arrow | | | | | | |
| EXIT-1CH | No Arrow | Single Face | None | AC Only | None | None | None |
| EXIT-1DACH | Double Arrow | | | | | | |
| EXIT-1RACH | Right Arrow | | | | | | |
| EXIT-1LACH | Left Arrow | | | | | | |
| EXIT-CH/E | No Arrow | Universal Single/ Double Face | 90 minutes | Battery Backup | 4.8V | 24 hours | 3 years before the initial charge 5 years after initial charge |
| EXIT-DACH/E | Double Arrow | | | | | | |
| EXIT-LRACH/E | Left/Right Arrow | | | | | | |
| EXIT-CH | No Arrow | Universal Single/ Double Face | None | AC Only | None | None | None |
| EXIT-DACH | Double Arrow | | | | | | |
| EXIT-LRACH | Left/Right Arrow | | | | | | |

TECHNICAL SPECIFICATIONS

CONSTRUCTION

Product Type

Chicago Approved Steel Exit/Stair Sign

Shape

Rectangle

Housing Material

Steel Sheet

Panel Material

Glass

Panel Color

White

Letter Color

Red

Housing Color

White

Number of Faces

Single face, universal single/double face

Arrow Direction

No arrow, left arrow, right arrow, left/right arrow, double arrow

Sign Format

Panel

Remote Capacity

No

ELECTRICAL

Input Voltage

Dual 120/277 Voltage

Operating Frequency

60Hz

Input Current @ 120V (mA)

10 mA

Input Current @ 277V (mA)

50 mA

Operating Temperature

32°F to 122°F (0°C to 50°C)

Power Factor

≥0.4

Emergency Illumination*

90 minutes

Battery Backup*

Battery Backup

Battery Type*

Nickel Cadmium

Battery Voltage*

4.8V

Recharge Time Required*

24 hours

Storage Temperature

68°F to 86°F (20°C to 30°C)

Storage Shelf Life*

3 years before the initial charge. 5 years after initial charge.

Self Diagnostics

Manual Test

INSTALLATION

Mounting Method*

Back/Top/End

Mounting Type

Wall/Ceiling Mount

Cold Weather Rated

No

COMPLIANCE

Safety Listing

UL924 Listed, NFPA 101 (current Life Safety Code), NEC and OSHA illumination standards

Environment

Suitable for indoor use in dry and damp environments.

IP Rating

Indoor

T20 Compliant

Can be used to conform with the requirements of California Title 20.

California Title 24 JA8 Compliant

Not Applicable

California Energy Commission (CEC) Status

Lawful for Sales in California

City Compliance

Chicago Approved

FCC

Complies with Part 15 of the FCC Rules.

OTHER

Warranty

RAB warrants that our LED products will be free from defects in materials and workmanship for a period of five (5) years from the date of delivery to the end user, including coverage of light output, color stability, driver performance and fixture finish.

RAB's warranty is subject to all terms and conditions found at rablighting.com/warranty.

Battery is prorated.

Note

All values are typical (tolerance +/- 10%)

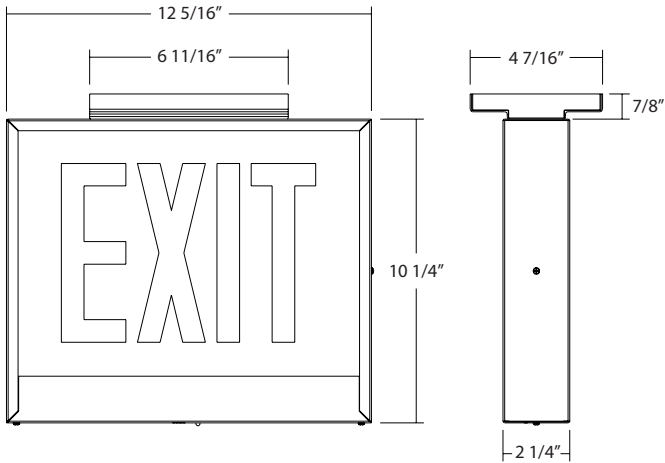
**Select models*

Exit Signs - Chicago Approved

DIMENSIONS

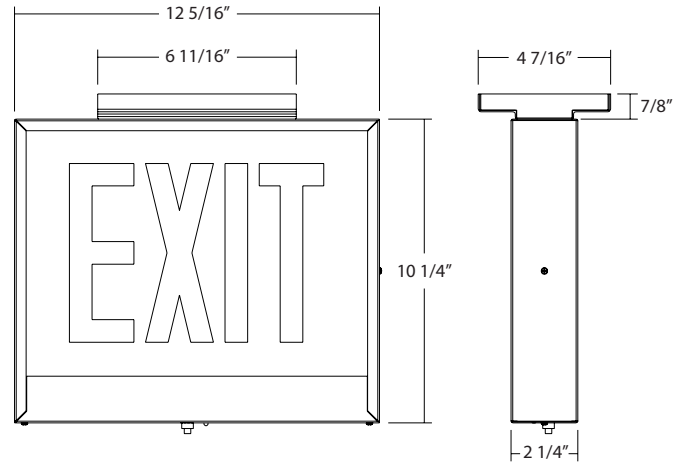
No arrow

Weight: 4.91 lbs



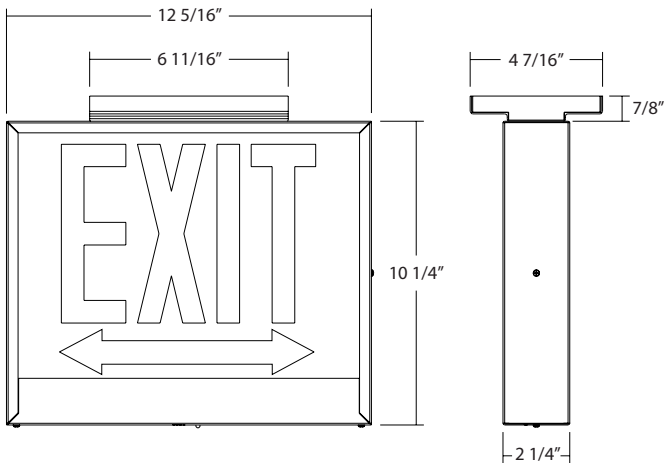
No arrow with battery backup

Weight: 4.91 lbs



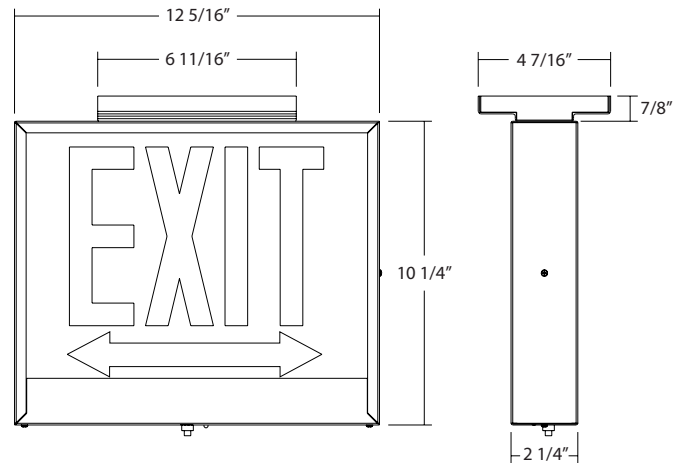
Left/right arrow, double arrow

Weight: 4.91 lbs



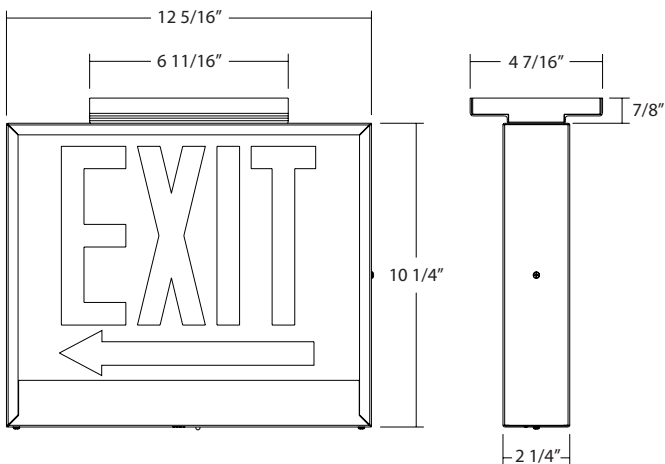
Left/right arrow, double arrow with battery backup

Weight: 4.91 lbs



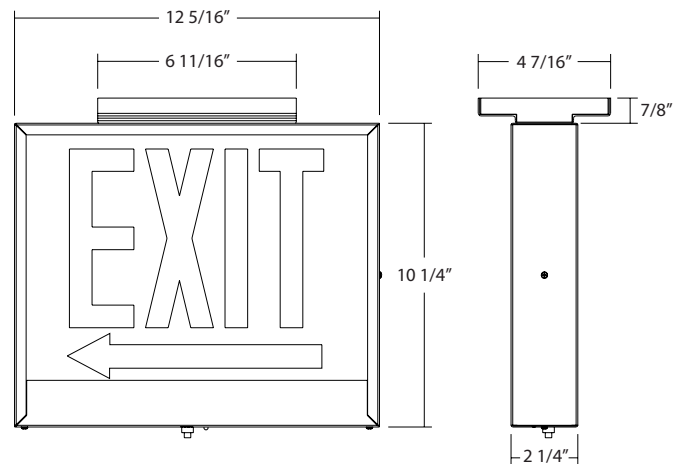
Left arrow

Weight: 4.91 lbs



Left arrow with battery backup

Weight: 4.91 lbs

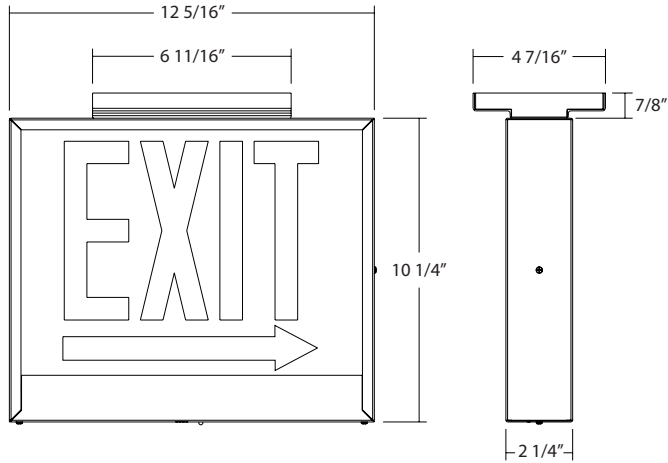


Exit Signs - Chicago Approved

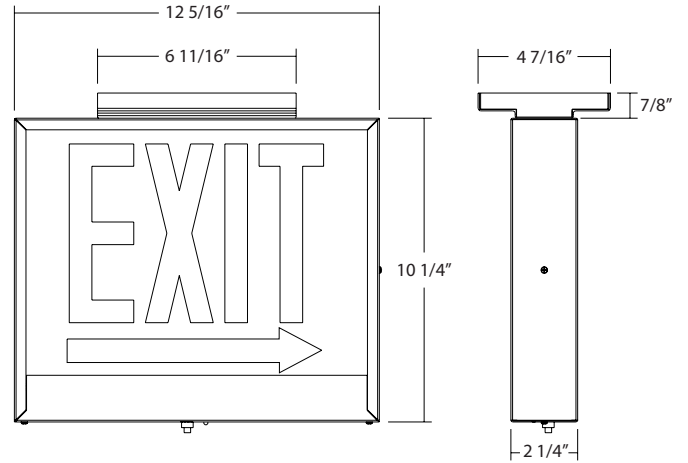


DIMENSIONS (CONT.)

Right arrow
Weight: 4.91 lbs



Right arrow with battery backup
Weight: 4.91 lbs



ORDERING MATRIX

| Family | Face | Exit Sign Letter Color | Arrows | Housing | State | Battery Backup | Remote Capability | | |
|--------|------------|---------------------------|--------------|---------|---|------------------------|-------------------|--|-------------|
| EXIT | - | | | | CH | | | | |
| | Blank 1 | Universal Faces 1 Face | Blank Red | Blank | No Arrow Double Arrow Left Arrow Right Arrow Left Right Arrow | Blank White Housing | CH Chicago | Blank No Battery Backup /E Battery Backup | Blank No |



PROJECT:

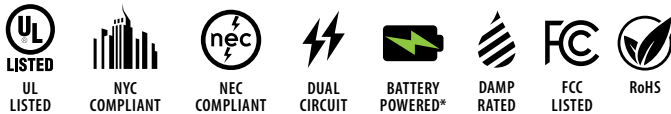
DATE:

TYPE:

PREPARED BY:



NYC-Approved Exit Sign



*Select model

KEY FEATURES

- Double-face panel with red letters
- Steel housing
- 90-minutes of battery backup*
- New York City compliant

PERFORMANCE

| Catalog Number | Letter Color | Input Power | Emergency Illumination | Battery Backup | Battery Voltage | Recharge Time Required | Storage Shelf Life |
|----------------|--------------|-------------------|------------------------|----------------|-----------------|------------------------|---|
| EXIT-NY/E | Red | 5W @120V and 277V | 90 minutes | Battery Backup | 3.6V | 24 hours | 3 years before the initial charge 5 years after initial charge |
| EXIT-NY | Red | 5W @120V and 277V | None | AC Only | None | None | None |

TECHNICAL SPECIFICATIONS

CONSTRUCTION

Product Type
New York City Compliant Exit Sign

Shape
Rectangle

Housing Material
Steel Sheet

Panel Material
Steel Sheet

Panel Color
White

Letter Color
Red

Housing Color
White

Number of Faces
Universal single/double face

Arrow Direction
None

Sign Format
Stencil

Remote Capacity
No

ELECTRICAL

Input Voltage
Dual 120/277 Voltage

Operating Frequency
60Hz

Input Current @ 120V (mA)
41 mA

Input Current @ 277V (mA)
18 mA

Operating Temperature
32°F to 122°F (0°C to 50°C)

Power Factor
≥0.9

Emergency Illumination*
90 minutes

Battery Backup*
Battery Backup

Battery Type*
Nickel Cadmium

Battery Voltage*
3.6V

Recharge Time Required*
24 hours

*Select model

TECHNICAL SPECIFICATIONS (CONT.)

ELECTRICAL

Storage Temperature

68°F to 86°F (20°C to 30°C)

Storage Shelf Life*

3 years before the initial charge. 5 years after initial charge.

Self Diagnostics

Manual Test

INSTALLATION

Mounting Method

Back/Top/End

Mounting Type

Wall/Ceiling Mount

Cold Weather Rated

No

COMPLIANCE

Safety Listing

UL924 Listed, NFPA 101 (current Life Safety Code), NEC and OSHA illumination standards

Environment

Suitable for indoor use in dry and damp environments.

IP Rating

Indoor

T20 Compliant

Can be used to conform with the requirements of California Title 20.

California Title 24 JA8 Compliant

Not Applicable

California Energy Commission (CEC) Status

Lawful for Sales in California

City Compliance

New York City Approved

FCC

Complies with Part 15 of the FCC Rules.

OTHER

Warranty

RAB warrants that our LED products will be free from defects in materials and workmanship for a period of five (5) years from the date of delivery to the end user, including coverage of light output, color stability, driver performance and fixture finish.

RAB's warranty is subject to all terms and conditions found at rablighting.com/warranty.

Battery is prorated.

Note

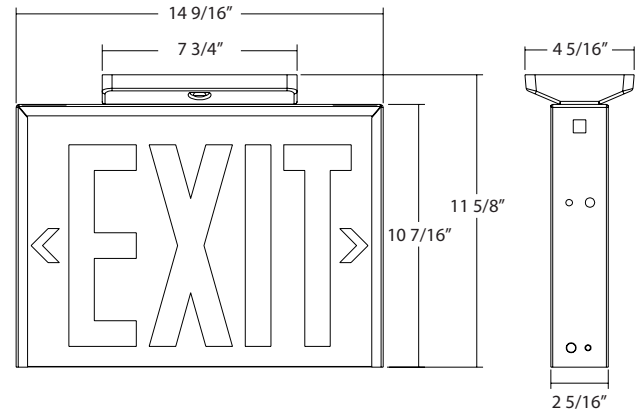
All values are typical (tolerance +/- 10%)

*Select models

DIMENSIONS

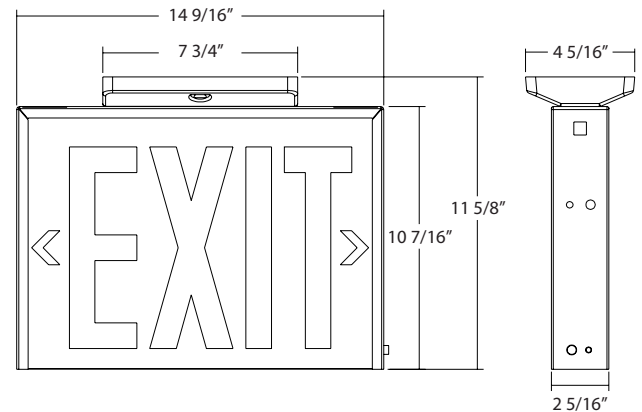
EXIT-NY

Weight: 5.38 lbs



EXIT-NY/E

Weight: 5.38 lbs

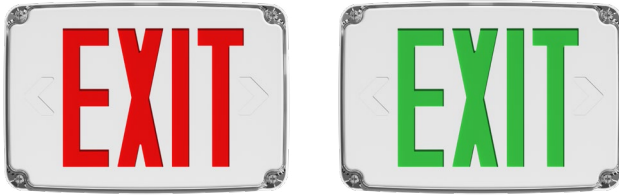


Exit Signs - NYC Approved



ORDERING MATRIX

| Family | Face | Exit Sign Letter Color | Arrows | Housing | State | Battery Backup | Remote Capability |
|--------|-----------------|------------------------|-------------------|---------|-------------------|----------------|-------------------|
| EXIT | - | | | | NY | | |
| Blank | Universal Faces | Blank | Red | Blank | No Arrow | Blank | White Housing |
| NY | New York | Blank /E | No Battery Backup | Blank | No Battery Backup | Blank | No |



PROJECT: _____

DATE: _____

TYPE: _____

PREPARED BY: _____



Outdoor Exit Signs



*Select models

KEY FEATURES

- Single-face panel with red or green letters
- Durable thermoplastic design
- Outdoor rated for cold*, dry, damp, and wet environments

PERFORMANCE

| Catalog Number | Letter Color | Battery Backup | Battery Voltage | Recharge Time Required | Emergency Illumination | Storage Shelf Life | Cold Weather Rated |
|----------------|--------------|----------------|-----------------|------------------------|------------------------|---|--------------------|
| EXITOUT-C | Red | Battery Backup | 4.8V | 24 hours | 90 minutes | 3 years before the initial charge 5 years after initial charge | Yes |
| EXITOUT | Red | AC Only | None | None | None | None | No |
| EXITOUT-GC | Green | Battery Backup | 4.8V | 24 hours | 90 minutes | 3 years before the initial charge 5 years after initial charge | Yes |
| EXITOUT-G | Green | AC Only | None | None | None | None | No |

TECHNICAL SPECIFICATIONS

CONSTRUCTION

| | |
|--|--------------------------------|
| Product Type Outdoor Exit Sign | Arrow Direction None |
| Shape Rectangle | Sign Format Stencil |
| Housing Material Thermoplastic | Remote Capacity No |
| Panel Material Thermoplastic | |
| Panel Color White | |
| Letter Color Red, green | |
| Housing Color White | |
| Number of Faces Single face | |

ELECTRICAL

| | |
|---|---|
| Input Voltage Dual 120/277 Voltage | Recharge Time Required* 24 hours |
| Operating Frequency 60Hz | Storage Temperature 68°F to 86°F (20°C to 30°C) |
| Operating Temperature -4°F to 122°F (-20°C to 50°C) | Storage Shelf Life* 3 years before the initial charge. 5 years after initial charge. |
| Power Factor ≥0.9 | Self Diagnostics Manual Test |
| Emergency Illumination* 90 minutes | |
| Battery Backup* Battery Backup | <i>*Select models</i> |
| Battery Type* Nickel Cadmium | |
| Battery Voltage* 4.8V | |

TECHNICAL SPECIFICATIONS (CONT.)

INSTALLATION

Mounting Method

Back/Top/End

Mounting Type

Wall/Ceiling Mount

Cold Weather Rated*

Yes

COMPLIANCE

Safety Listing

UL924 Listed, NFPA 101 (current Life Safety Code), NEC and OSHA illumination standards

Environment

Suitable for indoor or outdoor use in dry, damp, and wet environments.

IP Rating

Outdoor

T20 Compliant

Can be used to conform with the requirements of California Title 20.

California Title 24 JA8 Compliant

Not Applicable

California Energy Commission (CEC) Status

Lawful for Sales in California

FCC

Complies with Part 15 of the FCC Rules.

OTHER

Warranty

RAB warrants that our LED products will be free from defects in materials and workmanship for a period of five (5) years from the date of delivery to the end user, including coverage of light output, color stability, driver performance and fixture finish.

RAB's warranty is subject to all terms and conditions found at rablighting.com/warranty.

Battery is prorated.

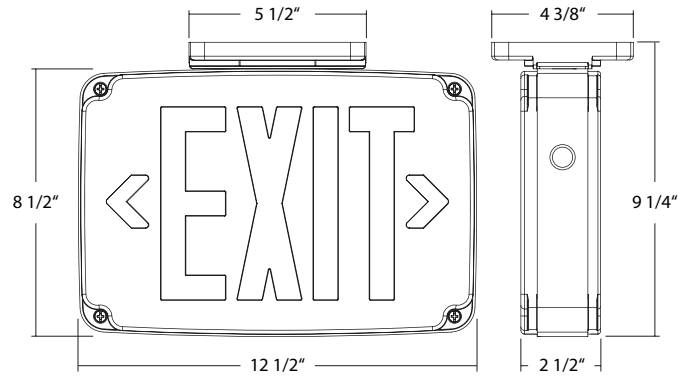
Note

All values are typical (tolerance +/- 10%)

DIMENSIONS

EXITOUT

Weight: 2.95 lbs



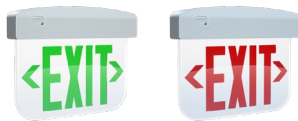
ORDERING MATRIX

| Family | Face | Exit Sign Letter Color | Panel | Housing | Cold Weather |
|---------|-------|------------------------|-----------|-------------|---------------------------------|
| EXITOUT | - | | | | |
| | Blank | 1 Face | Blank | White Panel | Blank |
| | | G | Red Green | Blank | White Housing |
| | | | | | C |
| | | | | | Wet Location Rated Cold Weather |

Edge-Lit Exit Signs



EXITEDGE



EXITEDGE34

PROJECT: _____

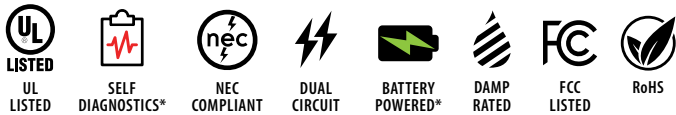
DATE: _____

TYPE: _____

PREPARED BY: _____



Edge-Lit and Ultra-Economy Edge-Lit Exit Signs



*Select models

KEY FEATURES

- Single-face or double-face panel with red or green letters
- Modern edge-lit design
- 90-minutes of battery backup*

PERFORMANCE

| Catalog Number | Letter Color | Panel Color | Battery Backup | Recharge Time Required | Emergency Illumination | Self Diagnostics | Storage Shelf Life |
|------------------|--------------|-------------|----------------|------------------------|------------------------|------------------|---|
| EXITEDGE-1S/E | Red | Clear | Battery Backup | 24 hours | 90 minutes | Self-Diagnostics | 3 years before the initial charge 5 years after initial charge |
| EXITEDGE-1/E | Red | Clear | Battery Backup | 24 hours | 90 minutes | Manual Test | 3 years before the initial charge 5 years after initial charge |
| EXITEDGE-1 | Red | Clear | AC Only | None | None | Manual Test | None |
| EXITEDGE-1WS/E | Red | Clear | Battery Backup | 24 hours | 90 minutes | Self-Diagnostics | 3 years before the initial charge 5 years after initial charge |
| EXITEDGE-1W/E | Red | Clear | Battery Backup | 24 hours | 90 minutes | Manual Test | 3 years before the initial charge 5 years after initial charge |
| EXITEDGE-1W | Red | Clear | AC Only | None | None | Manual Test | None |
| EXITEDGE-1MPS/E | Red | Mirror | Battery Backup | 24 hours | 90 minutes | Self-Diagnostics | 3 years before the initial charge 5 years after initial charge |
| EXITEDGE-1MP/E | Red | Mirror | Battery Backup | 24 hours | 90 minutes | Manual Test | 3 years before the initial charge 5 years after initial charge |
| EXITEDGE-1MP | Red | Mirror | AC Only | None | None | Manual Test | None |
| EXITEDGE-1MPWS/E | Red | Mirror | Battery Backup | 24 hours | 90 minutes | Self-Diagnostics | 3 years before the initial charge 5 years after initial charge |
| EXITEDGE-1MPW/E | Red | Mirror | Battery Backup | 24 hours | 90 minutes | Manual Test | 3 years before the initial charge 5 years after initial charge |
| EXITEDGE-1MPW | Red | Mirror | AC Only | None | None | Manual Test | None |

PERFORMANCE (CONT.)

| Catalog Number | Letter Color | Panel Color | Battery Backup | Recharge Time Required | Emergency Illumination | Self Diagnostics | Storage Shelf Life |
|-------------------|--------------|-------------|----------------|------------------------|------------------------|------------------|---|
| EXITEDGE-1WPS/E | Red | White | Battery Backup | 24 hours | 90 minutes | Self-Diagnostics | 3 years before the initial charge 5 years after initial charge |
| EXITEDGE-1WP/E | Red | White | Battery Backup | 24 hours | 90 minutes | Manual Test | 3 years before the initial charge 5 years after initial charge |
| EXITEDGE-1WP | Red | White | AC Only | None | None | Manual Test | None |
| EXITEDGE-1WPWS/E | Red | White | Battery Backup | 24 hours | 90 minutes | Self-Diagnostics | 3 years before the initial charge 5 years after initial charge |
| EXITEDGE-1WPW/E | Red | White | Battery Backup | 24 hours | 90 minutes | Manual Test | 3 years before the initial charge 5 years after initial charge |
| EXITEDGE-1WPW | Red | White | AC Only | None | None | Manual Test | None |
| EXITEDGE-1GS/E | Green | Clear | Battery Backup | 24 hours | 90 minutes | Self-Diagnostics | 3 years before the initial charge 5 years after initial charge |
| EXITEDGE-1G/E | Green | Clear | Battery Backup | 24 hours | 90 minutes | Manual Test | 3 years before the initial charge 5 years after initial charge |
| EXITEDGE-1G | Green | Clear | AC Only | None | None | Manual Test | None |
| EXITEDGE-1GWS/E | Green | Clear | Battery Backup | 24 hours | 90 minutes | Self-Diagnostics | 3 years before the initial charge 5 years after initial charge |
| EXITEDGE-1GW/E | Green | Clear | Battery Backup | 24 hours | 90 minutes | Manual Test | 3 years before the initial charge 5 years after initial charge |
| EXITEDGE-1GW | Green | Clear | AC Only | None | None | Manual Test | None |
| EXITEDGE-1GMPS/E | Green | Mirror | Battery Backup | 24 hours | 90 minutes | Self-Diagnostics | 3 years before the initial charge 5 years after initial charge |
| EXITEDGE-1GMP/E | Green | Mirror | Battery Backup | 24 hours | 90 minutes | Manual Test | 3 years before the initial charge 5 years after initial charge |
| EXITEDGE-1GMP | Green | Mirror | AC Only | None | None | Manual Test | None |
| EXITEDGE-1GMPWS/E | Green | Mirror | Battery Backup | 24 hours | 90 minutes | Self-Diagnostics | 3 years before the initial charge 5 years after initial charge |
| EXITEDGE-1GMPW/E | Green | Mirror | Battery Backup | 24 hours | 90 minutes | Manual Test | 3 years before the initial charge 5 years after initial charge |
| EXITEDGE-1GMPW | Green | Mirror | AC Only | None | None | Manual Test | None |
| EXITEDGE-1GWPS/E | Green | White | Battery Backup | 24 hours | 90 minutes | Self-Diagnostics | 3 years before the initial charge 5 years after initial charge |
| EXITEDGE-1GWP/E | Green | White | Battery Backup | 24 hours | 90 minutes | Manual Test | 3 years before the initial charge 5 years after initial charge |
| EXITEDGE-1GWP | Green | White | AC Only | None | None | Manual Test | None |
| EXITEDGE-1GWPWS/E | Green | White | Battery Backup | 24 hours | 90 minutes | Self-Diagnostics | 3 years before the initial charge 5 years after initial charge |
| EXITEDGE-1GWPW/E | Green | White | Battery Backup | 24 hours | 90 minutes | Manual Test | 3 years before the initial charge 5 years after initial charge |
| EXITEDGE-1GWPW | Green | White | AC Only | None | None | Manual Test | None |
| EXITEDGE-MPS/E | Red | Mirror | Battery Backup | 24 hours | 90 minutes | Self-Diagnostics | 3 years before the initial charge 5 years after initial charge |
| EXITEDGE-MP/E | Red | Mirror | Battery Backup | 24 hours | 90 minutes | Manual Test | 3 years before the initial charge 5 years after initial charge |

PERFORMANCE (CONT.)

| Catalog Number | Letter Color | Panel Color | Battery Backup | Recharge Time Required | Emergency Illumination | Self Diagnostics | Storage Shelf Life |
|------------------|--------------|-------------|----------------|------------------------|------------------------|------------------|---|
| EXITEDGE-MP | Red | Mirror | AC Only | None | None | Manual Test | None |
| EXITEDGE-MPWS/E | Red | Mirror | Battery Backup | 24 hours | 90 minutes | Self-Diagnostics | 3 years before the initial charge 5 years after initial charge |
| EXITEDGE-MPW/E | Red | Mirror | Battery Backup | 24 hours | 90 minutes | Manual Test | 3 years before the initial charge 5 years after initial charge |
| EXITEDGE-MPW | Red | Mirror | AC Only | None | None | Manual Test | None |
| EXITEDGE-WPS/E | Red | White | Battery Backup | 24 hours | 90 minutes | Self-Diagnostics | 3 years before the initial charge 5 years after initial charge |
| EXITEDGE-WP/E | Red | White | Battery Backup | 24 hours | 90 minutes | Manual Test | 3 years before the initial charge 5 years after initial charge |
| EXITEDGE-WP | Red | White | AC Only | None | None | Manual Test | None |
| EXITEDGE-WPWS/E | Red | White | Battery Backup | 24 hours | 90 minutes | Self-Diagnostics | 3 years before the initial charge 5 years after initial charge |
| EXITEDGE-WPW/E | Red | White | Battery Backup | 24 hours | 90 minutes | Manual Test | 3 years before the initial charge 5 years after initial charge |
| EXITEDGE-WPW | Red | White | AC Only | None | None | Manual Test | None |
| EXITEDGE-GMPS/E | Green | Mirror | Battery Backup | 24 hours | 90 minutes | Self-Diagnostics | 3 years before the initial charge 5 years after initial charge |
| EXITEDGE-GMP/E | Green | Mirror | Battery Backup | 24 hours | 90 minutes | Manual Test | 3 years before the initial charge 5 years after initial charge |
| EXITEDGE-GMP | Green | Mirror | AC Only | None | None | Manual Test | None |
| EXITEDGE-GMPWS/E | Green | Mirror | Battery Backup | 24 hours | 90 minutes | Self-Diagnostics | 3 years before the initial charge 5 years after initial charge |
| EXITEDGE-GMPW/E | Green | Mirror | Battery Backup | 24 hours | 90 minutes | Manual Test | 3 years before the initial charge 5 years after initial charge |
| EXITEDGE-GMPW | Green | Mirror | AC Only | None | None | Manual Test | None |
| EXITEDGE-GWPS/E | Green | White | Battery Backup | 24 hours | 90 minutes | Self-Diagnostics | 3 years before the initial charge 5 years after initial charge |
| EXITEDGE-GWP/E | Green | White | Battery Backup | 24 hours | 90 minutes | Manual Test | 3 years before the initial charge 5 years after initial charge |
| EXITEDGE-GWP | Green | White | AC Only | None | None | Manual Test | None |
| EXITEDGE-GWPWS/E | Green | White | Battery Backup | 24 hours | 90 minutes | Self-Diagnostics | 3 years before the initial charge 5 years after initial charge |
| EXITEDGE-GWPW/E | Green | White | Battery Backup | 24 hours | 90 minutes | Manual Test | 3 years before the initial charge 5 years after initial charge |
| EXITEDGE-GWPW | Green | White | AC Only | None | None | Manual Test | None |
| EXITEDGE34-1W | Red | Clear | AC Only | None | None | Manual Test | None |
| EXITEDGE34-1W/E | Red | Clear | Battery Backup | 24 hours | 90 minutes | Manual Test | 3 years before the initial charge 5 years after initial charge |
| EXITEDGE34-1GW | Green | Clear | AC Only | None | None | Manual Test | None |
| EXITEDGE34-1GW/E | Green | Clear | Battery Backup | 24 hours | 90 minutes | Manual Test | 3 years before the initial charge 5 years after initial charge |

TECHNICAL SPECIFICATIONS

CONSTRUCTION

Product Type

Edge-lit Exit Sign

Shape

Rectangle

Housing Material

EXITEDGE: Aluminum

EXITEDGE34: Thermoplastic

Panel Material

Acrylic

Panel Color

Clear, white, mirror

Letter Color

Red, Green

Housing Color

White, Aluminum

Number of Faces

Single Face, Double Face

Sign Format

Edge-lit

Remote Capacity

No

ELECTRICAL

Input Voltage

Dual 120/277 Voltage

Operating Frequency

60Hz

Operating Temperature

32°F to 122°F (0°C to 50°C)

Power Factor

≥0.9

Emergency Illumination*

90 minutes

Battery Backup*

Battery Backup

Battery Type*

Nickel Cadmium

Battery Voltage*

4.8V

Recharge Time Required*

24 hours

Storage Temperature

68°F to 86°F (20°C to 30°C)

Storage Shelf Life*

3 years before the initial charge. 5 years after initial charge.

Self Diagnostics*

Manual Test, Self Diagnostics

INSTALLATION

Mounting Method

Back/Top/End

Mounting Type

Wall/Ceiling Mount

Cold Weather Rated

No

COMPLIANCE

Safety Listing

UL924 Listed, NFPA 101 (current Life Safety Code), NEC and OSHA illumination standards

Environment

Suitable for indoor use in dry and damp environments.

IP Rating

Indoor

T20 Compliant

Can be used to conform with the requirements of California Title 20.

California Title 24 JA8 Compliant

Not Applicable

California Energy Commission (CEC) Status

Lawful for Sales in California

FCC

Complies with Part 15 of the FCC Rules.

OTHER

Warranty

RAB warrants that our LED products will be free from defects in materials and workmanship for a period of five (5) years from the date of delivery to the end user, including coverage of light output, color stability, driver performance and fixture finish.

RAB's warranty is subject to all terms and conditions found at rablighting.com/warranty.

Battery is prorated.

Note

All values are typical (tolerance +/- 10%)

**Select models*

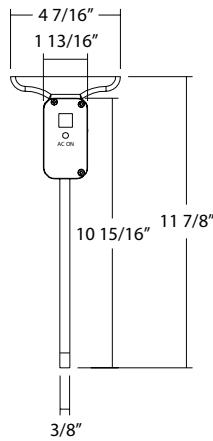
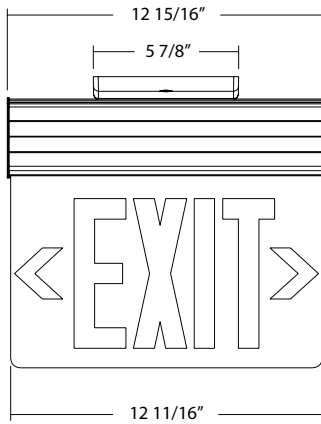
Edge-Lit Exit Signs



DIMENSIONS

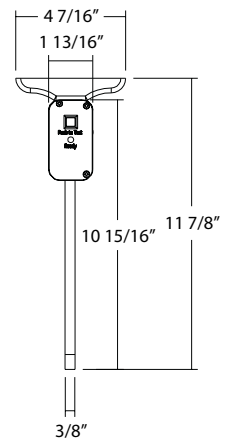
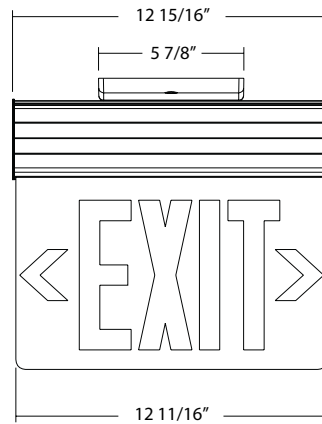
EXITEDGE

Weight: 3.20 lbs



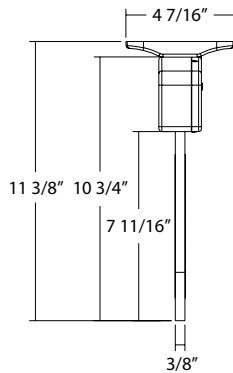
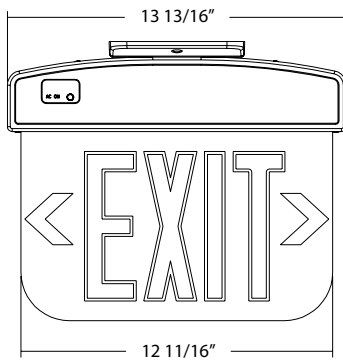
EXITEDGE with battery backup

Weight: 3.20 lbs



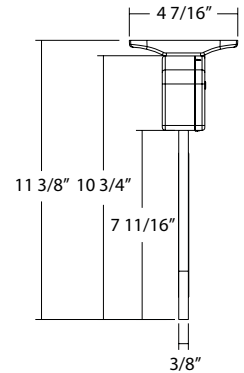
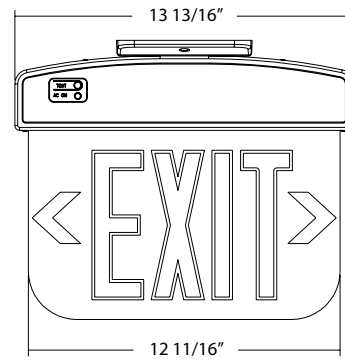
EXITEDGE34

Weight: 2.95 lbs



EXITEDGE34 with battery backup

Weight: 2.95 lbs



ORDERING MATRIX

| Family | Face | Exit Sign Letter Color | Panel | Housing | Self Diagnostics | Battery Backup | | |
|----------|------------|---------------------------|------------|--------------------------|---|--|--|--|
| EXITEDGE | - | | | | | | | |
| | Blank 1 | Universal Faces 1 Face | Blank G | Red Green MP WP | Blank Clear Panel Mirror Panel White Panel | Blank Aluminum Housing White Housing | Blank No Self Diagnostics Self Diagnostics | Blank No Battery Backup Battery Backup |

| Family | Face | Exit Sign Letter Color | Panel | Housing | Arrows | Self Diagnostics | Battery Backup | | | |
|------------|------|------------------------|------------|--------------|----------------------|------------------|----------------|--------------------|------------------------------|--|
| EXITEDGE34 | - | | | | | | | | | |
| | 1 | 1 Face | Blank G | Red Green | Blank Clear Panel | W | White Housing | Blank No Arrows | Blank No Self Diagnostics | Blank No Battery Backup Battery Backup |

Edge-Lit Exit Signs - Chicago Approved



PROJECT: _____

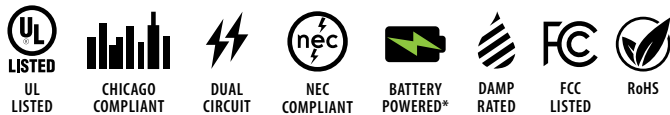
DATE: _____

TYPE: _____

PREPARED BY: _____



Chicago-Approved Edge-Lit Exit Signs



KEY FEATURES

- Single-face or double-face panel with red letters
- Modern edge-lit design
- 90-minutes of battery backup*
- Approved for use in the city of Chicago

*Select models

PERFORMANCE

| Catalog Number | Letter Color | Housing Color | Arrow Direction | Battery Backup | Recharge Time Required | Emergency Illumination | Storage Shelf Life |
|---------------------|--------------|---------------|-----------------|----------------|------------------------|------------------------|---|
| EXITEDGE-1WPCH/E | Red | Aluminum | No Arrow | Battery Backup | 24 hours | 90 minutes | 3 years before the initial charge 5 years after initial charge |
| EXITEDGE-1WPDACH/E | Red | Aluminum | Double Arrow | Battery Backup | 24 hours | 90 minutes | 3 years before the initial charge 5 years after initial charge |
| EXITEDGE-1WPRACH/E | Red | Aluminum | Right Arrow | Battery Backup | 24 hours | 90 minutes | 3 years before the initial charge 5 years after initial charge |
| EXITEDGE-1WPLACH/E | Red | Aluminum | Left Arrow | Battery Backup | 24 hours | 90 minutes | 3 years before the initial charge 5 years after initial charge |
| EXITEDGE-1WPCH | Red | Aluminum | No Arrow | AC Only | None | None | None |
| EXITEDGE-1WPDACH | Red | Aluminum | Double Arrow | AC Only | None | None | None |
| EXITEDGE-1WPRACH | Red | Aluminum | Right Arrow | AC Only | None | None | None |
| EXITEDGE-1WPLACH | Red | Aluminum | Left Arrow | AC Only | None | None | None |
| EXITEDGE-1WPWCH/E | Red | White | No Arrow | Battery Backup | 24 hours | 90 minutes | 3 years before the initial charge 5 years after initial charge |
| EXITEDGE-1WPWDACH/E | Red | White | Double Arrow | Battery Backup | 24 hours | 90 minutes | 3 years before the initial charge 5 years after initial charge |
| EXITEDGE-1WPWRACH/E | Red | White | Right Arrow | Battery Backup | 24 hours | 90 minutes | 3 years before the initial charge 5 years after initial charge |
| EXITEDGE-1WPWLACH/E | Red | White | Left Arrow | Battery Backup | 24 hours | 90 minutes | 3 years before the initial charge 5 years after initial charge |

PERFORMANCE (CONT.)

| Catalog Number | Letter Color | Housing Color | Arrow Direction | Battery Backup | Recharge Time Required | Emergency Illumination | Storage Shelf Life |
|--------------------|--------------|---------------|------------------|----------------|------------------------|------------------------|---|
| EXITEDGE-1WPWCH | Red | White | No Arrow | AC Only | None | None | None |
| EXITEDGE-1WPWDACH | Red | White | Double Arrow | AC Only | None | None | None |
| EXITEDGE-1WPWRACH | Red | White | Right Arrow | AC Only | None | None | None |
| EXITEDGE-1WPWLACH | Red | White | Left Arrow | AC Only | None | None | None |
| EXITEDGE-WPCH/E | Red | Aluminum | No Arrow | Battery Backup | 24 hours | 90 minutes | 3 years before the initial charge 5 years after initial charge |
| EXITEDGE-WPDACH/E | Red | Aluminum | Double Arrow | Battery Backup | 24 hours | 90 minutes | 3 years before the initial charge 5 years after initial charge |
| EXITEDGE-WPLRACH/E | Red | Aluminum | Left/Right Arrow | Battery Backup | 24 hours | 90 minutes | 3 years before the initial charge 5 years after initial charge |
| EXITEDGE-WPCH | Red | Aluminum | No Arrow | AC Only | None | None | None |
| EXITEDGE-WPDACH | Red | Aluminum | Double Arrow | AC Only | None | None | None |
| EXITEDGE-WPLRACH | Red | Aluminum | Left/Right Arrow | AC Only | None | None | None |
| EXITEDGE-WPWCH/E | Red | White | No Arrow | Battery Backup | 24 hours | 90 minutes | 3 years before the initial charge 5 years after initial charge |
| EXITEDGE-WPWDACH/E | Red | White | Double Arrow | Battery Backup | 24 hours | 90 minutes | 3 years before the initial charge 5 years after initial charge |
| EXITEDGE-WPWLACH/E | Red | White | Left/Right Arrow | Battery Backup | 24 hours | 90 minutes | 3 years before the initial charge 5 years after initial charge |
| EXITEDGE-WPWCH | Red | White | No Arrow | AC Only | None | None | None |
| EXITEDGE-WPWDACH | Red | White | Double Arrow | AC Only | None | None | None |
| EXITEDGE-WPWLACH | Red | White | Left/Right Arrow | AC Only | None | None | None |

TECHNICAL SPECIFICATIONS

CONSTRUCTION

Product Type

Chicago Approved Edge-lit Exit/Stair Sign

Shape

Rectangle

Housing Material

Aluminum

Panel Material

Acrylic

Panel Color

White

Letter Color

Red

Housing Color

White, aluminum

Number of Faces

Single face, double face

Arrow Direction

No arrow, left arrow, right arrow, left/right arrow, double arrow

Sign Format

Edge-lit

Remote Capacity

No

TECHNICAL SPECIFICATIONS (CONT.)

ELECTRICAL

Input Voltage

Dual 120/277 Voltage

Operating Frequency

60Hz

Operating Temperature

32°F to 122°F (0°C to 50°C)

Power Factor

≥0.9

Emergency Illumination*

90 minutes

Battery Backup*

Battery Backup

Battery Type*

Nickel Cadmium

Battery Voltage*

4.8V

Recharge Time Required*

24 hours

Storage Temperature

68°F to 86°F (20°C to 30°C)

Storage Shelf Life*

3 years before the initial charge. 5 years after initial charge.

Self Diagnostics

Manual Test

INSTALLATION

Mounting Method

Back/Top/End

Mounting Type

Wall/Ceiling Mount

Cold Weather Rated

No

COMPLIANCE

Safety Listing

UL924 Listed, NFPA 101 (current Life Safety Code), NEC and OSHA illumination standards

Environment

Suitable for indoor use in dry and damp environments.

IP Rating

Indoor

T20 Compliant

Can be used to conform with the requirements of California Title 20.

California Title 24 JA8 Compliant

Not Applicable

California Energy Commission (CEC) Status

Lawful for Sales in California

City Compliance

Chicago Approved

FCC

Complies with Part 15 of the FCC Rules.

OTHER

Warranty

RAB warrants that our LED products will be free from defects in materials and workmanship for a period of five (5) years from the date of delivery to the end user, including coverage of light output, color stability, driver performance and fixture finish.

RAB's warranty is subject to all terms and conditions found at rablighting.com/warranty.

Battery is prorated.

Note

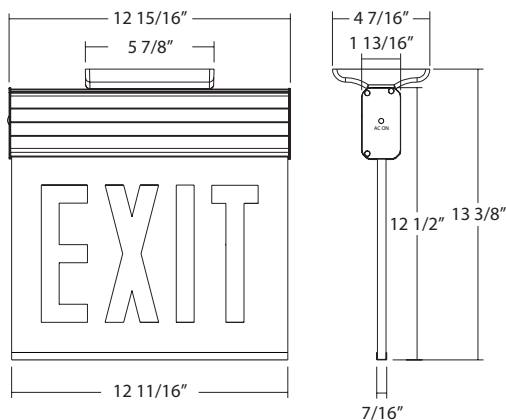
All values are typical (tolerance +/- 10%)

*Select models

DIMENSIONS

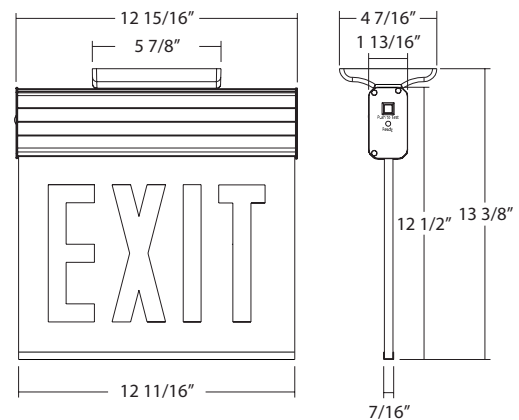
No arrow

Weight: 4 lbs



No arrow with battery backup

Weight: 4 lbs

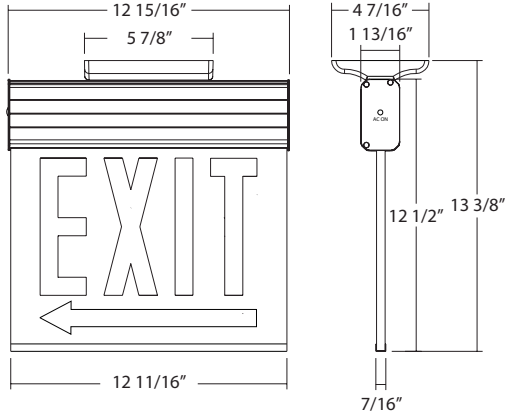


Edge-Lit Exit Signs - Chicago Approved

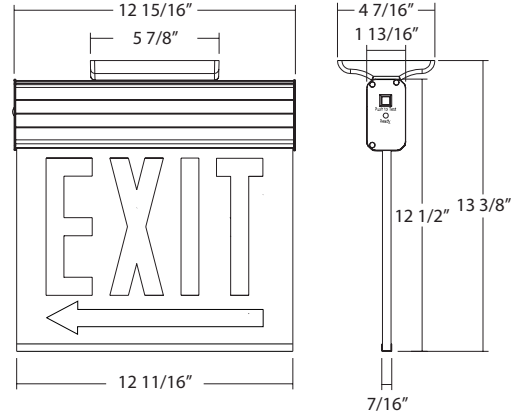


DIMENSIONS (CONT.)

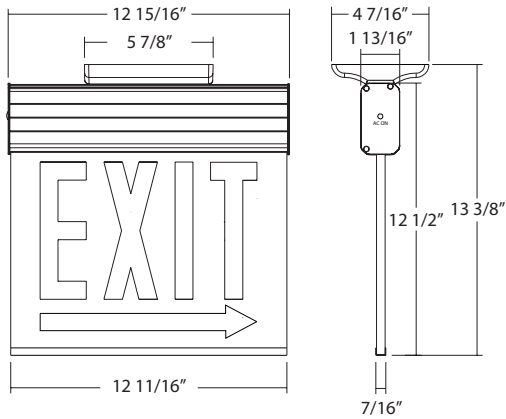
Left arrow
Weight: 4 lbs



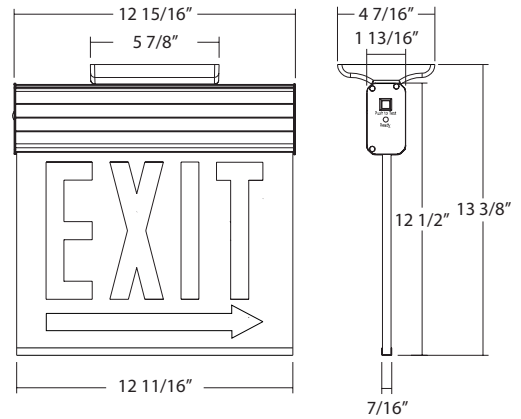
Left arrow with battery backup
Weight: 4 lbs



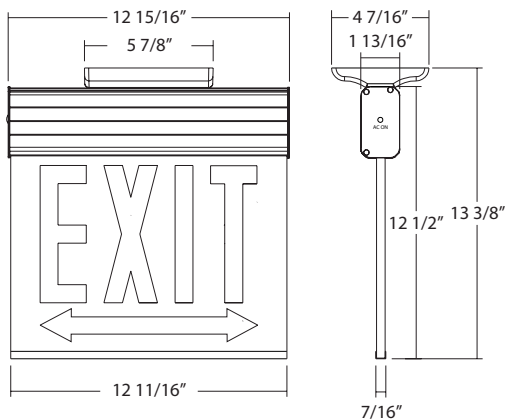
Right arrow
Weight: 4 lbs



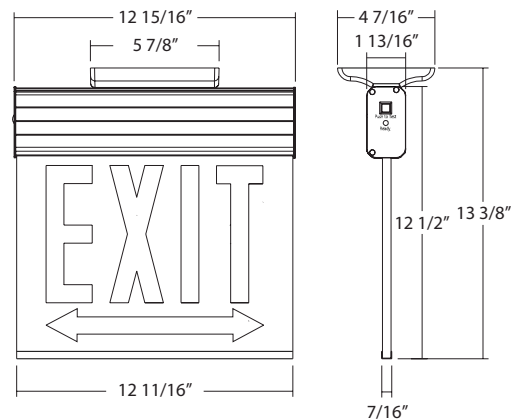
Right arrow with battery backup
Weight: 4 lbs



Left right arrow
Weight: 4 lbs



Left right arrow with battery backup
Weight: 4 lbs



Edge-Lit Exit Signs - Chicago Approved



ORDERING MATRIX

| Family | Face | Exit Sign Letter Color | Panel | Housing | Arrows | Self Diagnostics | State | Battery Backup |
|-------------------|---------------------------|------------------------|---------------------------------------|-----------------------------------|--|----------------------|----------------------|---|
| EXITEDGE | - | | WP | | | | CH | |
| Blank 1 | Universal Faces 1 Face | Blank | Red WP White Panel W | Blank Aluminum White | Blank DA Double Arrow LA Left Arrow RA Right Arrow LRA Left Right Arrow | Blank None | CH Chicago | Blank /E No Battery Backup Battery Backup |

Edge-Lit Exit Signs - NYC Approved



PROJECT: _____

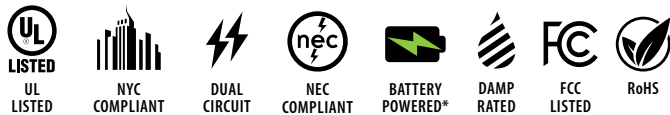
DATE: _____

TYPE: _____

PREPARED BY: _____



NYC-Approved Edge-Lit Exit Signs



KEY FEATURES

- Single-face or double-face panel with red letters
- Modern edge-lit design
- 90-minutes of battery backup*
- Approved for use in the city of Chicago

*Select models

PERFORMANCE

| Catalog Number | Number of Faces | Panel Color | Housing Color | Battery Backup | Recharge Time Required | Emergency Illumination | Storage Shelf Life | Self Diagnostics |
|--------------------|-----------------|-------------|---------------|----------------|------------------------|------------------------|---|------------------|
| EXITEDGE-1SNY/E | Single Face | Clear | Aluminum | Battery Backup | 24 hours | 90 minutes | 3 years before the initial charge 5 years after initial charge | Self-Diagnostics |
| EXITEDGE-1NY/E | | | | Manual Test | | | | |
| EXITEDGE-1NY | | | | AC Only | | | | None |
| EXITEDGE-1WSNY/E | Single Face | Clear | White | Battery Backup | 24 hours | 90 minutes | 3 years before the initial charge 5 years after initial charge | Self-Diagnostics |
| EXITEDGE-1WNY/E | | | | Manual Test | | | | |
| EXITEDGE-1WNY | | | | AC Only | | | | None |
| EXITEDGE-1MPSNY/E | Single Face | Mirror | Aluminum | Battery Backup | 24 hours | 90 minutes | 3 years before the initial charge 5 years after initial charge | Self-Diagnostics |
| EXITEDGE-1MPNY/E | | | | Manual Test | | | | |
| EXITEDGE-1MPNY | | | | AC Only | | | | None |
| EXITEDGE-1MPWSNY/E | Single Face | Mirror | White | Battery Backup | 24 hours | 90 minutes | 3 years before the initial charge 5 years after initial charge | Self-Diagnostics |
| EXITEDGE-1MPWNY/E | | | | Manual Test | | | | |
| EXITEDGE-1MPWNY | | | | AC Only | | | | None |
| EXITEDGE-1WPSNY/E | Single Face | White | Aluminum | Battery Backup | 24 hours | 90 minutes | 3 years before the initial charge 5 years after initial charge | Self-Diagnostics |
| EXITEDGE-1WPNY/E | | | | Manual Test | | | | |
| EXITEDGE-1WPNY | | | | AC Only | | | | None |

PERFORMANCE (CONT.)

| Catalog Number | Number of Faces | Panel Color | Housing Color | Battery Backup | Recharge Time Required | Emergency Illumination | Storage Shelf Life | Self Diagnostics |
|--------------------|-----------------|-------------|---------------|----------------|------------------------|------------------------|---|------------------|
| EXITEDGE-1WPWSNY/E | Single Face | White | White | Battery Backup | 24 hours | 90 minutes | 3 years before the initial charge 5 years after initial charge | Self-Diagnostics |
| EXITEDGE-1WPWNY/E | | | | Manual Test | | | | |
| EXITEDGE-1WPWNY | | | | AC Only | None | None | None | Manual Test |
| EXITEDGE-MPSNY/E | Double Face | Mirror | Aluminum | Battery Backup | 24 hours | 90 minutes | 3 years before the initial charge 5 years after initial charge | Self-Diagnostics |
| EXITEDGE-MPNY/E | | | | Manual Test | | | | |
| EXITEDGE-MPNY | | | | AC Only | None | None | None | Manual Test |
| EXITEDGE-MPWSNY/E | Double Face | Mirror | White | Battery Backup | 24 hours | 90 minutes | 3 years before the initial charge 5 years after initial charge | Self-Diagnostics |
| EXITEDGE-MPWNY/E | | | | Manual Test | | | | |
| EXITEDGE-MPWNY | | | | AC Only | None | None | None | Manual Test |
| EXITEDGE-WPSNY/E | Double Face | White | Aluminum | Battery Backup | 24 hours | 90 minutes | 3 years before the initial charge. 5 years after initial charge. | Self-Diagnostics |
| EXITEDGE-WPNY/E | | | | Manual Test | | | | |
| EXITEDGE-WPNY | | | | AC Only | None | None | None | Manual Test |
| EXITEDGE-WPWSNY/E | Double Face | White | White | Battery Backup | 24 hours | 90 minutes | 3 years before the initial charge 5 years after initial charge | Self-Diagnostics |
| EXITEDGE-WPWNY/E | | | | Manual Test | | | | |
| EXITEDGE-WPWNY | | | | AC Only | None | None | None | Manual Test |

TECHNICAL SPECIFICATIONS

CONSTRUCTION

Product Type

New York City Compliant Edge-lit Exit Sign

Shape

Rectangle

Housing Material

Aluminum

Panel Material

Acrylic

Panel Color

White, clear, mirror

Letter Color

Red

Housing Color

White, aluminum

Number of Faces

Single face, double face

Arrow Direction

None

Sign Format

Edge-lit

Remote Capacity

No

ELECTRICAL

Input Voltage

Dual 120/277 Voltage

Operating Frequency

60Hz

Operating Temperature

32°F to 122°F (0°C to 50°C)

Power Factor

≥0.9

Emergency Illumination*

90 minutes

Battery Backup*

Battery Backup

Battery Type*

Nickel Cadmium

Battery Voltage*

4.8V

Recharge Time Required*

24 hours

Storage Temperature

68°F to 86°F (20°C to 30°C)

Storage Shelf Life*

3 years before the initial charge. 5 years after initial charge.

Self Diagnostics

Self Diagnostics, manual test

*Select models

TECHNICAL SPECIFICATIONS (CONT.)

INSTALLATION

Mounting Method

Back/Top/End

Mounting Type

Wall/Ceiling Mount

Cold Weather Rated

No

COMPLIANCE

Safety Listing

UL924 Listed, NFPA 101 (current Life Safety Code), NEC and OSHA illumination standards

Environment

Suitable for indoor use in dry and damp environments.

IP Rating

Indoor

T20 Compliant

Can be used to conform with the requirements of California Title 20.

California Title 24 JA8 Compliant

Not Applicable

California Energy Commission (CEC) Status

Lawful for Sales in California

City Compliance

New York City Approved

FCC

Complies with Part 15 of the FCC Rules.

OTHER

Warranty

RAB warrants that our LED products will be free from defects in materials and workmanship for a period of five (5) years from the date of delivery to the end user, including coverage of light output, color stability, driver performance and fixture finish.

RAB's warranty is subject to all terms and conditions found at rablighting.com/warranty.

Battery is prorated.

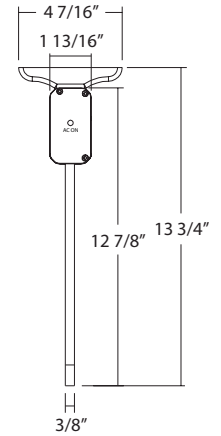
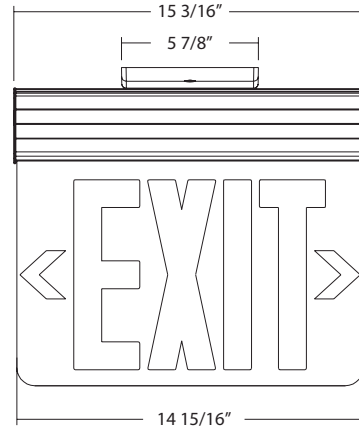
Note

All values are typical (tolerance +/- 10%)

DIMENSIONS

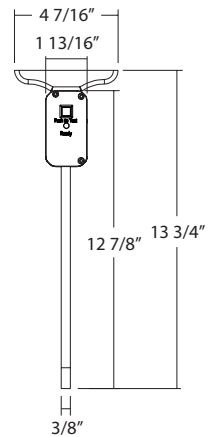
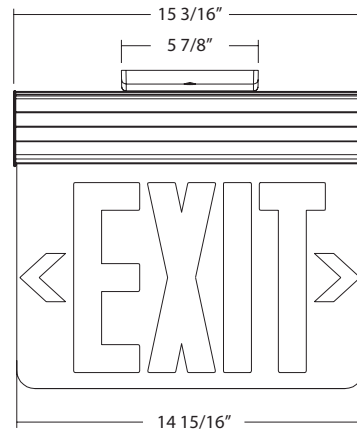
EXITEDGE

Weight: 3.4 lbs



EXITEDGE with battery backup

Weight: 3.4 lbs



ORDERING MATRIX

| Family | Face | Exit Sign Letter Color | Panel | Housing | Arrows | Self Diagnostics | State | Battery Backup | | | | | | | | |
|----------|-------|------------------------|-------|--------------|--------|------------------|-------|------------------|-------|----------|-------|----------------|----|-----|-------|------|
| EXITEDGE | Blank | Universal Faces | Blank | Red | Blank | Clear | Blank | Aluminum | Blank | No Arrow | Blank | None | NY | New | Blank | None |
| | 1 | 1 Face | MP | Mirror Panel | W | White | S | Self Diagnostics | NY | New York | /E | Battery Backup | | | | |
| | | | WP | White Panel | | | | | | | | | | | | |