

# Exit Signs



EXIT

EXITOUT



EXIT-Chicago Approved



EXIT-NYC Approved

PROJECT: \_\_\_\_\_

DATE: \_\_\_\_\_

TYPE: \_\_\_\_\_

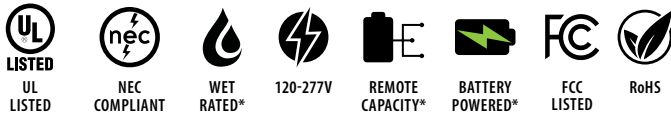
PREPARED BY: \_\_\_\_\_



## KEY FEATURES

- Single or Double-face panel with red or green letters
- Durable thermoplastic or steel sheet housing
- Options with 90 and 120 minutes of emergency illumination
- Select models compliant with California Title 20
- Mounting options for wall/ceiling surface mount or recessed ceiling mount
- Some approved for use in the city of Chicago and New York City

## Exit Signs



\*Select models

## PERFORMANCE

Catalog Number	# of Faces	Housing Material	Letter Color	Arrow Direction	Battery Backup	Remote Capacity	IP Rating	City Compliance
EXIT-GR	Universal Single/ Double Face	Thermoplastic	Green	No Arrow	90 minutes	Yes	Indoor	N/A
EXIT-R	Universal Single/ Double Face	Thermoplastic	Red	No Arrow	90 minutes	Yes	Indoor	N/A
EXIT-1CH	Single Face	Steel Sheet	Red	No Arrow	None	No	Indoor	Chicago
EXIT-1CH/E	Single Face	Steel Sheet	Red	No Arrow	120 minutes	No	Indoor	Chicago
EXIT-1DACH	Single Face	Steel Sheet	Red	Double Arrow	None	No	Indoor	Chicago
EXIT-1DACH/E	Single Face	Steel Sheet	Red	Double Arrow	120 minutes	No	Indoor	Chicago
EXIT-1LACH	Single Face	Steel Sheet	Red	Left Arrow	None	No	Indoor	Chicago
EXIT-1LACH/E	Single Face	Steel Sheet	Red	Left Arrow	120 minutes	No	Indoor	Chicago
EXIT-1RACH	Single Face	Steel Sheet	Red	Right Arrow	None	No	Indoor	Chicago
EXIT-1RACH/E	Single Face	Steel Sheet	Red	Right Arrow	120 minutes	No	Indoor	Chicago
EXIT-CH	Universal Single/ Double Face	Steel Sheet	Red	No Arrow	None	No	Indoor	Chicago
EXIT-CH/E	Universal Single/ Double Face	Steel Sheet	Red	No Arrow	120 minutes	No	Indoor	Chicago
EXIT-DACH	Universal Single/ Double Face	Steel Sheet	Red	Double Arrow	None	No	Indoor	Chicago
EXIT-DACH/E	Universal Single/ Double Face	Steel Sheet	Red	Double Arrow	120 minutes	No	Indoor	Chicago
EXIT-LRACH	Universal Single/ Double Face	Steel Sheet	Red	Left & Right Arrow	None	No	Indoor	Chicago

## PERFORMANCE (CONT.)

Catalog Number	# of Faces	Housing Material	Letter Color	Arrow Direction	Battery Backup	Remote Capacity	IP Rating	City Compliance
EXIT-LRACH/E	Universal Single/ Double Face	Steel Sheet	Red	Left & Right Arrow	120 minutes	No	Indoor	Chicago
EXIT-NY	Universal Single/ Double Face	Steel Sheet	Red	No Arrow	None	No	Indoor	New York City
EXIT-NY/E	Universal Single/ Double Face	Steel Sheet	Red	No Arrow	90 minutes	No	Indoor	New York City
EXITOUT	Single Face	Thermoplastic	Red	No Arrow	None	No	Outdoor	N/A
EXITOUT-C	Single Face	Thermoplastic	Red	No Arrow	90 minutes	No	Outdoor	N/A
EXITOUT-G	Single Face	Thermoplastic	Green	No Arrow	None	No	Outdoor	N/A
EXITOUT-GC	Single Face	Thermoplastic	Green	No Arrow	90 minutes	No	Outdoor	N/A

## TECHNICAL SPECIFICATIONS

### CONSTRUCTION

**Product Type**

Exit sign

**Shape**

Rectangle

**Housing Material**

Thermoplastic, steel sheet

**Panel Material**

Thermoplastic, steel sheet, glass

**Panel Color**

White

**Letter Color**

Red, green

**Housing Color**

White

**Number of Faces**

Single face, universal single/double face

**Arrow Direction**

Various

**Arrow Material**

Plastic, screen print, steel

**Sign Format**

Panel, stencil

**Remote Capacity**

Yes\*

**Number of Heads**

None

### INSTALLATION

**Mounting Method**

Back/Top/End

**Mounting Type**

Wall/Ceiling Mount

**Cold Weather Rated**

No

### ELECTRICAL

**Input Voltage**

120-277V

**Operating Frequency**

60Hz

**Operating Temperature**

32°F to 104°F (0°C to 40°C)

32°F to 122°F (0°C to 50°C) - Chicago

-4°F to 122°F (-20°C to 50°C) - Outdoor

68°F to 86°F (20°C to 30°C) - NYC

**Emergency Illumination**

90 minutes\*

**Battery Backup**

Yes\*

**Battery Type**

Nickel Cadmium

**Battery Voltage**

3.6V (NYC), 4.8V (Chicago), 9.6V

**Recharge Time Required**

24 hours\*

**Storage Temperature**

68°F to 86°F (20°C to 30°C)

**Storage Shelf Life**

3 years before the initial charge. 5 years after initial charge.\*

**Self Diagnostics**

No

\*Select models

## TECHNICAL SPECIFICATIONS (CONT.)

### COMPLIANCE

#### Listings

UL924 Listed, NFPA 101 (*current Life Safety Code*), NEC and OSHA illumination standards

#### Environment

Suitable for indoor or outdoor\* use in dry, damp, and wet\* environments.

#### IP Rating

Indoor, outdoor

#### T20 Compliant

Can be used to conform with the requirements of California Title 20.

#### California Title 24 JA8 Compliant

No

#### California Energy Commission (CEC) Status

Lawful for Sales in California

#### FCC

Complies with Part 15 of the FCC Rules.

### OTHER

#### Warranty

RAB warrants that our LED products will be free from defects in materials and workmanship for a period of five (5) years from the date of delivery to the end user, including coverage of light output, color stability, driver performance and fixture finish.

RAB's warranty is subject to all terms and conditions found at [rablighting.com/warranty](http://rablighting.com/warranty).

Battery is prorated.

#### Note

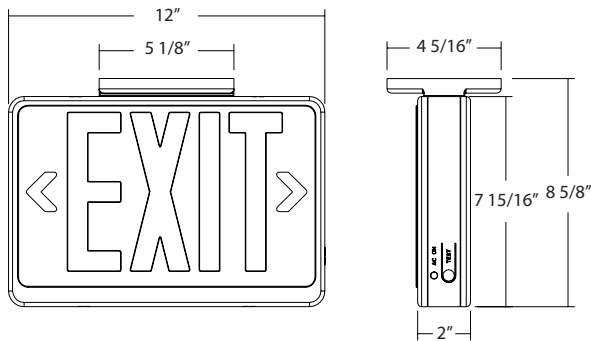
All values are typical (tolerance +/- 10%)

\*Select models

## DIMENSIONS

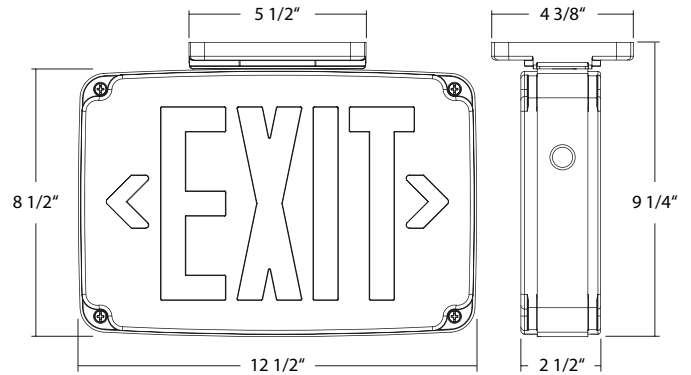
### EXIT

Weight: 3.6 lbs



### EXITOUT

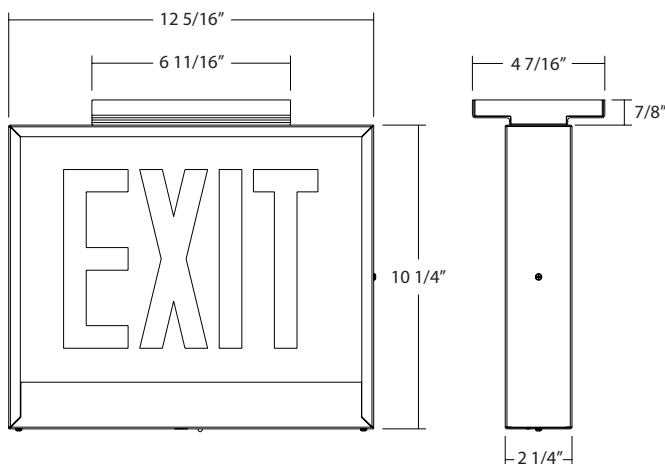
Weight: 2.95 lbs



### EXIT-Chicago Approved

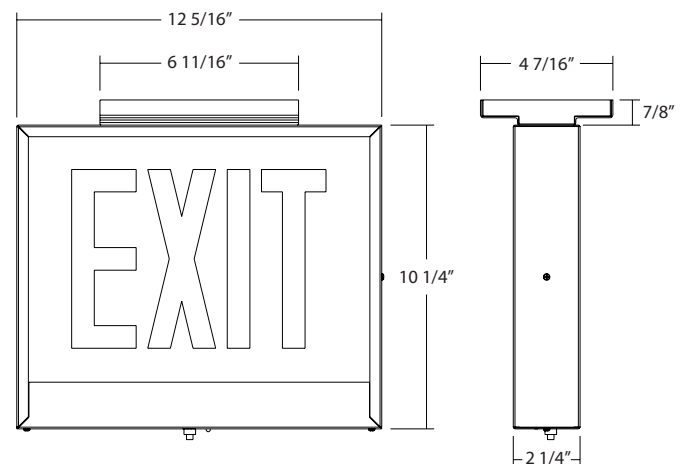
#### No arrow

Weight: 4.91 lbs



#### No arrow with battery backup

Weight: 4.91 lbs



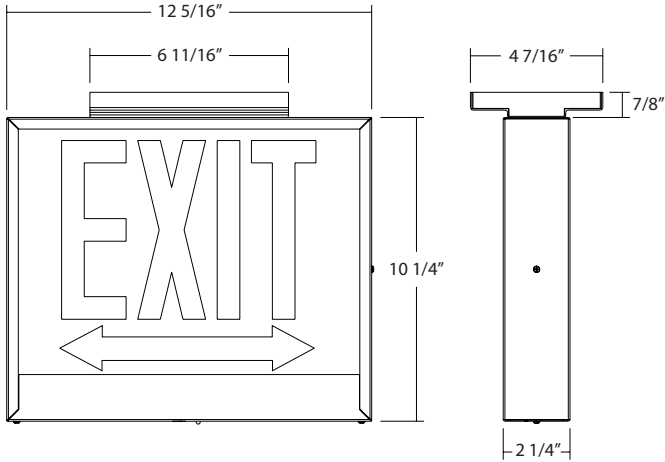
# Exit Signs

## DIMENSIONS (CONT.)

EXIT-Chicago Approved

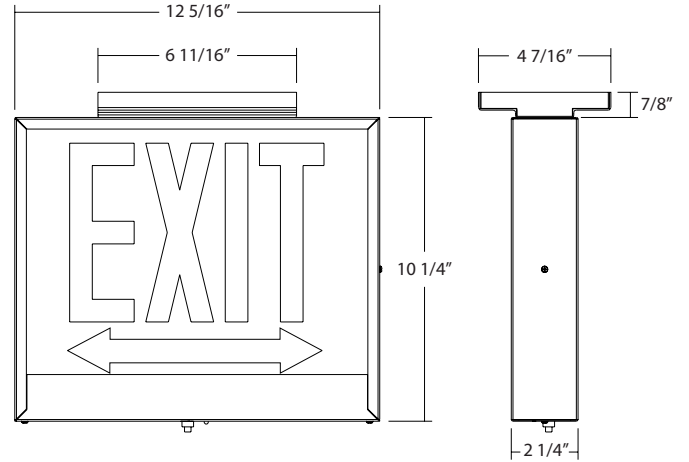
Left/right arrow, double arrow

Weight: 4.91 lbs



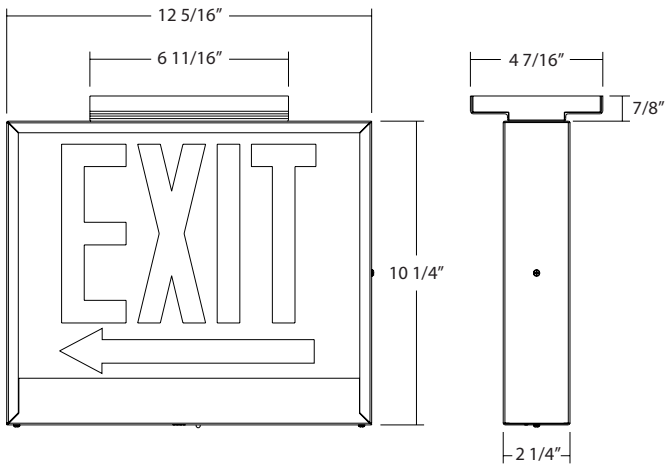
Left/right arrow, double arrow with battery backup

Weight: 4.91 lbs



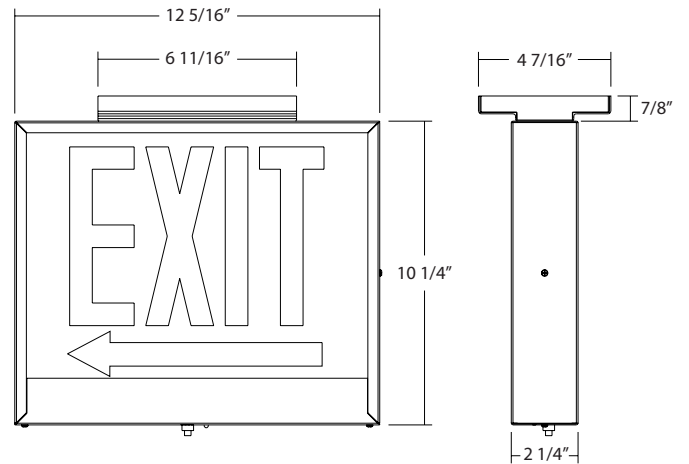
Left arrow

Weight: 4.91 lbs



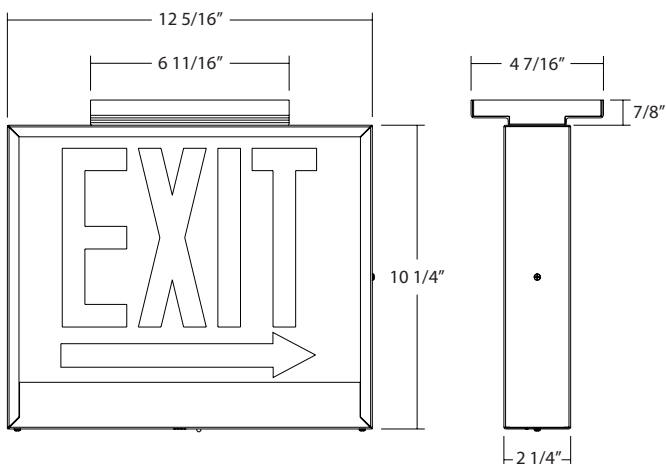
Left arrow with battery backup

Weight: 4.91 lbs



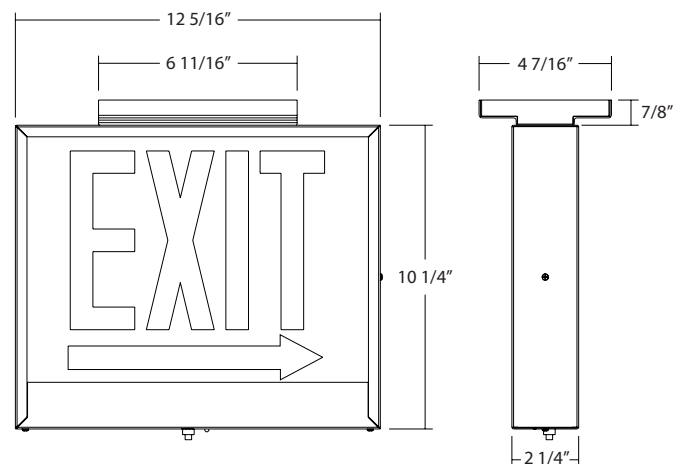
Right arrow

Weight: 4.91 lbs



Right arrow with battery backup

Weight: 4.91 lbs



## DIMENSIONS (CONT.)

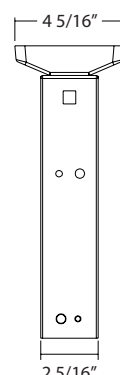
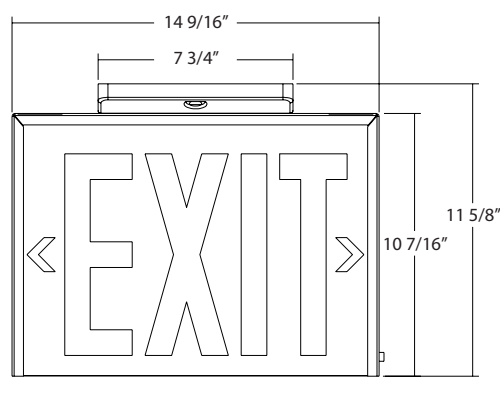
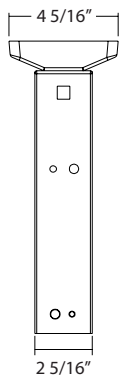
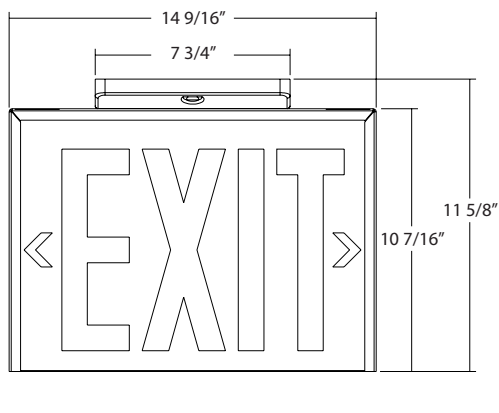
EXIT-NYC Approved

EXIT-NY

Weight: 5.38 lbs

EXIT-NY/E

Weight: 5.38 lbs



## ACCESSORIES

Emergency Remote Test Switch



Catalog Number	UPC	Description
EREMOTE-RTS	192552021944	Emergency remote test button switch

## ORDERING INFO

Catalog Number	Certification Model Number	UPC	Case Pack
EXIT-R	LEDCXTEU2RW-NH	192552020244	6
EXIT-GR	LEDCXTEU2GW-NH	192552020244	6
EXIT-NY/E	NYXTEU3RWEM	192552019859	4
EXIT-1DACH/E	CAXTEU1RWEM-DA	192552021142	4
EXIT-1RACH/E	CAXTEU1RWEM-RA	192552021159	4
EXIT-1LACH/E	CAXTEU1RWEM-LA	192552021166	4
EXIT-1CH	CAXTEU1RW-NA	192552021173	4
EXIT-1DACH	CAXTEU1RW-DA	192552021180	4
EXIT-1RACH	CAXTEU1RW-RA	192552021197	4

## ORDERING INFO (CONT.)

Catalog Number	Certification Model Number	UPC	Case Pack
EXIT-1LACH	CAXTEU1RW-LA	192552021203	4
EXIT-CH/E	CAXTEU2RWEM-NA	192552021210	4
EXIT-DACH/E	CAXTEU2RWEM-DA	192552021227	4
EXIT-LRACH/E	CAXTEU2RWEM-LARA	192552021234	4
EXIT-CH	CAXTEU2RW-NA	192552021241	4
EXIT-DACH	CAXTEU2RW-DA	192552021258	4
EXIT-LRACH	CAXTEU2RW-LARA	192552021265	4
EXIT-NY	NYXTEU3RW	192552019866	4
EXIT-1CH/E	CAXTEU1RWEM-NA	192552021135	4
EXITOUT-C	WLEZXTEU1RWEM-CW	192552020213	6
EXITOUT	WLEZXTEU1RW	192552020220	6
EXITOUT-GC	WLEZXTEU1GWEM-CW	192552020237	6
EXITOUT-G	WLEZXTEU1GW	192552020244	6

## ORDERING MATRIX

Family	Face	Exit Sign Letter Color	Arrows	Housing	State	Battery Backup	Remote Capability						
EXIT													
	Blank 1	Universal 1	Blank G	Red Green	Blank DA LA RA LRA	No Arrow Double Arrow Left Arrow Right Arrow Left & Right Arrow	Blank White	Blank Standard CH NY	Blank Chicago New York	Blank /E	No Battery Backup	Blank R	No Remote Capable

Family	Face	Exit Sign Letter Color	Panel	Housing	Cold Weather			
EXITOUT								
	Blank	1	Blank G	Red Green	Blank White	Blank White	Blank C	Wet Location Rated Cold Weather

Note:  
 New York-compliant exit signs only available with universal face, in red, with no arrows, no remote capability  
 Chicago-compliant approves exit signs not available with remote capability