

EXITEDGE Exit Sign



EXITEDGE-1W/E



EXITEDGE-MP/E



EXITEDGE-GMPW/E



EXITEDGE-GMP/E

PROJECT: _____

DATE: _____

TYPE: _____

PREPARED BY: _____



KEY FEATURES

- Universal mounting and double-face with interchangeable red/green color letters
- Injection-molded, engineering grade, 5VA flame retardant, high-impact resistant, thermoplastic in white housing finish
- AC only , or 90 minutes of battery backup & compatible with remote heads
- Maximum 24 hours for full recharge time
- Remote output power 2W at 3.6VDC. Supports up to two (2) single or one (1) double 3.6VDC remote heads
- Meets UL924, NFPA 101 Life Safety Code, NEC, OSHA, local and state codes. Compliant with California Title 20
- Ultra-economy exit signs available field installed red or green letters and battery backup.

Aluminum Edge-Lit Exit Sign



PERFORMANCE

Catalog Number	Housing Finish	Lens Panel	Face Configuration	Lettering	Input Voltage	Wattage	Battery Voltage	Input Current @120V (A)	Input Current @277V (A)
EXITEDGE-1/E	Brushed Aluminum	Clear	Single face	Red	120/277 Dual Voltage	3.5	3.6V	0.027	0.013A
EXITEDGE-1G/E	Brushed Aluminum			Green					
EXITEDGE-1W/E	White Housing			Red					
EXITEDGE-1GW/E	White Housing			Green					
EXITEDGE-MP/E	Brushed Aluminum	Mirror	Double face	Red					
EXITEDGE-GMP/E	Brushed Aluminum			Green					
EXITEDGE-MPW/E	White Housing			Red					
EXITEDGE-GMPW/E	White Housing			Green					
EXITEDGE-WP/E	Brushed Aluminum	White		Red					
EXITEDGE-WPW/E	White Housing			Red					

TECHNICAL SPECIFICATIONS

CONSTRUCTION

Product Type

Aluminum edge-lit exit sign

Housing Material

Aluminum housing with high grade acrylic panel

Housing Finish

Brushed aluminum or white

Panel Material

Clear, mirror or white panel

Face Configuration

Red or Green Lettering - Letters 6" height with 3/4" stroke

Lettering

Single or double face versions available

Arrow Configuration

Field-installable, removable chevron directional indicators for all configurations

Illumination Source

Long-life LEDs provide diffuse illumination of exit face

Remote Capable

No

INSTALLATION

Mounting

Innovative mounting installs in minutes with aluminum mounting plate

Application

Supports surface mounting on ceiling, end, and wall.

ELECTRICAL

Operating Frequency

50/60 Hz

Operating Temperature

32°F to 104°F (0°C to 40°C)

Power Factor

0.8

EMERGENCY CHARACTERISTICS

Battery Backup

Yes

Emergency Illumination

Minimum 90 minutes emergency operation

Battery

Built-in 3.6V 1000mAh NI-MH battery

Recharge Time

Maximum 24 hours for full recharge time

Battery Operating Temperature

32°C to 104°C (0°F to 40°F)

Testing Method

Integrated test switch & charge indicator

COMPLIANCE

Listings

UL Listed, UL924 Compliant

Environment

Suitable for use indoors in dry and damp environments

IP Rating

IP20

Illumination standard

NEC and OSHA illumination standards

California Title 20 Compliant

Yes

California Energy Commission (CEC) Status

Lawful for sales in California

RoHS

Mercury and UV free. RoHS-compliant components

FCC

Complies with Part 15 of the FCC Rules

OTHER

Warranty

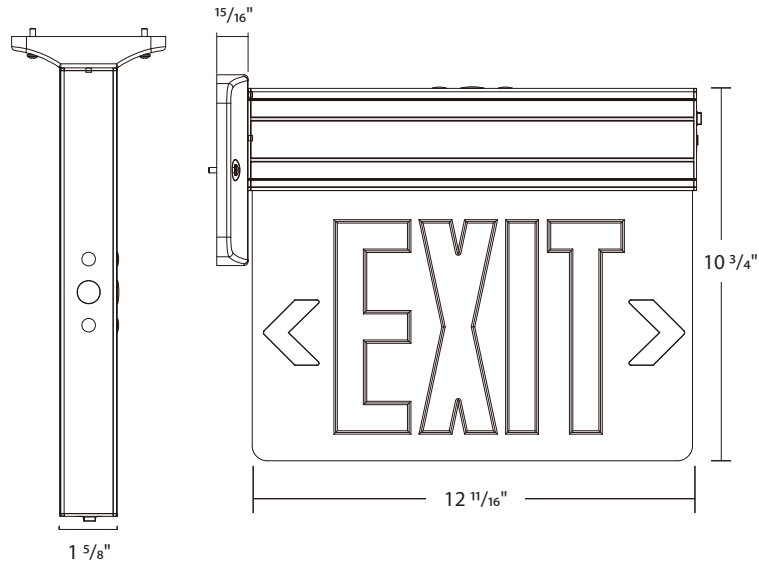
RAB warrants that our LED products will be free from defects in materials and workmanship for a period of three (3) years from the date of delivery to the end user, including coverage of light output, color stability, driver performance and fixture finish. RAB's warranty is subject to all terms and conditions found at rablighting.com/warranty.

EXITEDGE Exit Sign



DIMENSIONS

EXITEDGE
Weight: 4.4 lbs



ORDERING INFO

Catalog Number	UPC	Case Pack
EXITEDGE-1/E	192552019835	4
EXITEDGE-1G/E	192552020428	4
EXITEDGE-1W/E	192552020275	4
EXITEDGE-1GW/E	192552020459	4
EXITEDGE-MP/E	192552020602	4
EXITEDGE-GMP/E	192552020725	4
EXITEDGE-MPW/E	192552020633	4
EXITEDGE-GMPW/E	192552020756	4
EXITEDGE-WP/E	192552020664	4
EXITEDGE-WPW/E	192552020695	4

ORDERING MATRIX

Family	Number of Sides	Lettering Color	Panel Color	Housing Color	Battery Backup
EXITEDGE	1	Blank	Blank	Blank	/E
	Blank	G	MP	W	
	Single-Side with Removable Left/Right Arrows	Red Lettering Green Lettering	Clear Panel Mirror Panel White Panel	Brushed Aluminum White	Battery Backup
	Double-Sided with Removable Left/Right Arrows				