

Field-Adjustable Shoebox



80W

110W

CCT-Adjustable, UL Type B



PROJECT:

DATE:

TYPE:

PREPARED BY:



KEY FEATURES

- Replaces traditional metal halide or high pressure sodium HID lamp
- **Adjustable CCT** allows for in-field customization
- **Integral driver** enables lamp to be wired directly to line voltage without need for an external driver or ballast locations
- Rated for use in enclosed fixtures in **dry or damp** locations
- **AUX port** for integrating individual, lamp-level controls.
- **5-Year, No-Compromise Warranty**

PERFORMANCE

Catalog Number	Equivalency	Input Wattage	Lumens (Nominal)	Efficacy lm/W	Color Temperature	CRI	L70 Lifespan
HIDFA-80-H-EX39-8CCT-BYP/5SP	250W Metal Halide	80W	12,000 Lm	150 Lm/W	Field-adjustable via dip switch 3000K/4000K/5000K	80+	50,000 hr
HIDFA-110-H-EX39-8CCT-BYP/5SP	400W Metal Halide	110W	16,500 Lm	150 Lm/W			

Catalog Number	Wattage	CCT	Lumens	Efficacy	Equivalency Wattage
HIDFA-80-H-EX39-8CCT-BYP/5SP	80W	3000K	11,200 Lm	140 Lm/W	250W Metal Halide
		4000K	12,000 Lm	150 Lm/W	
		5000K	11,600 Lm	145 Lm/W	

Catalog Number	Wattage	CCT	Lumens	Efficacy	Equivalency Wattage
HIDFA-110-H-EX39-8CCT-BYP/5SP	110W	3000K	15,400 Lm	140 Lm/W	400W Metal Halide
		4000K	16,500 Lm	150 Lm/W	
		5000K	15,950 Lm	145 Lm/W	

TECHNICAL SPECIFICATIONS (CONT.)

CONSTRUCTION

Product Type HID Replacement	Lens Color Clear
Bulb Shape Shoebox	Base Type EX39 Exclusionary Mogul
Endcap Material Metal	Beam Angle 180°
Enclosure Material Polycarbonate	
Finish White	

INSTALLATION

Installation Method UL Type B, Ballast Bypass
Installation Orientation Horizontal

COMPLIANCE

Safety Listing UL Listed, UL Classified
Environment Suitable for use in dry and damp environments.
Fixture Rating Suitable for use in enclosed fixtures
IP Rating IP64
Energy Star Approved No. There is no product category on Energy Star for this lamp to qualify under.
DLC This product is on the Design Lights Consortium (DLC) Qualified Products List and is eligible for rebates from DLC Member Utilities. Designed to meet DLC 5.1 requirements.
T20 Compliant Not Applicable
California Title 24 JA8 Compliant Not Applicable
California Energy Commission (CEC) Status Lawful for Sales in California
FCC Complies with Part 15 of the FCC Rules.
RoHS Mercury and UV free. RoHS-compliant components.

ELECTRICAL

Dimmable Yes by adding a Lightcloud Blue 5-Pin Controller/Sensor for wireless control.
Input Voltage 100-277V
Operating Frequency 50-60Hz
Operating Temperature -22°F to 140°F (-30°C to 60°C)
THD ≤20%
Power Factor ≥0.9
Flicker <30%
Surge Protection 4 kV

LED CHARACTERISTICS

Color Temperature Field-adjustable via dip switch 3000K/4000K/5000K
Color Accuracy (CRI) ≥80
R9 Value High color performance with R9 no greater than 0
Color Consistency <6-step MacAdam Ellipse binning to achieve consistent fixture-to-fixture color
Color Stability LED color temperature is warranted to shift no more than 200K in color temperature over a 5-year period
Color Uniformity RAB's range of Correlated Color Temperature follows the guidelines of the American National Standard for Specifications for the Chromaticity of Solid State Lighting (SSL) Products, ANSI C78.377-2017.

OTHER

Warranty RAB warrants that our LED products will be free from defects in materials and workmanship for a period of five (5) years from the date of delivery to the end user, including coverage of light output, color stability, driver performance and fixture finish. RAB's warranty is subject to all terms and conditions found at rablighting.com/warranty
Buy American Act Compliance RAB values USA manufacturing! Upon request, RAB may be able to manufacture this product to be compliant with the Buy American Act (BAA). Please contact customer service to request a quote for the product to be made BAA compliant.

Note
All values are typical (tolerance +/- 10%)

Field-Adjustable Shoebox



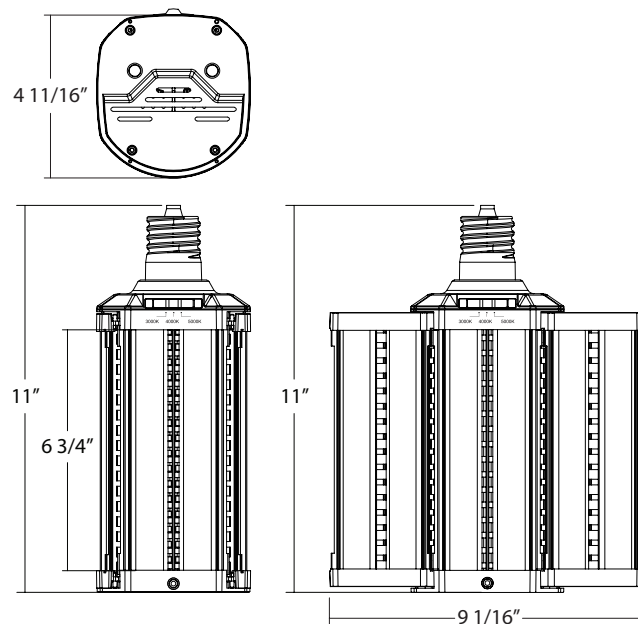
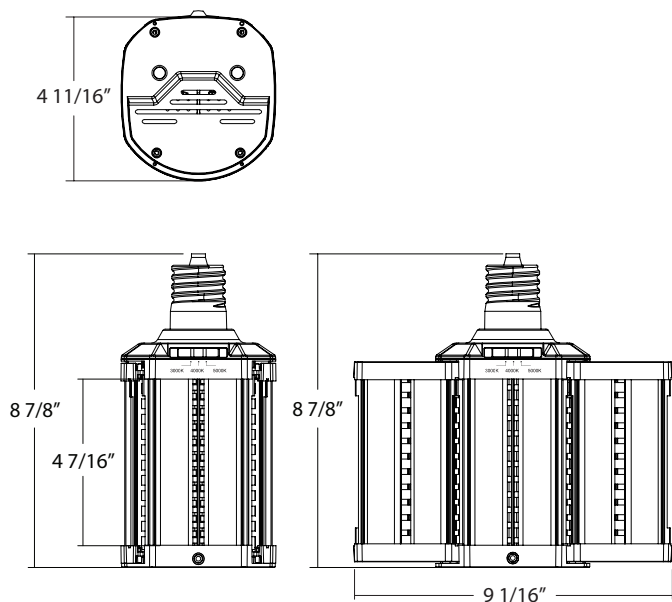
DIMENSIONS

Shoebox 80W

Weight: 3.05 lbs

Shoebox 110W

Weight: 4.25 lbs



ACCESSORIES (SOLD SEPARATELY)

3-Pin sensors



SMW-S / MW-S



DAYLIGHT-S



SPIR-S / PIR-S

Catalog Number	UPC	Description
SMW-S	019813834818	Microwave sensor without daylight photocell built in.
MW-S	019813833064	Microwave sensor with daylight photocell built in.
DAYLIGHT-S	019813834832	Daylight sensor
SPIR-S	019813834825	Passive infrared sensor without daylight photocell built in.
PIR-S	019813833057	Passive infrared sensor with daylight photocell built in.

ACCESSORIES (SOLD SEPARATELY) CONT.

Lightcloud Blue 5-pin controllers/sensors



CONTROL/W/AUX/5SP/LCB



CONTROL/W/AUX/5SP/LCBS



CONTROL/W/AUX/5SP/LCBS/MVS

Catalog Number	UPC	Description
CONTROL/W/AUX/5SP/LCB	192552025591	Lightcloud Blue 5-Pin plug-in controller
CONTROL/W/AUX/5SP/LCBS	192552025607	Lightcloud Blue 5-Pin plug-in controller + Passive infrared sensor + Photocell sensor
CONTROL/W/AUX/5SP/LCBS/MVS	192552025614	Lightcloud Blue 5-Pin plug-in controller + Microwave sensor + Photocell sensor



Catalog Number	UPC	Description
XFMR200-480-277	019813833071	Transformer 200W 480V

Catalog Number	UPC	Description
SP10KV	019813749273	10 kV Surge protector

ORDERING INFO

Catalog Number	Model Number	UPC	Case Pack
HIDFA-80-H-EX39-8CCT-BYP/5SP	H20044(HIDFA-80-H-EX39-8CCT-BYP/5SP)	192552028691	6
HIDFA-110-H-EX39-8CCT-BYP/5SP	H20045(HIDFA-110-H-EX39-8CCT-BYP/5SP)	192552028707	6

ORDERING MATRIX

Family	Wattage	Orientation	Base Type	CRI/Color Temp	Installation Type	Sensor
HIDFA	- 80 80W 110 110W	- H Horizontal	- EX39 Exclusionary Mogul	- 8CCT 80 CRI; 5000K/4000K/3000K	- BYP Type B	/5SP 5-pin sensor port