

GLOW String Light



GLW

GLW/LCB



GLW/RGB

Dynamic color changing animations using Lightcloud Blue



* Select models

PROJECT: _____

DATE: _____

TYPE: _____

PREPARED BY: _____



KEY FEATURES

- 50 ft Decorative string with 24 clear glass S14-style bulbs
- Easy to extend for longer runs
- Simple plug-and-play installation, no wiring required
- Wet rated for indoor and outdoor use
- Ideal for patios, restaurants, events, and retail spaces

PERFORMANCE

Catalog Number	Length	Input Wattage	Lumens	Efficacy	Dim Type	Input Voltage	Max Run Length	Color Temperature
GLW	50 ft	24W	1,560 lm	65 lm/W	Non-Dimmable	120V	900 ft	2200K
GLW/LCB	50 ft	23W	610 lm	27 lm/W	Wireless using Lightcloud Blue	120-277V	150 ft	Default: 3000K Tunable White 1800 - 5000K*
GLW/RGB	50 ft	24W	528 lm	22 lm/W				Default: 3000K Tunable White 1800 - 3000K 16+ million colors*

*Using Lightcloud Blue which refers to the CCT tuning.

TECHNICAL SPECIFICATIONS

LIGHTCLOUD BLUE FEATURES*

Tunable White

Adjust the color temperature via the Lightcloud Blue mobile app and devices.

Direct Connect

Use the Lightcloud Blue mobile app to connect to your device(s) in minutes via Bluetooth Mesh; no Gateway or Hub required.

Mobile App Control

Use the Lightcloud Blue mobile app to configure features for On/Off Control, Dim Level, Color Temperature, Schedules, Scenes, SmartShift and more.

SmartShift

Automatically tunes the color and intensity of lights throughout the day, mimicking the sun's natural pattern.

Scalable

Start small and scale anytime. Lightcloud Blue makes it easy to add devices, controls, and features as your needs grow—no rewiring or complicated setup required.

Lightcloud Blue

Lightcloud Blue is a Bluetooth® Mesh lighting control system designed for fast setup and flexibility. Install quickly with no gateways, hubs, or additional control wiring. Start with a single device and easily scale to control entire buildings. Learn more at rablighting.com/lcb

DLC system - N1XMLOEATBA (Interior); NHCZ2BIA17L (Exterior)

Gateway Required

No

Communication Protocol

Bluetooth Mesh

Range

Indoor: Up to 60 feet between standard building materials; Up to 200 feet clear line of sight.

Outdoor: Up to 200 feet clear line of sight; Up to 120 feet around corners

Spacing Criteria

Lightcloud Blue devices should be placed within the specified range to communicate within the Bluetooth Mesh network. Building materials such as brick, concrete, and steel construction or heavy vegetation, bushes or trees may require additional Lightcloud Blue devices to extend around an obstruction

CONSTRUCTION

Product Type

Decorative String Light

Length

50 ft

Shape

24-clear glass S14-style bulbs

Max Run Length

GLW: 900 ft

GLW/LCB; GLW/RGB: 150 ft.

Enclosure Material

Glass

Finish

Black cord with clear S14-style bulbs

*Using Lightcloud Blue

ELECTRICAL

Dimmable

Yes, /LCB and /RGB models can dim wirelessly using Lightcloud Blue.

Driver

GLW: Constant Voltage 120V 60; 120V: 215mA

GLW/LCB: Constant Voltage, Class 2 120-277V 50/60; 120V: 210mA; 208V: 123mA; 240V: 107mA; 277V: 92mA

GLW/RGB: Constant Voltage, Class 2 120-277V 50/60; 120V: 220mA; 208V: 128mA; 240V: 111mA; 277V: 96mA

Input Voltage

120V; 120-277V

Operating Temperature

-4°F to 104°F (-20°C to 40°C)

LED CHARACTERISTICS

Beam Angle

120°

Color Temperature

GLW: 2200K

GLW/LCB: 1800-5000K, default: 3000K

GLW/RGB: 1800-3000K, default: 3000K

Color Tuning

GLW/RGB: 16+ million colors. Capable of dynamic color changing light show animations.

Color Accuracy (CRI)

>80

R9 Value

High color performance with R9 greater than 0

Color Consistency

<3-step MacAdam Ellipse binning to achieve consistent fixture-to-fixture color

COMPLIANCE

ETL Listed

This product has been tested by Intertek and found in compliance with accepted national standards.

Note: Only applies to standard GLW model

Environment

Suitable for use indoors and outdoors in dry, damp, or wet environments.

California Title 20 Compliant

No

California Title 24 JA8 Compliant

No

California Energy Commission (CEC) Status

Lawful for Sales in California

GLOW String Light



TECHNICAL SPECIFICATIONS *(cont'd)*

INSTALLATION

Mounting

Plugs into a standard 15A 125V duplex receptacle

Base Type

NEMA 1-15, 2-prong plug

Replaceable Bulbs

GLW - includes (2) replacement S14 bulbs

GLW/LCB and GLW/RGB do not offer replaceable bulbs.

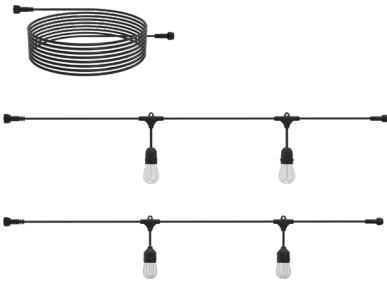
OTHER

Warranty

The RAB 3-year, limited warranty covers light output, driver performance and paint finish. RAB's warranty is subject to all terms and conditions found at rablighting.com/warranty.

ACCESSORIES

Extension Cables

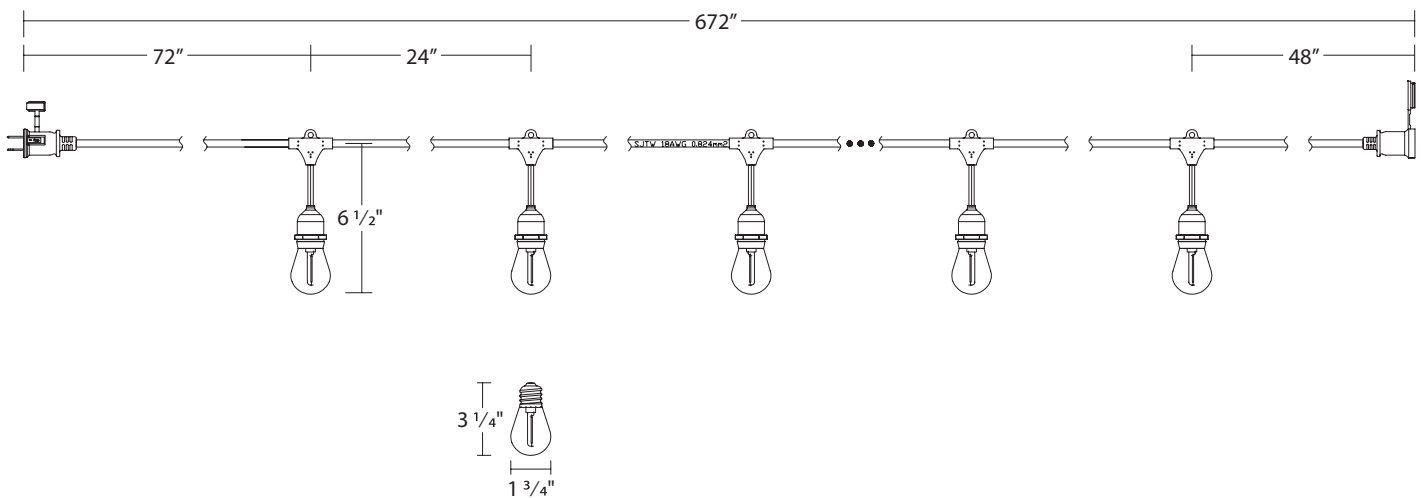


Catalog Number	UPC	Description
EXTCBL-GLW	192552055123	GLOW STRING EXTENSION WIRE PVC 10FT FOR 24V OUTPUT
EXT-GLW/LCB	192552055130	GLOW STRING EXTENSION WIRE 25FT W/ 12PCS TW S14
EXT-GLW/RGB	192552055147	GLOW STRING EXTENSION WIRE 25FT W/ 12PCS RGBW S14

Note: Only compatible with /LCB and /RGB models.

DIMENSIONS

GLW (24 Bulbs)

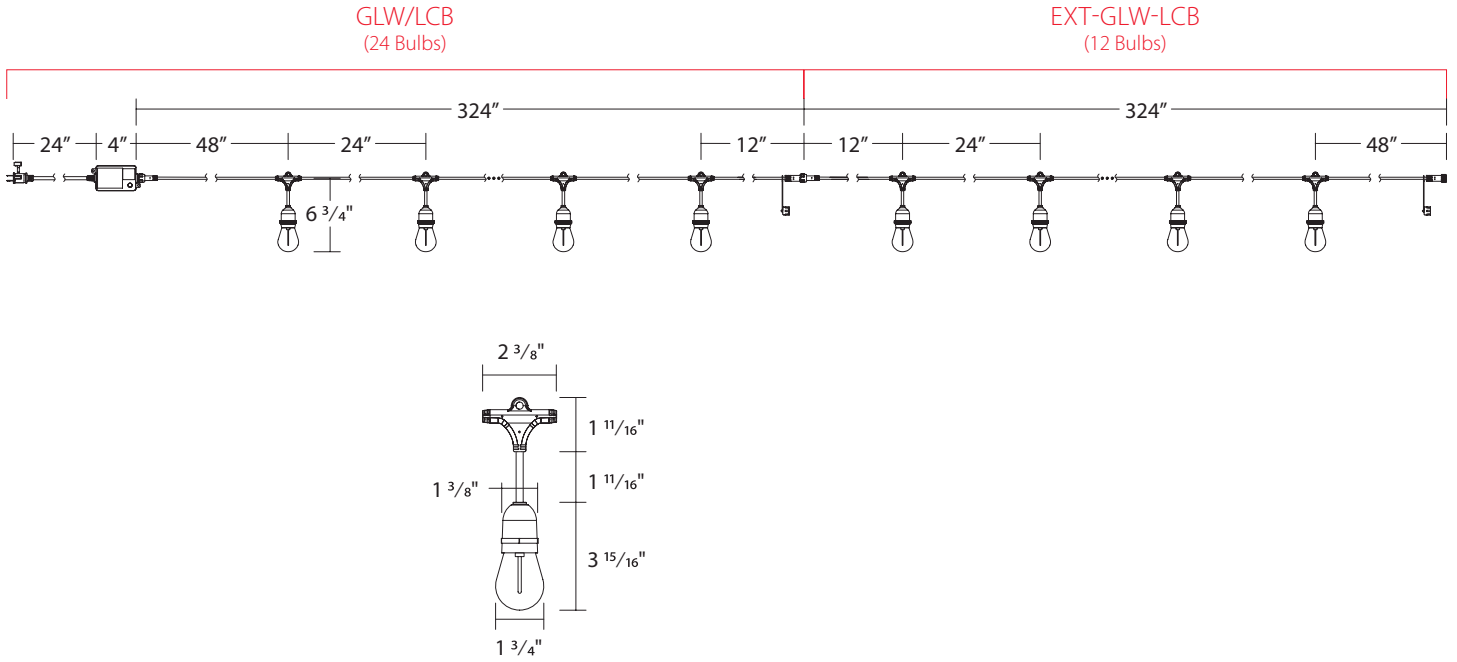


GLOW String Light

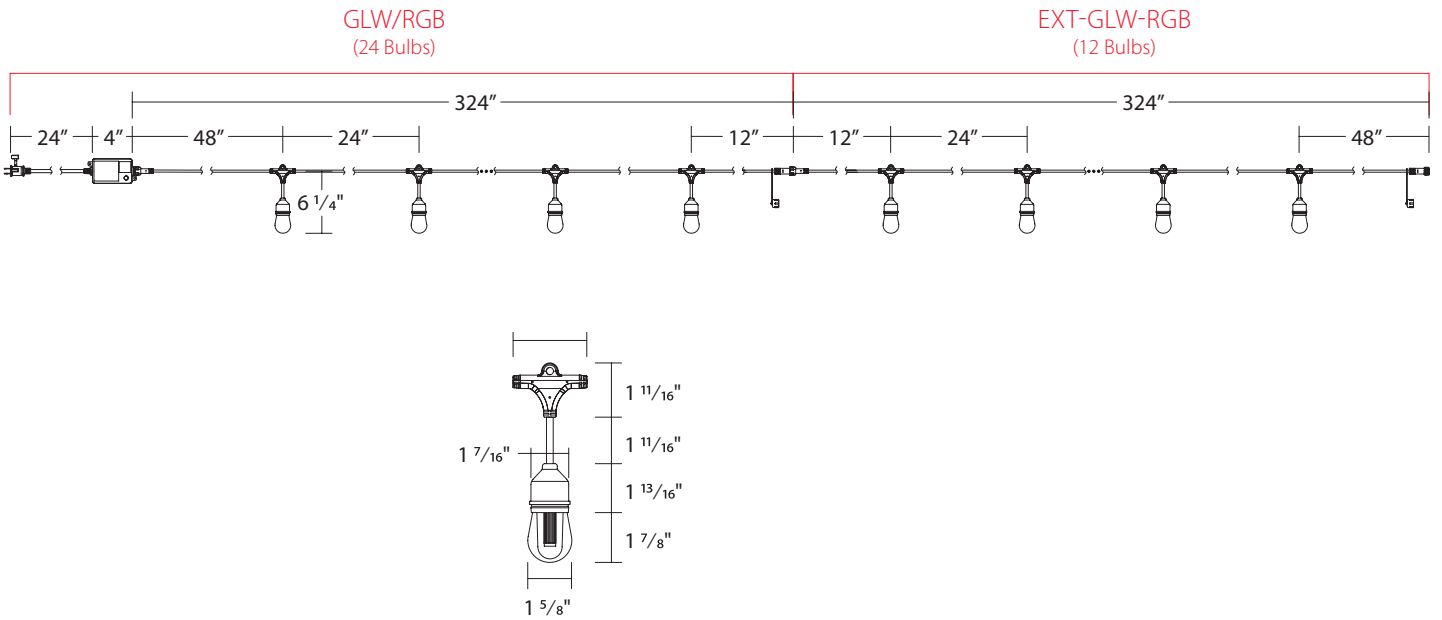


DIMENSIONS

GLW/LCB & EXT-GLW-LCB

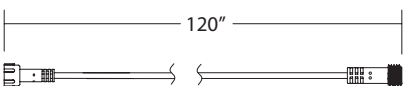


GLW/RGB & EXT-GLW-RGB



EXTCBL-GLW

(Compatible with /LCB or /RGB products)



GLOW String Light



ORDERING INFO

Catalog Number	Model Number	UPC	Case Pack
GLW	GLW	192552055093	4
GLW/LCB	GLW/LCB	192552055109	4
GLW/RGB	GLW/RGB	192552055116	4

ORDERING MATRIX

Family	Length	CRI/Color Temp	Driver	Finish	Controls
GLW	Blank 50 ft	Blank 80 CRI, 2200K	Blank 120V	Blank Black cord w/ glass bulbs	Blank None
GLW	Blank 50 ft	Blank 80 CRI, Tunable White*	Blank 120-277V	Blank Black cord w/ glass bulbs	/LCB Lightcloud Blue /RGB Lightcloud Blue, 16+ million colors

*LCB tunable white 1800-5000K,
/RGB tunable white 1800-3000K