

# HAZLED for Hazardous Locations



HAZLED30/HAZLED60



HAZLED80/HAZLED120



HAZLED Hazardous Locations Light



PROJECT: \_\_\_\_\_

DATE: \_\_\_\_\_

TYPE: \_\_\_\_\_

PREPARED BY: \_\_\_\_\_



## KEY FEATURES

- Available in following sized and wattages
  - Small: 30W and 60W
  - Medium: 80W and 120W
- Available CCT: 5000K
- Voltage rating 120-277V. 480V also offered in 120W models
- Optional surface/pendant mount, ceiling mount, wall mount and stanchion mount
- Designed to perform in the areas with hazardous vapor and gases
- Wire guards provided on all models
- 5-Year, no-compromise warranty
- Certified for use in:
  - Class I, Division 2, Groups A, B, C, D
  - Class II Division 1 (Groups E, F, G), Class II Division 2 (Groups F, G)
  - Class III

## TECHNICAL SPECIFICATIONS

### COMPLIANCE

#### Hazardous Location Classifications Class I Division 2 (Groups A, B, C, D):

**Class I:** A hazardous location in which flammable gases or vapors may be present in the air in sufficient quantities to be explosive or ignitable, such as petroleum refineries, aircraft hangars, dry cleaning plants, utility gas plants or storage areas for liquified petroleum or natural gas, and spray finishing areas.

**Division 2:** Abnormal condition, where ignitable concentrations of flammable gases, vapors or liquids are not like to exist under normal operating conditions, for example: Closed storage drums containing flammable liquids in an inside storage room would not normal allow the hazardous vapors to escape into the atmosphere. But if one of the containers is leaking, you've got an abnormal condition.

**Group A** - The only substance in group A is acetylene because it is a gas with extremely high explosion pressures.

**Group B** - This group includes hydrogen and other materials with similar characteristics.

**Group C & D** - The most usual Class 1 groups. They comprise the greatest percentage of all Class I hazardous locations. Found in Group C is ethylene. Found in Group D are many of the most common flammable substances such as butane, gasoline, natural gas and propane.

#### Class II Division 1 (Groups E, F, G):

Class II: Combustible dust may be present

### COMPLIANCE (CONTINUED)

**Division 1:** Ignitable concentrations of hazards exist under normal operation condition and /or where the hazard is caused by frequent maintenance or repair work or frequent equipment failure.

**E:** Combustible metal dusts: aluminum, commercial alloys and coke dusts

**F:** Combustible carbonaceous dusts: carbon black, charcoal, coal and coke dusts

**G:** Other combustible dusts: Chemicals, flour, grain, plastic and wood

#### Class II Division 2 (Groups F, G):

**Class II:** Combustible dust may be present

**Division 2:** Ignitable concentrations of hazards exist under abnormal operation conditions

**F:** Combustible carbonaceous dusts: carbon black, charcoal, coal and coke dusts

**G:** Other combustible dusts: Chemicals, flour, grain, plastic and wood

#### Class III:

Class III: Easily ignitable fibers or flyings may be present

#### UL 844:

Electric lighting fixtures for use in hazardous (classified) locations

#### UL 1598:

Electric lighting fixtures for use in non-hazardous locations

## TECHNICAL SPECIFICATIONS

### COMPLIANCE

#### UL Listed:

Suitable for wet locations

#### IESNA LM-79 & LM-80 Testing:

RAB LED luminaires and LED components have been tested by an independent laboratory in accordance with IESNA LM-79 and LM-80.

#### IP Rating:

Ingress protection rating of IP66 for dust and water

#### DLC Listed:

This product is on the Design Lights Consortium (DLC) Qualified Products List and is eligible for rebates from DLC Member Utilities. Designed to meet DLC 5.1 requirements.

MODEL#	PRODUCT ID
HAZLED30CF	S-LJKWB9
HAZLED80CF	S-QGQV2
HAZLED60CF	S-R03DJ3
HAZLED120CF	S-TNFL6X
HAZLED120CF/480	S-4GRFG4
HAZLED30CG	S-HV6WTH
HAZLED80CG	S-Z7CJ9N
HAZLED60CG	S-9VQMYC
HAZLED120CG	S-8V6GH6
HAZLED120CG/480	S-HMSMHX

### CONSTRUCTION

#### Cold Weather Starting:

The minimum starting temperature is  $T_a = -40^{\circ}\text{C}(-40^{\circ}\text{F})$

#### Maximum Ambient Temperature:

MODEL#	T CODE
HAZLED30CF	
HAZLED30CG	
HAZLED30FG	AMBIENT TEMP RANGE: $-40^{\circ}\text{C}(-40^{\circ}\text{F})$ to $40^{\circ}\text{C}(104^{\circ}\text{F})$ T CODE: T6
HAZLED60CF	AMBIENT TEMP RANGE: $-40^{\circ}\text{C}(-40^{\circ}\text{F})$ to $55^{\circ}\text{C}(131^{\circ}\text{F})$ T CODE: T5
HAZLED60CG	AMBIENT TEMP RANGE: $-40^{\circ}\text{C}(-40^{\circ}\text{F})$ to $60^{\circ}\text{C}(140^{\circ}\text{F})$ T CODE: T5
HAZLED60FG	
HAZLED60SCF	
HAZLED60SCG	
HAZLED80CF	AMBIENT TEMP RANGE: $-40^{\circ}\text{C}(-40^{\circ}\text{F})$ to $40^{\circ}\text{C}(104^{\circ}\text{F})$ T CODE: T6
HAZLED80CG	AMBIENT TEMP RANGE: $-40^{\circ}\text{C}(-40^{\circ}\text{F})$ to $55^{\circ}\text{C}(131^{\circ}\text{F})$ T CODE: T5
HAZLED80SCF	
HAZLED80SCG	

### CONSTRUCTION

#### Maximum Ambient Temperature: (Continued)

MODEL#	T CODE
HAZLED120CF	
HAZLED120CG	
HAZLED120FG	
HAZLED120SCF	AMBIENT TEMP RANGE: $-40^{\circ}\text{C}(-40^{\circ}\text{F})$ to $60^{\circ}\text{C}(140^{\circ}\text{F})$ T CODE: T5
HAZLED120SCG	
HAZLED120CF/480	
HAZLED120CG/480	
HAZLED120FG/480	
HAZLED80FG	AMBIENT TEMP RANGE: $-40^{\circ}\text{C}(-40^{\circ}\text{F})$ to $40^{\circ}\text{C}(104^{\circ}\text{F})$ T CODE: T5 AMBIENT TEMP RANGE: $-40^{\circ}\text{C}(-40^{\circ}\text{F})$ to $55^{\circ}\text{C}(131^{\circ}\text{F})$ T CODE: T4A

#### Housing:

Die-cast aluminum

#### Mounting:

Surface and pendant mount. Remove yoke for pendant mount.

#### Lens/Globes:

Clear flat glass lens, frosted flat lens, clear globe & frosted globe

#### Gaskets:

High-temperature silicone

#### Green Technology:

Mercury and UV free. RoHS-compliant.

#### Finish:

Formulated for high durability and long-lasting color

### LED CHARACTERISTICS

#### LEDs

Long-life, high-efficacy, discrete, surface-mount LEDs

#### Color Consistency

7-step MacAdam Ellipse binning to achieve consistent fixture-to-fixture color

#### Color Uniformity

RAB's range of Correlated Color Temperature follows the guidelines of the American National Standard for Specifications for the Chromaticity of Solid State Lighting (SSL) Products, ANSI C78.377-2017.

## TECHNICAL SPECIFICATIONS

### ELECTRICAL

**Drivers:**

Constant Current, Class 2, 120-277V, 50/60 Hz

**HAZLED30:** 120V: 0.25A, 208V: 0.15A, 240V: 0.13A, 277V: 0.12A

**HAZLED60:** 120V: 0.48A, 208V: 0.29A, 240V: 0.25A, 277V: 0.22A

**HAZLED80:** 120V: 0.673A, 208V: 0.39A, 240V: 0.33A, 277V: 0.31A

**HAZLED120:** 120V: 1.01A, 208V: 0.58A, 240V: 0.50A, 277V: 0.45A

Constant Current, Class 2, 480V, 50/60 Hz

**HAZLED120/480:** 480V: 0.27A

**Dimming Driver:**

Driver includes dimming control wiring for 0-10V dimming systems.

Requires separate 0-10V DC dimming circuit. Dims down to 10%.

**THD:**

**HAZLED30:** 1.6% at 120V, 4.3% at 277V

**HAZLED60:** 3.8% at 120V, 6.3% at 277V

**HAZLED80:** 3.1% at 120V, 8.0% at 277V

**HAZLED120:** 4.6% at 120V, 10.0% at 277V

**HAZLED120/480:** 14.6% at 480V

**Power Factor:**

**HAZLED30:** 99.6% at 120V, 92.2% at 277V

**HAZLED60:** 99.8% at 120V, 91.9% at 277V

**HAZLED80:** 99.8% at 120V, 91.7% at 277V

**HAZLED120:** 99.8% at 120V, 96.3% at 277V

**HAZLED120/480:** 92.6% at 480V

**Surge Protection**

L-N: 4kV, L/N-PE: 6kV

Note: All values are typical (tolerance +/- 10%)

### OTHER

**Buy American Act Compliance:**

RAB values USA manufacturing! Upon request, RAB may be able to manufacture this product to be compliant with the BUY American Act (BAA). Please contact customer service to request a quote for the product to be made BAA compliant.

**Warranty**

The RAB 5-year, no-compromise warranty covers light output, color stability, driver performance, paint finish and labor. RAB's warranty is subject to all terms and conditions found at [rablighting.com/warranty](http://rablighting.com/warranty).

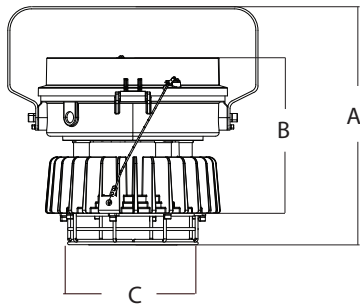
## ACCESSORIES

IMAGE	SKU#	UPC	DESCRIPTION	WEIGHT
	HAZLED-WG	192552035736	WIREGUARD FOR HAZLED 30W, 60W	0.88 lb
	HAZLED-WG2	192552035743	WIREGUARD HAZLED 80W, 120W	1.10 lbs

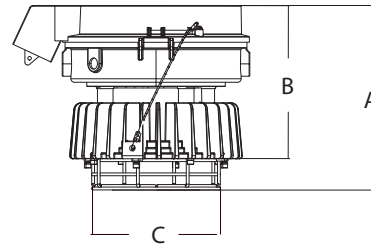
# HAZLED for Hazardous Locations



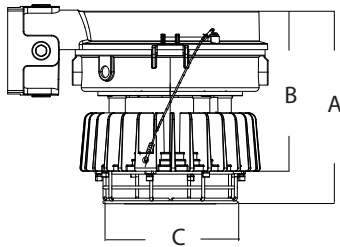
## DIMENSIONS



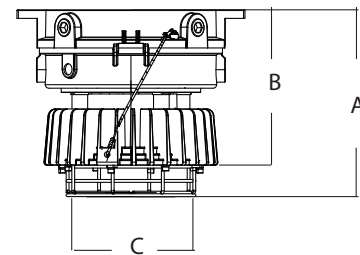
30W & 60W Surface & Pendant	A	B	C
Clear Flat Lens/ Frosted Flat Lens	13 1/8"	8 9/16"	10 3/8"
Clear Globe/Frosted Globe	13 1/4"	9 11/16"	10 3/8"



30W & 60W Stanchion	A	B	C
Clear Flat Lens/ Frosted Flat Lens	10 1/4"	8 1/2"	10 3/8"
Clear Globe/ Frosted Globe	10 1/2"	9 5/8"	10 3/8"



30W & 60W Wall Mount	A	B	C
Clear Flat Lens/ Frosted Flat Lens	10 1/4"	8 1/2"	10 3/8"
Clear Globe/Frosted Globe	10 3/8"	9 5/8"	10 3/8"



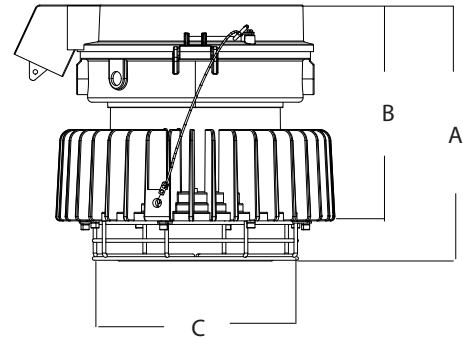
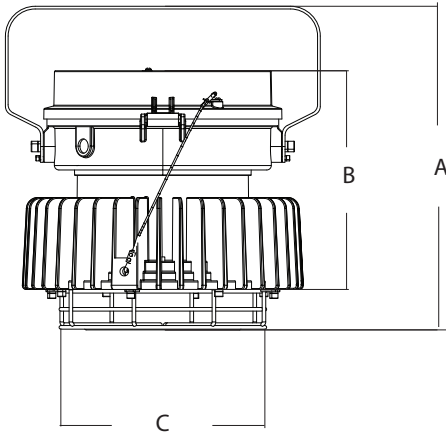
30W & 60W Ceiling	A	B	C
Clear Flat Lens/ Frosted Flat Lens	10 5/16"	8 9/16"	10 3/8"
Clear Globe/ Frosted Globe	10 7/16"	9 11/16"	10 3/8"

MODELS W/CEILING/PENDANT	WEIGHTS	MODELS W/CEILING/PENDANT	WEIGHTS
HAZLED-30W w/Flat lens	21.8 lbs	HAZLED-60W w/Flat lens	21.8 lbs
HAZLED-30W w/Globe	22.9 lbs	HAZLED-60W w/Globe	22.9 lbs
MODELS W/STANCHION	WEIGHTS		
HAZLED-60W w/Flat Lens	21.4 lbs		
HAZLED-60W w/Globe	21.6 lbs		

# HAZLED for Hazardous Locations

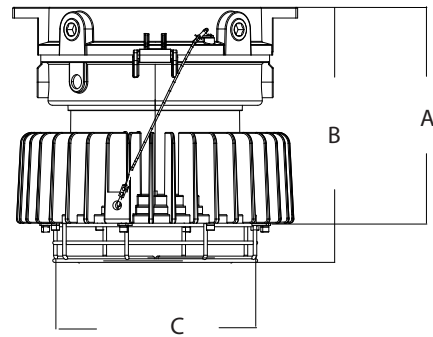
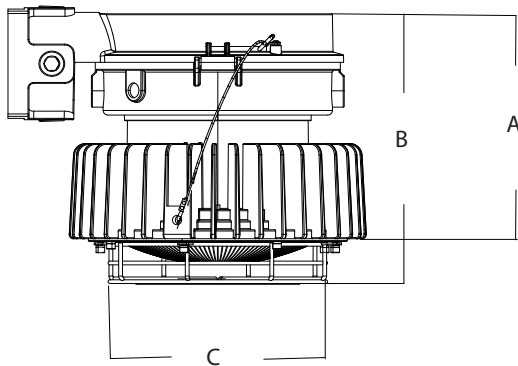


## DIMENSIONS



80W & 120W Surface & Pendant	A	B	C
Cleae Flat Lens/ Frosted Flat Lens	14 1/8"	9 9/16"	12 1/4"
Clear Globe/Frosted Globe	14 1/4"	10 11/16"	12 1/4"

80W & 120W Stanchion	A	B	C
Cleae Flat Lens/Frosted Flat Lens	11 1/4"	9 1/2"	12 1/4"
Clear Globe/Frosted Globe	11 7/8"	10 5/8"	12 1/4"



80W & 120W Wall Mount	A	B	C
Cleae Flat Lens/ Frosted Flat Lens	11 1/4"	8 1/2"	12 1/4"
Clear Globe/Frosted Globe	11 3/8"	9 5/8"	12 1/4"

80W & 120W Ceiling	A	B	C
Cleae Flat Lens/ Frosted Flat Lens	11 1/4"	9 9/16"	12 1/4"
Clear Globe/ Frosted Globe	11 3/8"	10 11/16"	12 1/4"

MODELS W/CEILING/PENDANT	WEIGHTS	MODELS W/CEILING/PENDANT	WEIGHTS
HAZLED-80 w/Flat lens	29.1 lbs	HAZLED-120W w/Flat lens	29.1 lbs
HAZLED-80 w/Globe	30.4 lbs	HAZLED-120W w/Globe	30.4 lbs
MODELS W/STANCHION	WEIGHTS	MODELS W/STANCHION	WEIGHTS
HAZLED-80W w/Flat lens	28.7 lbs	HAZLED-120W w/Flat lens	29.0 lbs
HAZLED-80W w/Globe	30.0 lbs	HAZLED-120W w/Globe	30.0 lbs

# HAZLED for Hazardous Locations



## PERFORMANCE

MODEL#	HAZLED30CF	HAZLED30FF	HAZLED30CG	HAZLED30FG
WATTAGE	30W			
INPUT WATTS	29.7W	29.5W	29.5W	29.5W
LUMENS	4,618	3,567	4,226	3,754
EFFICACY	155.5	120.9	143.3	127.3
CRI	80	81	80	79
VOLTAGE RATINGS	120-277V			

MODEL#	HAZLED60CF	HAZLED60FF	HAZLED60CG	HAZLED60FG
WATTAGE	60W			
INPUT WATTS	57.5W	57.7W	57.5W	57.6W
LUMENS	8,957	6,982	8,215	7,272
EFFICACY	155.8	121.0	142.9	126.3
CRI	80	81	80	79
VOLTAGE RATINGS	120-277V			

MODEL#	HAZLED80CF	HAZLED80FF	HAZLED80CG	HAZLED80FG
WATTAGE	80W			
INPUT WATTS	80.6W	80.6W	80.5W	80.5W
LUMENS	12,563	9,746	11,256	9,436
EFFICACY	155.9	120.9	139.8	117.2
CRI	80	81	80	79
VOLTAGE RATINGS	120-277V			

MODEL#	HAZLED120CF	HAZLED120FF	HAZLED120CG	HAZLED120FG
WATTAGE	120W			
INPUT WATTS	120.5W	120.3W	120.2W	120.1W
LUMENS	18,297	14,124	16,346	13,634
EFFICACY	151.8	117.4	136.0	113.5
CRI	80	80	80	79
VOLTAGE RATINGS	120-277V			

MODEL#	HAZLED120CF	HAZLED120FF	HAZLED120CG	HAZLED120FG
WATTAGE	120W			
INPUT WATTS	117.7W	117.7W	117.8W	117.7W
LUMENS	17,861	13,806	15,998	13,355
EFFICACY	151.8	117.3	135.8	113.5
CRI	80	78	80	78
VOLTAGE RATINGS	480V			

# HAZLED for Hazardous Locations



## ORDERING MATRIX

### HAZLED

Family	Wattage		Color Temp		Mount		Finish		Lens/Globe		Voltage
<b>HAZLED</b>											
30	30W	<b>BLANK</b>	5000K	<b>BLANK</b>	Surface/Pendant	<b>BLANK</b>	Gray	<b>CF</b>	Clear Flat lens	<b>BLANK</b>	120-277V, 0-10V Dimming
60	40W			<b>C</b>	Ceiling			<b>FF</b>	Frosted Flat Lens	<b>/480 *</b>	480V, 0-10V Dimming
80	80W			<b>S</b>	Stanchion			<b>CG</b>	Clear Globe		
120	120W			<b>WM</b>	Wall Mount			<b>FG</b>	Frosted Globe		

\* 480V for 120W model only