

Shallow, New Construction LED Housings



SNDCANIC4R



SNDCANIC6R

PROJECT: _____

DATE: _____

TYPE: _____

PREPARED BY: _____



KEY FEATURES

- Ultra-slim profile fits tight joist spaces for fast, low-profile installation
- IC rated for direct contact with insulation
- Quick Connector simplifies trim wiring — no tools, no guesswork
- Airtight in accordance to ASTM E283
- Compatible with 4" and 6" LED retrofit trims

Low-profile design for tight joist spaces.



NEW CONSTRUCTION



QUICK CONNECTOR



WET RATED



IC RATED



AIRTIGHT



VOLTAGE

PERFORMANCE

Catalog Number	Depth	Size	Product Type	Input Wattage	Base
SNDCANIC4R	3 1/2"	4"	New Construction	120/277V	Quick Connector
SNDCANIC6R	5 1/2"	6"	New Construction	120/277V	Quick Connector

TECHNICAL SPECIFICATIONS

CONSTRUCTION

Product Type

Shallow LED New Construction Housings

Size

4", 6"

Shape

Round

Housing

0.040 aluminum housing with riveted cap adjusts for ceiling thicknesses from 5/8" to 1-1/4"

Nailer Bars

Two 13-3/4" to 24-1/2" adjustable bar hangers with captive nails are included on frame. Hanger bars have T-Bar slot and alignment feet. Bar hangers are parallel to junction box, but can be repositioned 90° perpendicular to junction box if desired. "L" Shaped bar hanger foot to align to bottom of construction joist. A T-Bar notch allows easy installation in a suspended ceiling.

Junction Box

Prewired 25 cubic inch 0.064" thick galvanized steel box with seven 1/2" trade size knockouts and snap on covers. All leads are #18AWG wire, the ground wire is connected to the bottom, and quick connectors are supplied on all leads. Maximum of 8 no. 12 AWG through branch circuit conductors suitable for at least 90°C permitted in junction box.

Romex Strain Relief

Junction box includes two Romex tabs with two slots at each tab for NM-cables of 12/2 to 14/2. The strain relief allows for easy installation and less materials.

Shallow, New Construction LED Housings



TECHNICAL SPECIFICATIONS *(cont'd)*

COMPLIANCE

Listings

UL Listed, UL Recognized

Environment

Suitable for use indoors and outdoors in dry, damp, or wet environments.

IC Rated

Suitable for direct contact with insulation. Type IC inherently protected, suitable for direct contact to air permeable insulation and cULus listed for damp locations. Not for use in direct contact with spray foam insulation, consult NEMA LSD57-2013.

Air Tight

Housing certified Air Tight as per ASTM E283

California Title 24 JA8 Compliant

No

California Energy Commission (CEC) Status

Lawful for Sales in California

INSTALLATION

Mounting

Recessed

Base Type

Quick Connector

ELECTRICAL

Input Voltage

120/277V

OTHER

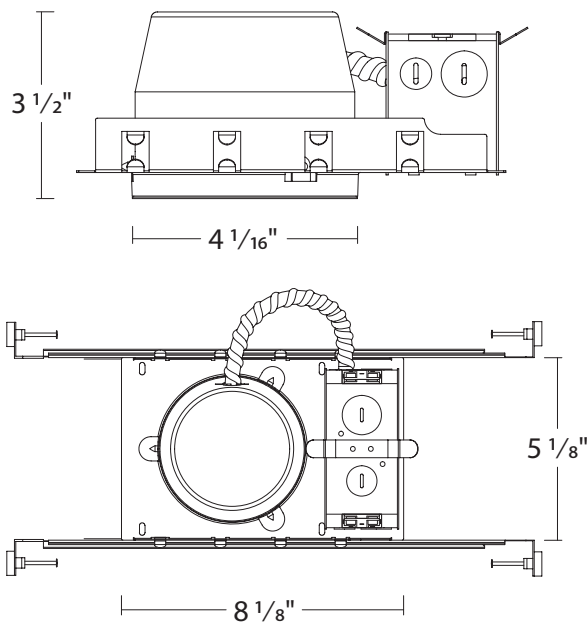
Warranty

The RAB 5-year, limited warranty covers light output, driver performance and paint finish. RAB's warranty is subject to all terms and conditions found at rablighting.com/warranty.

DIMENSIONS

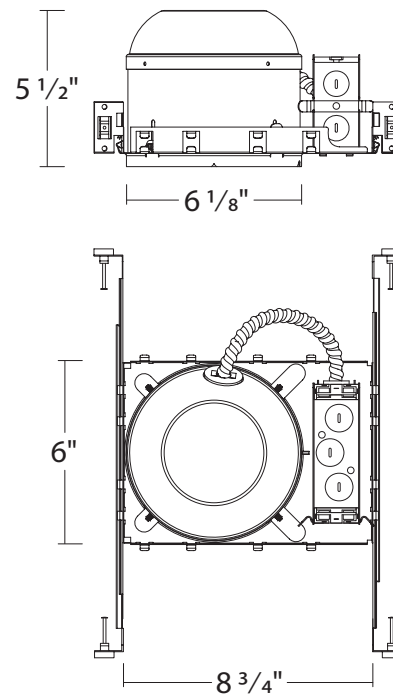
SNDCANIC4R

Weight: 1.56 lbs



SNDCANIC6R

Weight: 1.84 lbs



Shallow, New Construction LED Housings



ORDERING INFO

Catalog Number	UPC	Case Pack
SNDCANIC4R	192552057004	6
SNDCANIC6R	192552057011	6

ORDERING MATRIX

Family	Type	Voltage	Size	Shape	Connection Type
SND	Blank IC Rated	Blank 120/277V	4 6 4" 6"	R Round	Blank Quick Connector