

80CRI Dimmable PAR20/PAR30/PAR38



PROJECT: _____

DATE: _____

TYPE: _____

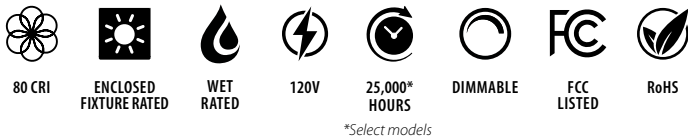
PREPARED BY: _____



KEY FEATURES

- Energy efficient replacement for incandescent and halogen PAR lamps
- Constructed from durable materials which lowers risk of breakage
- Rated for use in enclosed and open fixtures in wet locations
- Single optic and full face lens for precise beam angle control
- Longer lifespan compared to legacy equivalents minimizes replacement and maintenance costs
- 3-Year, No-Compromise Warranty

80CRI, Dimmable PAR20/PAR30/PAR38



PERFORMANCE

Catalog Number	Equivalency	Input Wattage	Lumens	Efficacy	Color Temperature	Beam Angle	Dimming	CRI	L70 Lifespan
PAR20-5-827-40D-DIM	50W Halogen	5W	500 Lm	100 Lm/W	2700K	40°	Yes, TRIAC/ELV	80+	15,000 hr
PAR20-5-830-40D-DIM					3000K				
PAR30L-8-827-40D-DIM	75W Halogen	8W	800 Lm	100 Lm/W	2700K	40°	Yes, TRIAC/ELV	80+	25,000 hr
PAR30L-8-830-40D-DIM					3000K				
PAR30L-8-840-40D-DIM					4000K				
PAR30S-8-827-40D-DIM	75W Halogen	8W	800 Lm	100 Lm/W	2700K	40°	Yes, TRIAC/ELV	80+	25,000 hr
PAR30S-8-830-40D-DIM					3000K				
PAR38-12.5-827-40D-DIM	120W Halogen	12.5W	1200 Lm	96 Lm/W	2700K	40°	Yes, TRIAC/ELV	80+	25,000 hr
PAR38-12.5-830-40D-DIM					3000K				
PAR38-12.5-840-40D-DIM					4000K				
PAR38-12.5-850-40D-DIM					5000K				
PAR38-12.5-830-25D-DIM	120W Halogen	12.5W	1200 Lm	96 Lm/W	3000K	25°	Yes, TRIAC/ELV	80+	25,000 hr

TECHNICAL SPECIFICATIONS

CONSTRUCTION

Product Type

PAR

Bulb Shape

PAR20, PAR30L, PAR30S, and PAR38

Enclosure Material

Plastic

Endcap Material

Nickel-Aluminum

Finish

White

Base Type

E26

Lens

Single optic and full face lens for precise beam angle control

COMPLIANCE

Safety Listing

UL Listed

Environment

Suitable for use in indoor and outdoor application in dry, damp, and wet environments

Fixture Rating

Suitable for enclosed fixtures

Energy Star Approved

This product is ENERGY STAR® Version 2.2 Certified.

RoHS

Mercury and UV free. RoHS-compliant components.

FCC

Complies with Part 15 of the FCC Rules

ELECTRICAL

Dimmable

Yes, TRIAC/ELV

See Dimmer Compatibility List

THD

<80%

Power Factor

>0.7

Input Voltage

120V

Operating Frequency

60Hz

Operating Temperature

-13°F to 113°F (-25°C to 45°C)

Flicker

< 50%

LED Characteristics

Color Accuracy (CRI)

> 80 CRI

R9 Value

High color performance with R9 greater than or equal to 0

Color Consistency

<6-step MacAdam Ellipse binning to achieve consistent fixture-to-fixture color

OTHER

Warranty

RAB warrants that our LED products will be free from defects in materials and workmanship for a period of three (3) years from the date of delivery to the end user, including coverage of light output, color stability, driver performance and fixture finish.

RAB's warranty is subject to all terms and conditions found at rablighting.com/warranty.

Note

All values are typical (tolerance +/- 10%)

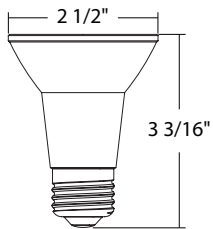
80CRI Dimmable PAR20/PAR30/PAR38



DIMENSIONS

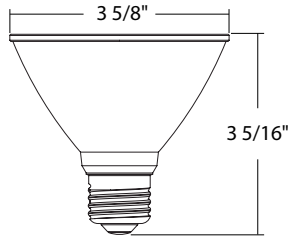
PAR20

Weight: 0.2 lb



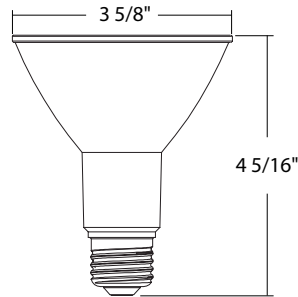
PAR30S

Weight: 0.5 lb



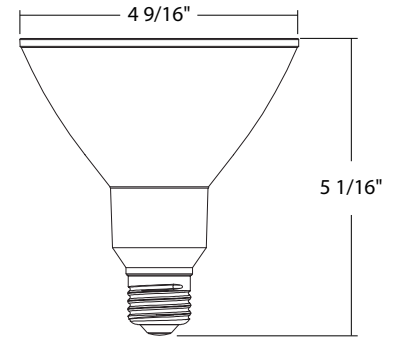
PAR30L

Weight: 0.4 lb



PAR38

Weight: 0.8 lb



ORDERING INFO

Catalog Number	Model Number (Energy Star)	UPC	Case Pack
PAR20-5-827-40D-DIM	P20001(PAR20-5-827-40D-DIM)	192552024341	12
PAR20-5-830-40D-DIM	P20002(PAR20-5-830-40D-DIM)	192552024358	12
PAR30L-8-827-40D-DIM	P20003(PAR30L-8-827-40D-DIM)	192552024365	12
PAR30L-8-830-40D-DIM	P20004(PAR30L-8-830-40D-DIM)	192552024372	12
PAR30L-8-840-40D-DIM	P20005(PAR30L-8-840-40D-DIM)	192552024389	12
PAR30S-8-827-40D-DIM	P20006(PAR30S-8-827-40D-DIM)	192552024396	12
PAR30S-8-830-40D-DIM	P20007(PAR30S-8-830-40D-DIM)	192552024402	12
PAR38-12.5-827-40D-DIM	P20008(PAR38-12.5-827-40D-DIM)	192552024419	6
PAR38-12.5-830-40D-DIM	P20009(PAR38-12.5-830-40D-DIM)	192552024426	6
PAR38-12.5-840-40D-DIM	P20010(PAR38-12.5-840-40D-DIM)	192552024433	6
PAR38-12.5-850-40D-DIM	P20011(PAR38-12.5-850-40D-DIM)	192552024440	6
PAR38-12.5-830-25D-DIM	P20012(PAR38-12.5-830-25D-DIM)	192552024457	6

ORDERING MATRIX

Family	Wattage		CRI/Color Temp		Beam Angle		Dimmable	
	-		-		-		-	DIM
PAR20	5	5W	850	80 CRI, 5000K	25D	25°	DIM	Dimmable
PAR30L	8	8W	840	80 CRI, 4000K	40D	40°		
PAR30S	12.5	12.5W	830	80 CRI, 3000K				
PAR38			827	80 CRI, 2700K				

Note:
 PAR20 only available in 5W and 2700K or 3000K
 PAR30L only available in 8W and 2700K, 3000K, and 4000K
 PAR30S only available in 8W and 2700K and 3000K
 PAR38 only available in 12.5W
 Only the PAR38 3000K is available with a 25° beam angle