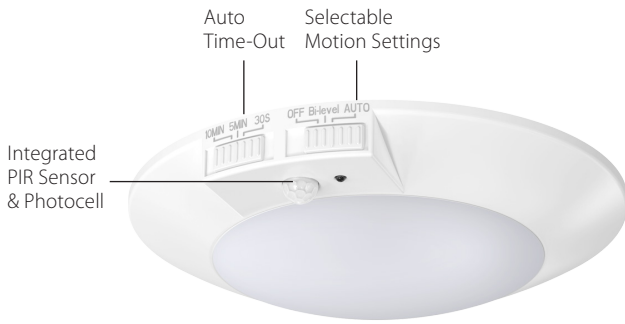


# DISK Surface Mount w/Adjustable Motion Sensor



Available in 4" and 6"

4" & 6" LED Disk Surface Mount, 5CCT  
Field Adjustable, Adjustable Motion Sensor  
& Time Out Settings



PROJECT:

DATE:

TYPE:

PREPARED BY:



## KEY FEATURES

- 5 selectable color temperatures (2700/3000/3500/4000/5000K)
- Integrated PIR sensor with adjustable motion modes and hold times
- Integrated dusk-to-dawn photocell
- Installs on standard junction boxes
- 50,000 hrs, Damp Rated, Energy Star, 5-year, No-Compromise Warranty

## PERFORMANCE

Catalog No.	Size	Trim Style	Wattage Equivalency	Input Wattage	Lumens (lm)	Efficacy (lm/W)	Input Voltage	Beam Angle	Color Temperature	CRI	L70 Lifespan	Environment	Energy Star ID
DISK-4/PIR	4"	Smooth	40W Incandescent	8W	700	88	120V	110°	2700/3000/3500/4000/5000K Field adjustable via dip switch	90	50,000 hrs	Dry/Damp	TBA
DISK-6/PIR	6"		60W Incandescent	12W	1050								

DISK-4/PIR	2700K	3000K	3500K	4000K	5000K
Input Wattage	7.72W	7.78W	7.90W	7.98W	7.70W
Lumens	722 lm	761 lm	795 lm	797 lm	761 lm
Efficacy	93.6 lm/W	97.8 lm/W	100.7 lm/W	99.9 lm/W	98.9 lm/W

DISK-6/PIR	2700K	3000K	3500K	4000K	5000K
Input Wattage	11.70W	11.80W	12.00W	12.00W	11.70W
Lumens	1058 lm	1111 lm	1165 lm	1159 lm	1119 lm
Efficacy	90.4 lm/W	94.2 lm/W	97.1 lm/W	96.6 lm/W	95.6 lm/W

## TECHNICAL SPECIFICATIONS

### CONSTRUCTION

**Product Type**

DISK surface mount with integrated motion sensor

**Size**

4", 6"

**Shape**

Round

**Trim Style**

Smooth

**Enclosure Material**

Steel heatsink with robust thermal performance Polyester UV resistant trim

**Finish**

Matte white, fade & Scratch resistant

**Lens Finish**

Polycarbonate light diffuser distributes light evenly and smoothly for general lighting applications

### INSTALLATION

**Mounting**

Surface mount + recessed keyhole mounting slots allow for quick installation to the junction box. Compatible with 3/0 & 4/0 J-Boxes.

### ELECTRICAL

**Dimmable**

No

**Driver**

Constant Current 120V 60 Hz; 120V: 75 mA

**Operating Temperature**

-40°F to 122°F (-40°C to 50°C)

**Power Factor**

≥0.9

**Flicker**

≤30%

**Beam Angle**

110°

### SENSOR SETTINGS

**Sensor Connection Type**

Integrated

**Max Mounting Height**

6 1/2 ft

**Detection Range**

13 ft diameter at 6 1/2 ft mounting height

**Sensor Technology**

Passive Infrared (PIR)

**Adjustable Sensor Settings**

Integrated dip switches to adjust Motion Modes and Hold Times

**Motion Modes**

**Auto (default):** Light OFF during the day, stays OFF at night, turns ON at 100% brightness when motion is detected and stays on until the specified hold time expires and the light turns OFF.

**Bi-Level:** Light OFF during the day, stays OFF at night, turns ON at 100% brightness when motion is detected and stays on until the specified hold time expires, light reduces to 50% brightness until the specified hold time expires and the light turns OFF.

**Off:** Motion detection is disabled.

**Hold Times**

30 seconds (default), 5 minutes, 10 minutes

**Photocell**

When the illuminance of natural light is lower than 65-75 lux, the light sensor will be turned off, and will trigger PIR sensor. When the natural light illuminance exceeds 75-85 lux, the light sensor will trigger and the fixture won't light up.

### LED CHARACTERISTICS

**Beam Angle**

110°

**Color Temperature**

Default 3000K

Field adjustable via dip switch (2700/3000/3500/4000/5000K)

**Color Accuracy (CRI)**

90

**R9 Value**

High color performance with R9 greater than 50

**Color Consistency**

<4-step MacAdam Ellipse binning to achieve consistent fixture-to-fixture color

**Color Stability**

LED color temperature is warranted to shift no more than 200K in color temperature over a 5-year period

**Color Uniformity**

RAB's range of Correlated Color Temperature follows the guidelines of the American National Standard for Specifications for the Chromaticity of Solid State Lighting (SSL) Products, ANSI C78.377-2017.

### COMPLIANCE

**Listings**

UL Listed

**Environment**

Suitable for use indoors in dry and damp environments

**Energy Star Approved**

This product is ENERGY STAR® Certified.

**California Title 24 JA8 Compliant**

Can be used to conform with the requirements of California Title 24 Part 6

**California Energy Commission (CEC) Status**

Lawful for Sales in California

**NEC Compliant**

Suitable for use in closets. Compliant with NEC Sec. 410.16 (A)(1) and 410.16 (C1).

**IESNA LM-79 & LM80 Testing**

RAB LED luminaires and LED components have been tested by an independent laboratory in accordance with IESNA LM-79 and LM-80

**RoHS**

Mercury and UV free. RoHS-compliant components

**FCC**

Complies with Part 15 of the FCC Rules

### WARRANTY

RAB warrants that our LED products will be free from defects in materials and workmanship for a period of five (5) years from the date of delivery to the end user, including coverage of light output, color stability, driver performance and fixture finish. RAB's warranty is subject to all terms and conditions found at [rablighting.com/warranty](http://rablighting.com/warranty).

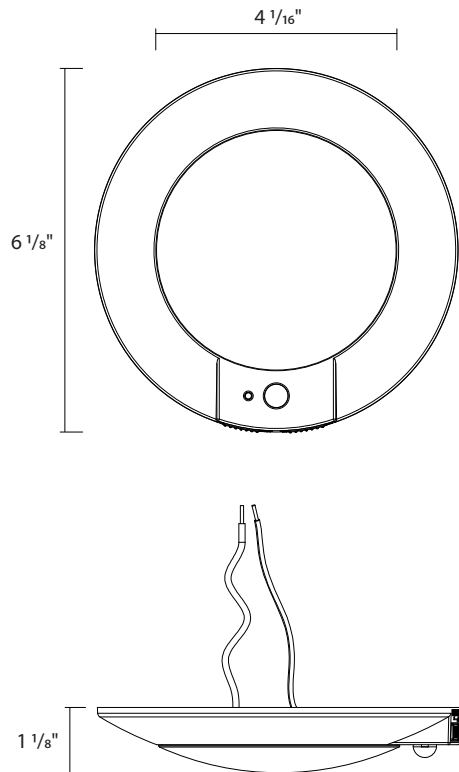
# DISK Surface Mount w/Adjustable Motion Sensor



## DIMENSIONS

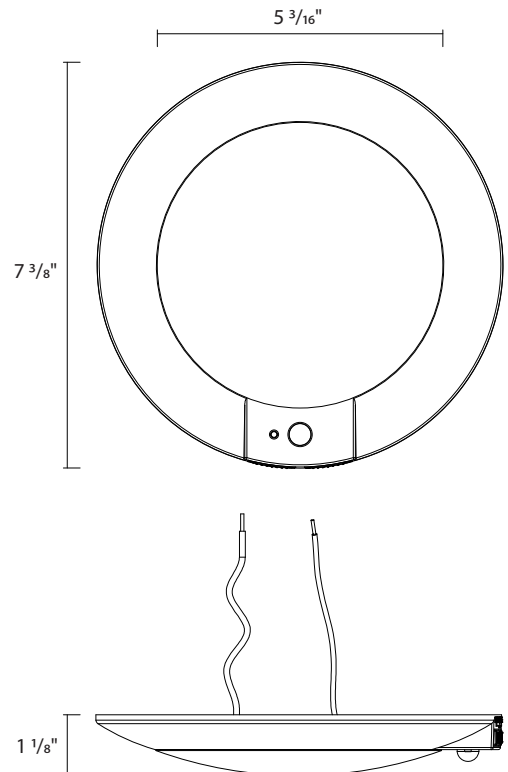
### DISK-4/PIR

Weight: 0.35 lbs



### DISK-6/PIR

Weight: 0.47 lbs



## ORDERING INFO

Catalog Number	Model Number	UPC	Case Pack
DISK-4/PIR	DLS0196(DISK-4/PIR)	192552053969	12
DISK-6/PIR	DLS0197(DISK-6/PIR)	192552053976	12

## ORDERING MATRIX

Family	Size/Wattage	Shape	CRI/Color Temp	Driver	Finish	Trim	Controls
DISK	4 6	Blank Round	Blank 90CRI, 2700/3000/3500/4000/5000K CCT Adjustable	Blank 120V	Blank White	Blank Smooth	/PIR Passive Infrared Occupancy Sensor + Photocell