

PL Hybrid Type A+B 4-Pin Omnidirectional



PROJECT: _____

DATE: _____

TYPE: _____

PREPARED BY: _____



4-Pin LED PLC Replacements, with Omnidirectional Light, Hybrid Type A + B



KEY FEATURES

- Omnidirectional light distribution
- Compatible with G24q / GX24q installations
- Suitable for horizontal or vertical installations
- Rated for use in enclosed fixtures in dry or damp locations
- Environmentally friendly, no mercury used
- 5-Year, No-Compromise Warranty

PERFORMANCE

Catalog Number	Equivalency	Input Wattage	Lumen	Efficacy	Base	CRI	Color Temperature	L70 Lifetime
PLC-7-O-827-HYB-G24Q	18W CFL	7W	800 Lm	114 Lm/W	G24q	80+	2700K	50,000 hr
PLC-7-O-830-HYB-G24Q			830 Lm	119 Lm/W			3000K	
PLC-7-O-835-HYB-G24Q			830 Lm	119 Lm/W			3500K	
PLC-7-O-840-HYB-G24Q			860 Lm	123 Lm/W			4000K	
PLC-9.5-O-827-HYB-G24Q	26W CFL	9.5W	1150 Lm	121 Lm/W	G24q	80+	2700K	
PLC-9.5-O-830-HYB-G24Q			1200 Lm	126 Lm/W			3000K	
PLC-9.5-O-835-HYB-G24Q			1250 Lm	132 Lm/W			3500K	
PLC-9.5-O-840-HYB-G24Q			1250 Lm	132 Lm/W			4000K	

TECHNICAL SPECIFICATIONS

CONSTRUCTION

Product Type
Compacts

Bulb Shape
PL

Enclosure Material
Polycarbonate

Endcap Material
Copper

Base Type
4-Pin G24q

Lens Finish
Frosted

Beam Angle
360°

COMPLIANCE

Safety Listing
UL Listed, UL Classified

Environment Rating
Suitable for use in dry and damp environments.

Fixture Rating
Suitable for use in enclosed fixtures

California Energy Commission (CEC) Status
Lawful for Sale in California

NSF Listed
Meets NSF/ANSI standards for use in Food Zone (non-contact), Splash, and Non-Food Zones. Tube guard required in open fixtures.

FCC
Complies with Part 15 of the FCC Rules.

RoHS
Mercury and UV free. RoHS-compliant components.

PL Hybrid Type A+B 4-Pin Omnidirectional



TECHNICAL SPECIFICATIONS

INSTALLATION

Installation Method
UL Type A+B

ELECTRICAL

THD

≤20%

Power Factor

≥0.9

Input Voltage

120-277V

Operating Frequency

50-60Hz

Operating Temperature

-4°F to 113°F (-20°C to 45°C)

Dimmable

Yes

Dimming Type

Type A: 0-10v dimming with a compatible dimmable ballast

Type B: Phase dimming with compatible dimmers

Visit rablighting.com for the ballast and dimmer compatibility lists

Flicker

0%

LED CHARACTERISTICS

Color Accuracy (CRI)

≥80

R9 Value

High color performance with R9 no less than 0

Color Consistency

<6-step MacAdam Ellipse binning to achieve consistent fixture-to-fixture color

Color Stability

LED color temperature is warranted to shift no more than 200K in color temperature over a 5-year period

OTHER

Buy American Act Compliance

RAB values USA manufacturing! Upon request, RAB may be able to manufacture this product to be compliant with the Buy American Act (BAA). Please contact customer service to request a quote for the product to be made BAA compliant.

Warranty

RAB warrants that our LED products will be free from defects in materials and workmanship for a period of five (5) years from the date of delivery to the end user, including coverage of light output, color stability, driver performance and fixture finish.

RAB's warranty is subject to all terms and conditions found at

rablighting.com/warranty

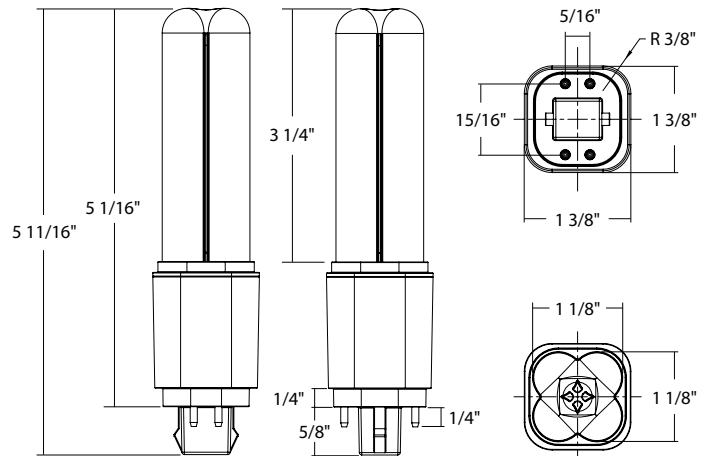
Note

All values are typical (tolerance +/- 10%)

DIMENSIONS

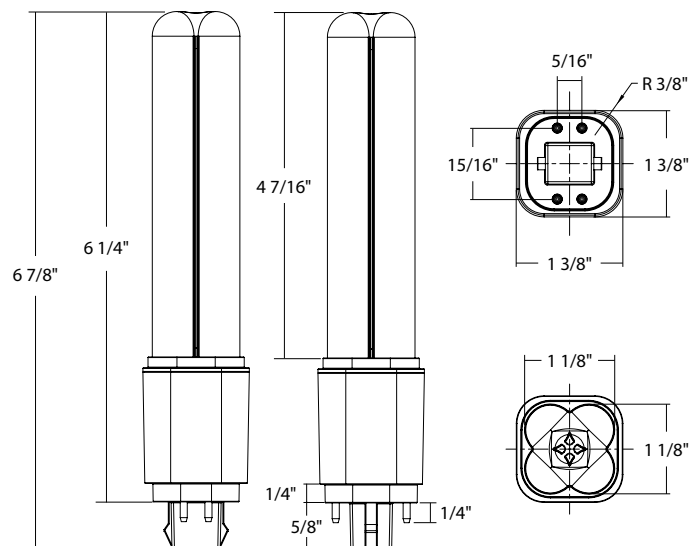
PLC: 7W

Weight: 0.19 lb



PLC: 9.5W

Weight: 0.24 lb



PL Hybrid Type A+B 4-Pin Omnidirectional



ORDERING INFO

Catalog Number	Model Number	UPC	Case Pack
PLC-7-O-827-HYB-G24Q	T10376(PLC-7-O-827-HYB-G24Q)	192552025294	12
PLC-7-O-830-HYB-G24Q	T10377(PLC-7-O-830-HYB-G24Q)	192552025300	12
PLC-7-O-835-HYB-G24Q	T10378(PLC-7-O-835-HYB-G24Q)	192552025317	12
PLC-7-O-840-HYB-G24Q	T10379(PLC-7-O-840-HYB-G24Q)	192552025324	12
PLC-9.5-O-827-HYB-G24Q	T10380(PLC-9.5-O-827-HYB-G24Q)	192552025331	12
PLC-9.5-O-830-HYB-G24Q	T10381(PLC-9.5-O-830-HYB-G24Q)	192552025348	12
PLC-9.5-O-835-HYB-G24Q	T10382(PLC-9.5-O-835-HYB-G24Q)	192552025355	12
PLC-9.5-O-840-HYB-G24Q	T10383(PLC-9.5-O-840-HYB-G24Q)	192552025362	12

ORDERING MATRIX

Family	Wattage	Type	CRI/Color Temp	Installation Type	Base Type
PLC	7* 9.5**	O Omnidirectional	840 835 830*** 827	HYB Hybrid - Type A+B	G24Q 4-pin G24q
	7W 9.5W		80 CRI, 4000K 80 CRI, 3500K 80 CRI, 3000K 80 CRI, 2700K		

*7W only available in 2700K, 4000K

**9.5W only available in 3500K, 4000K

***This is a non-stock item