

# PUCK34 Ultra-Slim Surface Mount



Sleek, low-profile with adjustable color temperature



PROJECT:

DATE:

TYPE:

PREPARED BY:



## KEY FEATURES

- Ultra Slim surface mount design with integrated driver recesses into junction box
- Polycarbonate trim with twist-lock design for easy installation and quick trim replacement
- Available trims in black, bronze, and silver sold separately
- Slim driver on board surface mount design
- Field selectable color temperatures: 2700/3000/3500K/4000/5000K at 90CRI
- Fits most 4" non-metallic boxes and 4/O metallic boxes simply using two screws

## PERFORMANCE

Catalog No.	Size	Trim Style	Wattage Equivalency	Input Wattage	Lumens (lm)	Efficacy (lm/W)	Dim Type	Input Voltage	Color Temperature	Environment
PUCK34	4"	Smooth	60W Incandescent	10W	824	83	TRIAC/ELV	120V	Default: 3000K Field adjustable via dip switch 2700/3000/3500/ 4000/5000K	Wet

Catalog Number	Wattage	Color Temperature (CCT)	Lumens (lm)	Efficacy (lm/W)
PUCK34	10W	2700K	784	80
		3000K	843	87
		3500K	875	90
		4000K	858	88
		5000K	829	84

## TECHNICAL SPECIFICATIONS

### CONSTRUCTION

**Product Type**

Slim Surface Mount Wafer

**Size**

4"

**Shape**

Flush Lens

**Lens**

Smooth

**Enclosure Material**

Metal + Plastic

**Finish**

White trim, color trim accessories sold separately

**Lens Finish**

Polycarbonate light diffuser distributes light evenly and smoothly for general lighting applications

### INSTALLATION

**Mounting**

Easy installation in metallic and non-metallic new construction junction boxes. Fixture mounts directly to J-box with two screw using keyhole slots.

### ELECTRICAL

**Dimmable**

Yes, dimmable down to 10% on compatible TRIAC/ELV dimming systems. See Dimmer Compatibility List.

**Driver**

Constant Current, Class 2 120V 60 Hz; 120V: 100 mA

**Input Voltage**

120V

**Operating Temperature**

-4°F to 104°F (-20°C to 40°C)

**Power Factor**

≥0.9

**Flicker**

≤30%

### LED CHARACTERISTICS

**Beam Angle**

110°

**Color Temperature**

Default: 3000K

Field adjustable via dip switch (2700/3000/3500/4000/5000K)

**Color Accuracy (CRI)**

90

**R9 Value**

High color performance with R9 greater than 50

**Color Consistency**

<4-step MacAdam Ellipse binning to achieve consistent fixture-to-fixture color

### COMPLIANCE

**Listings**

UL Listed

**Environment**

Suitable for direct contact with insulation.

Suitable for use indoors and outdoors in dry, damp, or wet environments.

**IC Rated**

Suitable for direct contact with insulation.

Type IC inherently protected, suitable for direct contact to air permeable insulation and cULus listed for damp locations. Not for use in direct contact with spray foam insulation, consult NEMA LSD57-2013.

**Air Tight**

Housing certified Air Tight as per ASTM E283

**Energy Star Approved**

This product is ENERGY STAR® Version 2.2 Certified

**California Title 20 Compliant**

No

**California Title 24 JA8 Compliant**

Can be used to conform with the requirements of California Title 24 Part 6

**California Energy Commission (CEC) Status**

Lawful for Sales in California

**NEC Compliant**

Suitable for use in closets. Compliant with NEC Sec. 410.16 (A)(1) and 410.16 (C1)

**IESNA LM-79 & LM80 Testing**

RAB LED luminaires and LED components have been tested by an independent laboratory in accordance with IESNA LM-79 and LM-80

**RoHS**

Mercury and UV free. RoHS-compliant components

**FCC**

Complies with Part 15 of the FCC Rules

### WARRANTY

The RAB 5-year, limited warranty covers light output, driver performance and paint finish. RAB's warranty is subject to all terms and conditions found at [rablighting.com/warranty](http://rablighting.com/warranty).

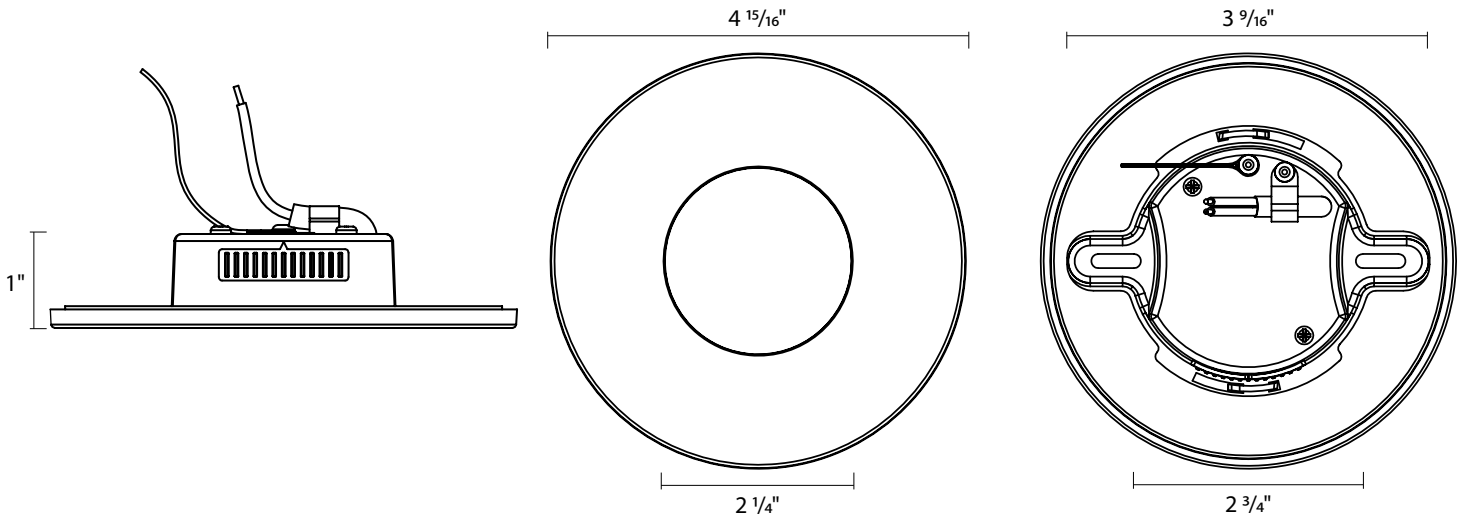
# PUCK34 Ultra-Slim Surface Mount



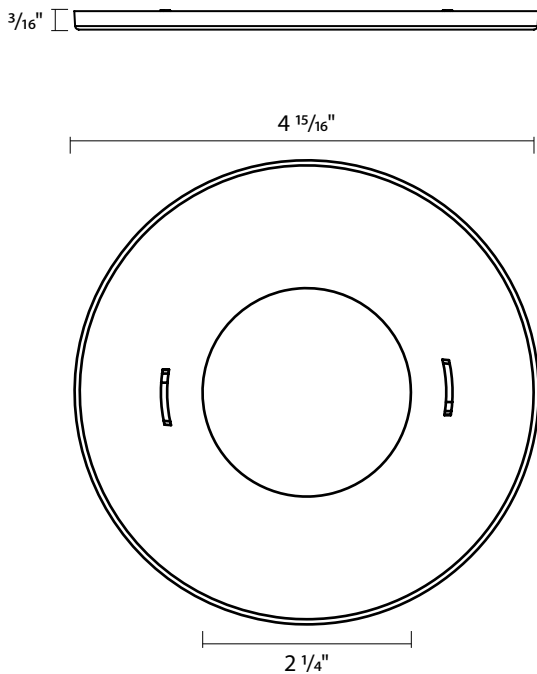
## DIMENSIONS

PUCK34

Weight: 0.26 lbs



## DIMENSIONS - TRIMS



## ACCESSORIES



Catalog Number	Description
PUCK34-TRIM-RD-B	4" PUCK34 round black trim
PUCK34-TRIM-RD-BZ	4" PUCK34 round bronze trim
PUCK34-TRIM-RD-SV	4" PUCK34 round silver trim

# PUCK34 Ultra-Slim Surface Mount



## ORDERING INFO

Catalog Number	Model Number	UPC	Case Pack
PUCK34	DLW1001(PUCK34)	192552056960	12
PUCK34-TRIM-RD-B	n/a	192552056977	25
PUCK34-TRIM-RD-BZ	n/a	192552056984	25
PUCK34-TRIM-RD-SV	n/a	192552056991	25

## ORDERING MATRIX

Family	Size/Wattage	Shape	CRI/Color Temperature	Driver	Finish	Trim
PUCK34	Blank 4", 10W	Blank Round	Blank 90 CRI, CCT-Adjustable 2700/3000/3500/4000/5000K	Blank 120V; TRIAC/ELV	Blank White	Blank Smooth