

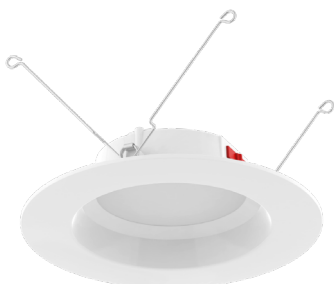
# R34 CCT-Adjustable Retrofit



4", Smooth



4", Baffle



6", Smooth



6", Baffle

PROJECT: \_\_\_\_\_

DATE: \_\_\_\_\_

TYPE: \_\_\_\_\_

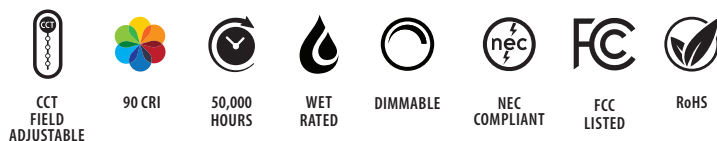
PREPARED BY: \_\_\_\_\_



## KEY FEATURES

- Use to replace traditional halogen and incandescent light sources
- 5 color temperatures in 1 SKU (2700/3000/3500/4000/5000K)
- Compatible with most standard recessed housings
- E26 Edison base adapter included
- Anti-UV plastic extends the life of the housing
- 50,000-hour lifespan

## Economical CCT-adjustable retrofit



## PERFORMANCE

Catalog Number	Size	Trim Style	Wattage Equivalency	Input Wattage	Lumens	Efficacy	Color Temperature	CRI	L70 Lifespan
R34-4	4"	Smooth	60W Incandescent	7.5W	700 lm	93 lm/W	Field-Adjustable dip switch 2700/3000/3500/4000/5000K	90+	50,000 hr
R34-4B	4"	Baffle	60W Incandescent	7.5W	700 lm	93 lm/W			
R34-6	6"	Smooth	75W Halogen	10W	900 lm	90 lm/W			
R34-6B	6"	Baffle	75W Halogen	10W	900 lm	90 lm/W			

Catalog Number	Wattage	CCT	Efficacy	Lumens	Wattage Equivalency
R34-4	7.5W	2700K	99 lm/W	739 lm	60W Incandescent
		3000K	100 lm/W	751 lm	
		3500K	101 lm/W	754 lm	
		4000K	98 lm/W	733 lm	
		5000K	97 lm/W	725 lm	

Catalog Number	Wattage	CCT	Efficacy	Lumens	Wattage Equivalency
R34-4B	7.5W	2700K	97 lm/W	726 lm	60W Incandescent
		3000K	98 lm/W	738 lm	
		3500K	99 lm/W	742 lm	
		4000K	96 lm/W	721 lm	
		5000K	95 lm/W	712 lm	

## PERFORMANCE (CONT'D)

Catalog Number	Wattage	CCT	Efficacy	Lumens	Wattage Equivalency
R34-6	10W	2700K	97 lm/W	959 lm	75W Halogen
		3000K	99 lm/W	978 lm	
		3500K	100 lm/W	995 lm	
		4000K	97 lm/W	964 lm	
		5000K	95 lm/W	925 lm	

Catalog Number	Wattage	CCT	Efficacy	Lumens	Wattage Equivalency
R34-6B	10W	2700K	95 lm/W	939 lm	75W Halogen
		3000K	97 lm/W	957 lm	
		3500K	98 lm/W	973 lm	
		4000K	95 lm/W	944 lm	
		5000K	93 lm/W	910 lm	

## TECHNICAL SPECIFICATIONS

### CONSTRUCTION

**Product Type**

Recessed Retrofit

**Shape**

Round

**Enclosure Material**

Plastic

**Finish**

White

**Lens**

Polycarbonate

**Trim Style**

Smooth, baffle

**Cut Out Template Size**

4": 4-5/16"

6": 6-5/16"

### ELECTRICAL

**Dimmable**

Yes, dimmable down to 10% on compatible TRIAC/ELV dimming systems. See Dimmer Compatibility List.

**THD**

≤20%

**Power Factor**

≥0.7

**Flicker**

≤30%

**Input Voltage**

120V

**Operating Frequency**

60Hz

**Operating Temperature**

-13°F to 104°F (-25°C to 40°C)

**Beam Angle**

90°

### COMPLIANCE

**Listing**

UL Classified

**Environment**

Suitable for use in dry, damp, and wet environments.

**UV Rated**

Suitable for exposure to direct sunlight.

**Energy Star Approved**

This product is ENERGY STAR® Version 2.2 Certified.

**IC Rated**

No

**Air Tight**

No

**DLC Listed**

No. There is no product category on the Design Lights Consortium (DLC) Qualified Products List for this product to qualify under.

**T20 Compliant**

Can be used to conform with the requirements of California Title 20.

**California Title 24 JA8 Compliant**

No

**California Energy Commission (CEC) Status**

Lawful for Sales in California

**NEC Compliant**

Suitable for use in closets. Compliant with NEC Sec. 410.16 (A)(1) and 410.16 (C3).

**IESNA LM-79 & LM80 Testing**

RAB LED luminaires and LED components have been tested by an independent laboratory in accordance with IESNA LM-79 and LM-80.

**FCC**

Complies with Part 15 of the FCC Rules.

**RoHS**

Mercury and UV free. RoHS-compliant components.

## TECHNICAL SPECIFICATIONS (CONT'D)

### INSTALLATION

#### Mounting

Recessed

#### Base Type

E26 Edison

### LED CHARACTERISTICS

#### Color Temperature

Field-adjustable dip switch 2700K/3000K/3500K/4000K/5000K

#### Color Accuracy (CRI)

>90

#### R9 Value

High color performance with R9 greater than or equal to 50

#### Color Consistency

4-step MacAdam Ellipse binning to achieve consistent fixture-to-fixture color

#### Color Stability

LED color temperature is warranted to shift no more than 200K in color temperature over a 5-year period

#### Color Uniformity

RAB's range of Correlated Color Temperature follows the guidelines of the American National Standard for Specifications for the Chromaticity of Solid State Lighting (SSL) Products, ANSI C78.377-2017.

### OTHER

#### Warranty

RAB warrants that our LED products will be free from defects in materials and workmanship for a period of five (5) years from the date of delivery to the end user, including coverage of light output, color stability, driver performance and fixture finish.

RAB's warranty is subject to all terms and conditions found at [rablighting.com/warranty](http://rablighting.com/warranty).

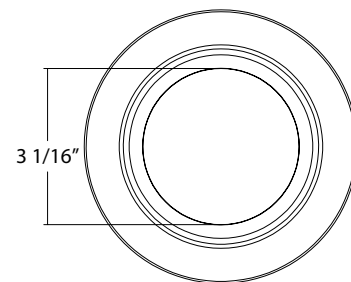
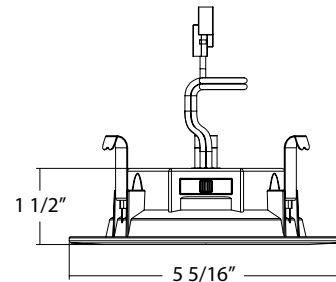
#### Note

All values are typical (tolerance +/- 10%)

## DIMENSIONS

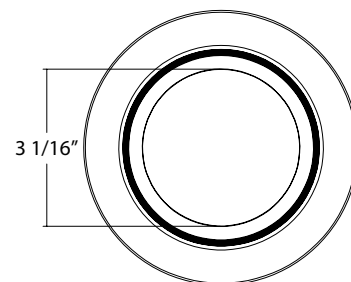
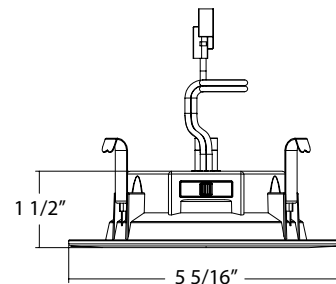
### R34-4

Weight: 0.24 lb



### R34-4B

Weight: 0.24 lb

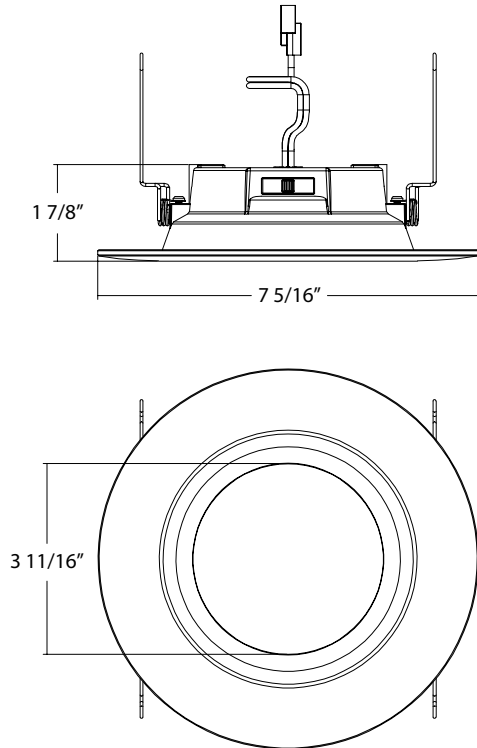


# R34 CCT-Adjustable Retrofit

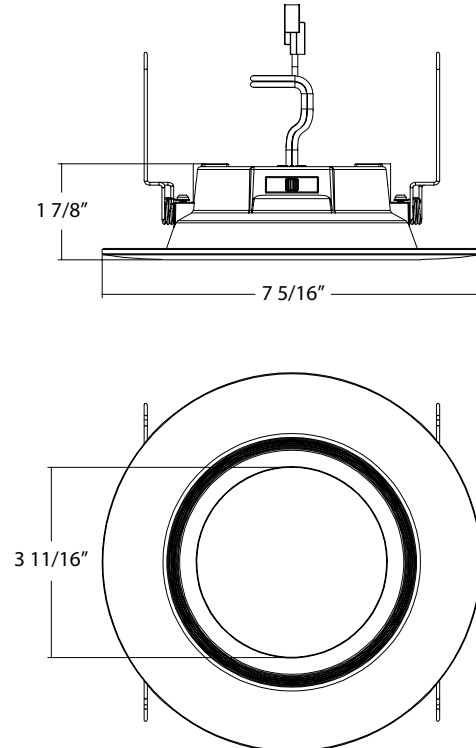


## DIMENSIONS (CONT'D)

R34-6  
Weight: 0.35 lb

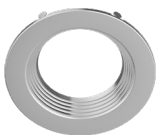


R34-6B  
Weight: 0.35 lb



## ACCESSORIES

### Baffle Trims



Brushed Nickel



Black



Bronze

Catalog Number	UPC	Description
DLTRIM/R4RB-BN-L	192552028219	4" Brushed nickel trim round baffle
DLTRIM/R4RB-BRZ-L	192552028226	4" Bronze trim round baffle
DLTRIM/R4RB-B-L	192552028202	4" Black trim round baffle
DLTRIM/R6RB-BN	192552000987	6" Brushed nickel trim round baffle
DLTRIM/R6RB-BRZ	192552022279	6" Bronze trim round baffle
DLTRIM/R6RB-B	192552001007	6" Black trim round baffle

### Retrofit Band



Catalog Number	UPC	Description
RFLED-RETROBAND	192552013710	Retrofit band

# R34 CCT-Adjustable Retrofit



## ACCESSORIES (CONT'D)

### Housing



NDCANIC4R



NDCANIC6R



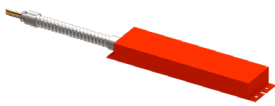
NDCANIC4R



NDCANIC6R

Catalog Number	UPC	Description
NDCANIC4R	19813702346	4" New construction housing
RDCANIC4R	19813702322	4" Retrofit housing
NDCANIC6R	19813702353	6" New construction housing
RDCANIC6R	19813702339	6" Retrofit housing

### Emergency Backup Driver



DRI-21-EMGR-DC-D10



DRI-25-EMGR-DC

Catalog Number	UPC	Description
DRI-21-EMGR-DC-D10	192552028264	Emergency driver 21W 0-10VT20
DRI-25-EMGR-DC	019813519180	Emergency driver 25W

## ORDERING INFO

Catalog Number	Certification Model Number	UPC	Case Pack
R34-4	DLR0141(R34-4)	192552031141	6
R34-4B	DLR0142(R34-4B)	192552031158	6
R34-6	DLR0143(R34-6)	192552031165	6
R34-6B	DLR0144(R34-6B)	192552031172	6

## ORDERING MATRIX

Family	Size/Wattage	Shape	CRI/Color Temp	Voltage	Finish	Trim
R34	-					
	4 6	4", 7.5W 6", 10W	Blank	Round	Blank	Blank 90CRI, Field-Adjustable 2700K/3000K/3500K/4000K/5000K
				Blank	120V	Blank
					Blank	White
						Blank B
						Smooth Baffle