



Commercial downlights with integrated Lightcloud Blue



PROJECT: _____

DATE: _____

TYPE: _____

PREPARED BY: _____



KEY FEATURES

- Direct Connect to the Lightcloud Blue mobile app via Bluetooth, **no Gateway or Hub required**
- Use mobile device to configure features for On/Off Control, Dim Level, Color Temperature, Schedules, Scenes, SmartShift and more
- **Tunable White 2700-6500K** with smooth transition between color temperatures
- **Circadian SmartShift Ready** to sync with local sunrise/sunset
- Mounts directly into ceiling, **no housing required**

PERFORMANCE

Catalog Number	Size	Wattage Equivalency	Input Wattage	Lumens	Efficacy	Input Voltage	Dim Type	CRI	L70 Lifespan
C623/LCB	6"	32W CFL	23W	1,900 lm	83 lm/W	120V-277V	via the Lightcloud Blue mobile app and devices	90*	50,000 hr
C830/LCB	8"	(2)-42W CFL	30W	2,600 lm	87 lm/W				

TECHNICAL SPECIFICATIONS

LIGHTCLOUD BLUE FEATURES

- Tunable White**
Adjust the color temperature from 2700K to 6500K via the Lightcloud Blue Remote or the mobile app.
- Direct Connect**
Use the Lightcloud Blue mobile app to connect to your lamps in minutes via Bluetooth Mesh; no Gateway or Hub required.
- Mobile App Control**
Use the Lightcloud Blue mobile app to configure features for On/Off Control, Dim Level, Color Temperature, Schedules, Scenes, SmartShift and more.
- SmartShift Circadian Lighting**
Automatically tunes the color and intensity of lights throughout the day, mimicking the sun's natural pattern.
- Scalable**
Devices within 60 feet of each other can communicate within the Bluetooth Mesh network to manage a maximum of up to tens of thousands of devices per account.

LIGHTCLOUD BLUE

- Gateway Required**
No
- Communication Protocol**
Bluetooth Mesh
- SmartShift**
SmartShift is the most advanced - yet easiest to use - circadian lighting system, which syncs white color tuning with the local sunrise and sunset.
- Range**
Up to 60 feet between standard building materials. Building materials such as brick, concrete, and steel construction may require additional Lightcloud Blue devices to extend around an obstruction. Up to 200 feet clear line of sight
- Spacing Criteria**
Lightcloud Blue devices should be placed within the specified range to communicate within the Bluetooth Mesh network.

TECHNICAL SPECIFICATIONS (CONT.)

LIGHTCLOUD BLUE

Factory Reset

Method 1: Delete from App

Open the app and access the device settings for the paired device. Be sure that the device is online and select 'Delete'. The device will flash on/off 5 times and return to full brightness.

Method 2: Manual

Power the device off and on 5x consecutively. Do not allow less than 4s to elapse from switching off to on. Do not allow more than 2 seconds to elapse from switching on to off. The device will flash 3x, then reset to 100% brightness at default CCT.

Method 3: Rapid Reset Tool

The Rapid Reset process must be done by a professional electrician qualified by RAB. Reach out to your RAB sales manager to request a Rapid Reset Tool. The tool simply needs to be placed directly on the small Lightcloud Blue logo on the device for 2 seconds or until the lamp/luminaire flashes 3x, then resets to 100% brightness at the default CCT.

CONSTRUCTION

Product Type

Commercial Downlight

Size

6", 8"

Shape

Round

Finish

White

Enclosure Material

Metal

Trim Style

Smooth

Lens

Polycarbonate

ELECTRICAL

Dimmable

Yes via the Lightcloud Blue mobile app and devices
This lamp will not operate properly when connected to a standard (*incandescent*) dimmer or dimming control.

THD

≤20%

Power Factor

≥0.9

Flicker

≤5%

Input Voltage

120V-277V

Operating Frequency

60Hz

Operating Temperature

-4°F to 104°F (-20°C to 40°C)

Beam Angle

80°±10°

INSTALLATION

Mounting

Recessed

COMPLIANCE

Listings

UL Listed, UL Classified

Environment

Suitable for use in dry, damp, and wet environments.

Energy Star Approved

This product is ENERGY STAR® Version 2.2 Certified.

IC Rated

No

Air Tight

Housing certified Air Tight as per ASTM E283

DLC Listed

No

T20 Compliant

No

California Title 24 JA8 Compliant

Can be used to conform with the requirements of California Title 24 Part 6.

California Energy Commission (CEC) Status

Lawful for Sales in California

NEC Compliant

Suitable for use in closets. Compliant with NEC Sec. 410.16 (A)(1) and 410.16 (C3).

IESNA LM-79 & LM80 Testing

RAB LED luminaires and LED components have been tested by an independent laboratory in accordance with IESNA LM-79 and LM-80.

FCC

Complies with Part 15 of the FCC Rules.

RoHS

Mercury and UV free. RoHS-compliant components.

LED CHARACTERISTICS

Color Temperature

Default: 3000K

Adjustable using the Lightcloud Blue mobile app

Tunable White 2700K - 6500K

Color Accuracy (CRI)

>90 CRI

R9 Value

High color performance with R9 greater than or equal to 50

Color Consistency

4-step MacAdam Ellipse binning to achieve consistent fixture-to-fixture color

Color Stability

LED color temperature is warrantied to shift no more than 200K in color temperature over a 5-year period.

Color Uniformity

RAB's range of Correlated Color Temperature follows the guidelines of the American National Standard for Specifications for the Chromaticity of Solid State Lighting (SSL) Products, ANSI C78.377-2017.

TECHNICAL SPECIFICATIONS (CONT'D)

OTHER

Warranty

RAB warrants that our LED products will be free from defects in materials and workmanship for a period of five (5) years from the date of delivery to the end user, including coverage of light output, color stability, driver performance and fixture finish.

RAB's warranty is subject to all terms and conditions found at rablighting.com/warranty.

Note

All values are typical (tolerance +/- 10%)

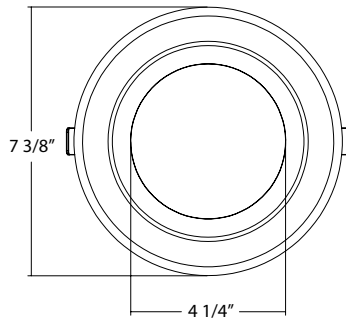
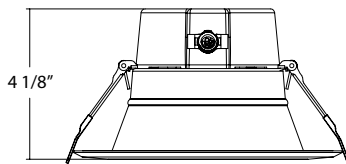
Download the Lightcloud Blue app for free to get started!



DIMENSIONS

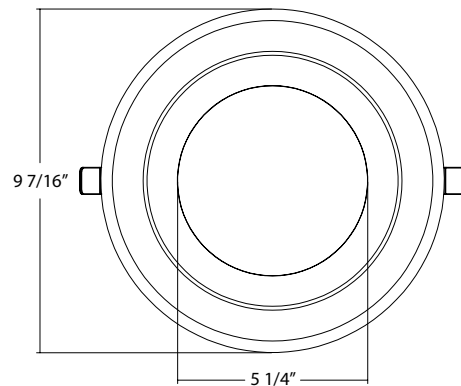
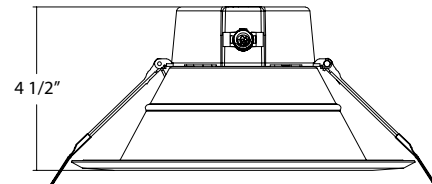
6" 23W

Weight: 1.01 lbs



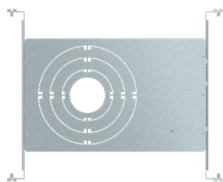
8" 30W

Weight: 1.19 lbs

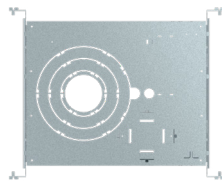


ACCESSORIES (SOLD SEPARATELY)

Mounting Plate w/ nailer bar



DLPLATE/WFR3468/NB



DLPLATE/C3468R/NB

Catalog Number	UPC	Description
DLPLATE/WFR3468/NB	192552000673	Mounting plate with nailer bar
DLPLATE/C3468R/NB	192552000680	Mounting plate with nailer bar

ACCESSORIES (SOLD SEPARATELY)

6" Trims



6" Round
Brushed Nickel



6" Round
Bronze



6" Round
Black

Catalog Number	UPC	Description
DLTRIM/CRLEDFA6R-BS	192552024082	6" Smooth Black Color Trim
DLTRIM/CRLEDFA6R-BNS	192552024099	6" Smooth Brushed Nickel Color Trim
DLTRIM/CRLEDFA6R-BRS	192552024105	6" Smooth Bronze Color Trim

8" Trims



8" Round
Brushed Nickel



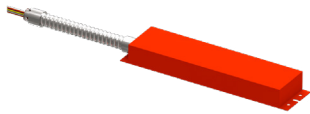
8" Round
Bronze



8" Round
Black

Catalog Number	UPC	Description
DLTRIM/CRLEDFA8R-BS	192552024112	8" Smooth Black Color Trim
DLTRIM/CRLEDFA8R-BNS	192552024129	8" Smooth Brushed Nickel Color Trim
DLTRIM/CRLEDFA8R-BRS	192552024136	8" Smooth Bronze Color Trim

Emergency Backup Driver



Catalog Number	UPC	Description
DRI-21-EMGR-DC-D10	192552028264	Emergency backup driver

Goof Rings



Catalog Number	UPC	Description
DL6-8GOOF/R/P/CRLEDFA	192552024617	Commercial Downlight 6"-8" Goof Ring
DL8-10GOOF/R/P/CRLEDFA	192552024624	Commercial Downlight 8"-10" Goof Ring
DL8-12GOOF/R/P/CRLEDFA	192552024631	Commercial Downlight 8"-12" Goof Ring

ORDERING INFO

Catalog Number	Certification Model Number	UPC	Case Pack
C623/LCB	C623/LCB	192552030182	4
C830/LCB	C830/LCB	192552030199	4

ORDERING MATRIX

Family	Size	Shape	Wattage	CRI/Color Temp	Voltage	Finish	Trim	Options
C								/LCB
	6 8	Blank Round	23 23W (6" only) 30W (8" only)	Blank 90 CRI, Tunable White 2700-6500K	Blank 120V-277V	Blank White	Blank Smooth	/LCB Lightcloud Blue-enabled