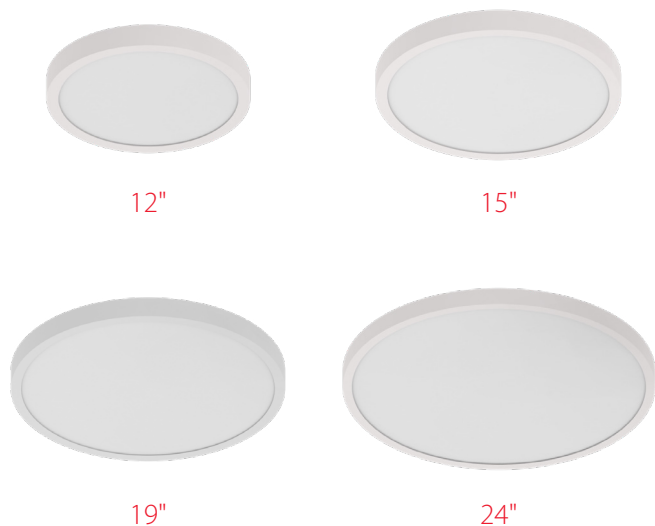


Field-Adjustable SUMO XL



PROJECT: _____

DATE: _____

TYPE: _____

PREPARED BY: _____



KEY FEATURES

- Surface mount to ceiling or wall
- Available in multiple sizes: 12", 15", 19" and 24"
- Select from 5 field-adjustable color temperatures: 2700K, 3000K, 3500K, 4000K, or 5000K
- Diffusion lens provides soft, smooth light
- Ideal for both commercial and residential applications
- Select models dimmable with 0-10V and/or TRIAC
- Suitable for indoor/outdoor applications in dry, damp, or wet environments
- Available in 120V or 120V-277V
- 50,000-hour lifespan

The low-profile, field-adjustable SUMO XL



PERFORMANCE

Catalog Number	Size	Equivalency	Input Wattage	Input Voltage	Dim Type	Color Temperature	CRI	L70 Lifespan
SUMO-R-12	12"	125W Incandescent	24W	120V	TRIAC/ELV	Field-Adjustable 2700K/3000K/3500K/4000K/5000K	90+	50,000-hr
SUMO-R-15	15"	150W Incandescent	26W	120V	TRIAC/ELV			
SUMO-R-19	19"	150W Incandescent	30W	120V	TRIAC/ELV			
SUMO-R-12/D10	12"	125W Incandescent	24W	120-277V	0-10V & TRIAC/ELV			
SUMO-R-15/D10	15"	150W Incandescent	26W	120-277V	0-10V & TRIAC/ELV			
SUMO-R-19/D10	19"	150W Incandescent	30W	120-277V	0-10V & TRIAC/ELV			
SUMO-R-24/D10	24"	200W Incandescent	35W	120-277V	0-10V & TRIAC/ELV			

Catalog Number	Wattage	CCT	Efficacy	Lumens	Equivalency Wattage
SUMO-R-12 SUMO-R-12/D10	24W	2700K	75 Lm/W	1800 Lm	125W Incandescent
		3000K	78 Lm/W	1880 Lm	
		3500K	80 Lm/W	1930 Lm	
		4000K	81 Lm/W	1950 Lm	
		5000K	79 Lm/W	1900 Lm	

PERFORMANCE (CONT.)

Catalog Number	Wattage	CCT	Efficacy	Lumens	Equivalency Wattage
SUMO-R-15 SUMO-R-15/D10	26W	2700K	75 Lm/W	1950 Lm	150W Incandescent
		3000K	78 Lm/W	2050 Lm	
		3500K	82.5 Lm/W	2150 Lm	
		4000K	84.5 Lm/W	2200 Lm	
		5000K	85 Lm/W	2200 Lm	

Catalog Number	Wattage	CCT	Efficacy	Lumens	Equivalency Wattage
SUMO-R-19 SUMO-R-19/D10	30W	2700K	75 Lm/W	2250 Lm	150W Incandescent
		3000K	78 Lm/W	2350 Lm	
		3500K	81.5 Lm/W	2450 Lm	
		4000K	81.5 Lm/W	2450 Lm	
		5000K	77 Lm/W	2300 Lm	

Catalog Number	Wattage	CCT	Efficacy	Lumens	Equivalency Wattage
SUMO-R-24/D10	35W	2700K	74 Lm/W	2600 Lm	200W Incandescent
		3000K	75.5 Lm/W	2650 Lm	
		3500K	80 Lm/W	2800 Lm	
		4000K	80 Lm/W	2810 Lm	
		5000K	81 Lm/W	2850 Lm	

TECHNICAL SPECIFICATIONS

CONSTRUCTION

Product Type

Field-adjustable, edge-lit surface mount

Fixture Shape

Round

Housing Material

Metal

Fixture Finish

White

Trim Style

Smooth

Lens

Frosted lens constructed from polycarbonate material diffuses light evenly and smoothly.

INSTALLATION

Mounting

Surface mounts to existing junction box

ELECTRICAL

Dimmable

Select models dimmable with 0-10V and/or TRIAC. See Dimmer Compatibility List

THD

≤20%

Power Factor

≥0.9

Flicker

≤30%

Input Voltage

120V or 120V-277V

Operating Frequency

50/60Hz

Operating Temperature

-4°F to 104°F (-20°C to 40°C)

Note

All values are typical (tolerance +/- 10%)

TECHNICAL SPECIFICATIONS

COMPLIANCE

Safety Listing

UL Listed

Environment

Suitable for use in indoor and outdoor application in dry, damp, and wet environments.

UV Protection

Fade-resistant powder spray polyester

California Title 24 JA8 Compliant

Can be used to conform with the requirements of California Title 24 Part 6.

California Energy Commission (CEC) Status

Lawful for Sales in California

NEC Compliant

Suitable for use in closets. Compliant with NEC Sec. 410.16 (A)(1) and 410.16 (C3).

IESNA LM-79 & LM80 Testing

RAB LED luminaires and LED components have been tested by an independent laboratory in accordance with IESNA LM-79 and LM-80.

FCC

Complies with Part 15 of the FCC Rules.

RoHS

Mercury and UV free. RoHS-compliant components.

LED CHARACTERISTICS

Color Temperature

Field-Adjustable: 2700K/3000K/3500K/4000K/5000K

Color Accuracy (CRI)

>90

R9 Value

High color performance with R9 greater than or equal to 50

Color Consistency

4-step MacAdam Ellipse binning to achieve consistent fixture-to-fixture color

Color Stability

LED color temperature is warrantied to shift no more than 200K in color temperature over a 5-year period

Color Uniformity

RAB's range of Correlated Color Temperature follows the guidelines of the American National Standard for Specifications for the Chromaticity of Solid State Lighting (SSL) Products, ANSI C78.377-2017.

OTHER

Warranty

RAB warrants that our LED products will be free from defects in materials and workmanship for a period of five (5) years from the date of delivery to the end user, including coverage of light output, color stability, driver performance and fixture finish.

RAB's warranty is subject to all terms and conditions found at rablighting.com/warranty.

Trade Agreements Act Compliant

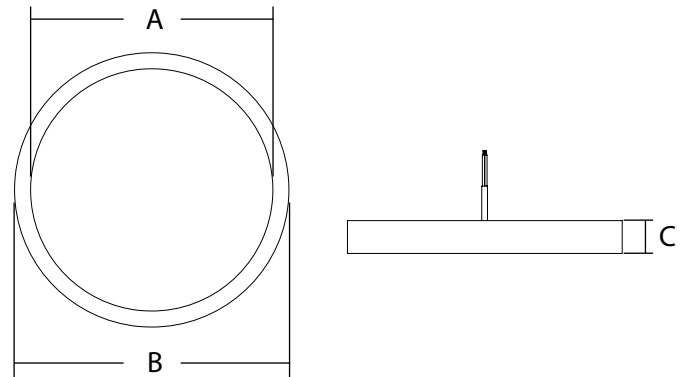
This product is a product of Cambodia and a "designated country" end product that complies with the Trade Agreements Act.

Buy American Act Compliance

RAB values USA manufacturing! Upon request, RAB may be able to manufacture this product to be compliant with the Buy American Act (BAA). Please contact customer service to request a quote for the product to be made BAA compliant.

DIMENSIONS

SUMO XL - Round



Size	Weight	A	B	C
12"	2.38lbs	10 5/8"	12"	1 7/16"
15"	3.35lbs	13 9/16"	15"	1 7/16"
19"	4.81lbs	17 9/16"	19"	1 7/16"
24"	6.94lbs	22 9/16"	24"	1 7/16"

Field-Adjustable SUMO XL



ORDERING INFO

Catalog Number	Model Number	UPC	Case Pack
SUMO-R-12	DLS0141(SUMO-R-12)	192552024662	4
SUMO-R-15	DLS0142(SUMO-R-15)	192552024679	4
SUMO-R-19	DLS0143(SUMO-R-19)	192552024686	3
SUMO-R-12/D10	DLS0144(SUMO-R-12/D10)	192552024693	4
SUMO-R-15/D10	DLS0145(SUMO-R-15/D10)	192552024709	4
SUMO-R-19/D10	DLS0146(SUMO-R-19/D10)	192552024716	3
SUMO-R-24/D10	DLS0147(SUMO-R-24/D10)	192552024723	3

ORDERING MATRIX

Family	Shape	Size	CRI/Color Temp	Voltage/Dimming	Finish
SUMO	- R -	- -	-	-	-
	R Round	12 12", 24W 15 15", 26W 19 19", 30W 24 24", 35W	Blank 90 CRI, Field-adjustable 2700K/3000K/3500K/4000K/5000K	Blank 120V, TRIAC dimming /D10 120V, 0-10V + TRIAC Dimming*	Blank White

*24" only available with /D10