

# T5HO Bypass Double Ended



PROJECT: \_\_\_\_\_

DATE: \_\_\_\_\_

TYPE: \_\_\_\_\_

PREPARED BY: \_\_\_\_\_



## T5HO Type B Bypass Single/Double Ended Tubes



### KEY FEATURES

- Replacement for conventional fluorescent tubes
- Integral Driver enables lamp to be wired directly to line voltage without need for an external driver or ballast
- Double ended wiring method
- Diffused frosted lens will maintain the same light quality over time
- NSF/ANSI Standard 2 - food Equipment - Splash Zone (Not for Direct Food Zone without additional fixture considerations)

### PERFORMANCE

Catalog Number	Size	Equivalency	Input Wattage	Lumens	Efficacy	Color Temperature	CRI	L70 Lifespan	DLC ID
T5-25-48G-830-BYP	4 ft	54W Fluorescent	25W	3,300 lm	132 lm/W	3000K	≥82	50,000 hrs	POWGAPJJ
T5-25-48G-835-BYP	4 ft	54W Fluorescent	25W	3,300 lm	132 lm/W	3500K	≥82	50,000 hrs	PYFA1QQL
T5-25-48G-840-BYP	4 ft	54W Fluorescent	25W	3,500 lm	140 lm/W	4000K	≥82	50,000 hrs	P4ZNIOTD
T5-25-48G-850-BYP	4 ft	54W Fluorescent	25W	3,500 lm	40 lm/W	5000K	≥82	50,000 hrs	PTP9U4G5

## TECHNICAL SPECIFICATIONS

### CONSTRUCTION

**Product Type**

Linear Tube

**Lens Finish**

Frosted

**Length (Nominal)**

4 ft

**Endcap Material**

Aluminum

**Bulb Shape**

T5HO

**Base Type**

G5

**Enclosure Material**

Glass

### ELECTRICAL

**Dimmable**

Yes, but not suggested for dimming applications.

**THD**

20%

**Power Factor**

0.9

**Input Voltage**

120-277V

**Operating Frequency**

50/60Hz

**Operating Temperature**

-4°F to 113°F (-20°C to 45°C)

**Flicker**

N/A

### INSTALLATION

**Installation Method**

UL Type B, Ballst Bypass

### LED Characteristics

**Beam Angle**

180°

**R9 Value**

High color performance with R9 greater than 0

**Color Temperature**

3000K, 3500K, 4000K, 5000K

**Color Consistency**

<4-step MacAdam Ellipse binning to achieve consistent fixture-to-fixture color

**Color Stability**

LED color temperature is warrantied to shift no more than 200K in color temperature over a 5-year period

**Color Uniformity**

RAB's range of Correlated Color Temperature follows the guidelines of the American National Standard for Specifications for the Chromaticity of Solid State Lighting (SSL) Products, ANSI C78.377-2017.

### COMPLIANCE

**Listing**

UL Classified, UL Recognized

**Environment**

Suitable for use in dry and damp environments

**Fixture Rating**

Suitable for use in enclosed fixtures

**California Energy Commission (CEC) Status**

Lawful for sales in California

**California Title 24 JA8 Compliant**

No

**ETL Listed**

N/A

**T20 Compliant**

No

**NSF Listing**

Meets NSF/ANSI standards for use in Food Zone (non-contact), Splash, and Non-Food Zones. Tube guard required in open fixtures.

**RoHS**

Mercury and UV free. RoHS-compliant components.

**FCC**

Complies with Part 15 of the FCC Rules

**DLC ID**

POWGAPJJ

**DLC Listed**

This product is on the Design Lights Consortium (DLC) Qualified Products List and is eligible for rebates from DLC Member Utilities. Designed to meet DLC 5.1 requirements.

### OTHER

**Warranty**

RAB warrants that our LED products will be free from defects in materials and workmanship for a period of five (5) years from the date of delivery to the end user, including coverage of light output, color stability, driver performance and fixture finish.

RAB's warranty is subject to all terms and conditions found at [rablighting.com/warranty](http://rablighting.com/warranty)

**Compatible Products**

DRI-5-EMGR-T8

5W Emergency driver

DRI-10-EMGR-TYPE B

10W Emergency Driver

**Note**

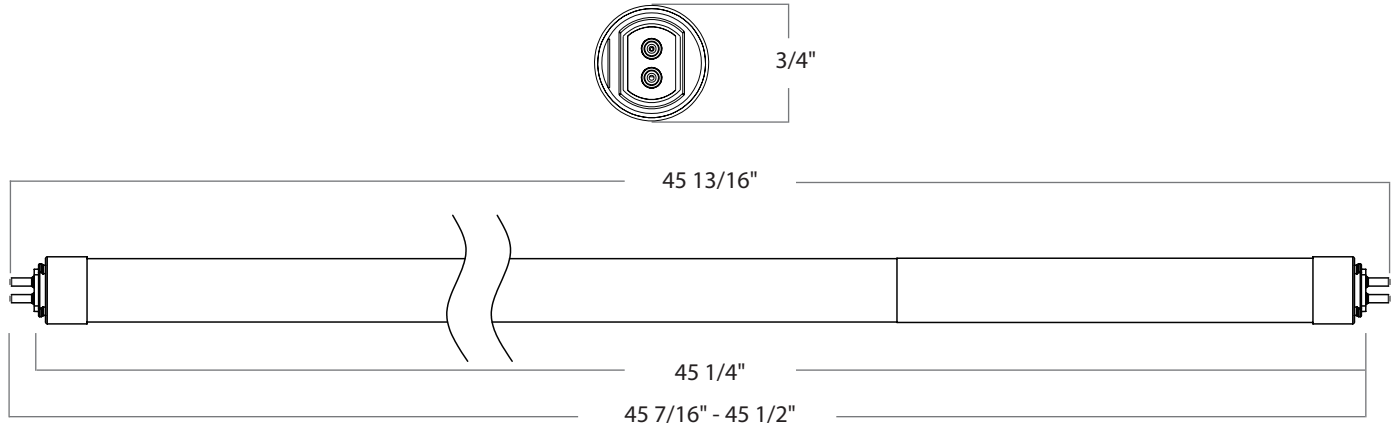
All values are typical (tolerance +/- 10%)

# T5HO Bypass Double Ended



## DIMENSIONS

T5HO DE 4FT  
Weight: 0.5 lb



## ORDERING INFO

Catalog Number	Model Number (DLC/Energy Star)	UPC	Case Pack
T5-25-48G-830-BYP	T5-25-48G-830-BYP	019813751313	25
T5-25-48G-830-BYP	T5-25-48G-830-BYP	019813751320	25
T5-25-48G-840-BYP	T5-25-48G-840-BYP	019813751337	25
T5-25-48G-850-BYP	T5-25-48G-850-BYP	019813751344	25

## ORDERING MATRIX

Family	Wattage	Length/ Material	CRI/Color Temp	Wiring Method	Installation Type
T5HE	-			SE	BYP
	13 13W	48G 4 ft, Glass	850 80 CRI, 5000K 840 80 CRI, 4000K 830 80 CRI, 3500K 827 80 CRI, 2700K	SE Single Ended	BYP Type B, Ballast Bypass