

WP123, The 3-Way, Field-Adjustable Wall Packs



WP1



WP2



WP3



PROJECT:

DATE:

TYPE:

PREPARED BY:



KEY FEATURES

- The 3-way field-adjustable fixtures comes in three different sizes and eight models with adjustable wattages:
WP1XFU29: 29W/20W/15W
WP1XFU29: 29W/20W/15W
WP2XFU40: 40W/30W/20W
WP2XFU60: 60W/45W/30W
WP2XFU80: 80W/60W/40W
WP2XFU100: 100W/80W/60W
WP3XFU120: 120W/100W/80W
WP3XFU120: 150W/130W/100W
- Adjustable CCT: 3000K/4000K/5000K
- Voltage ratings: 120-277V
- Comes with integrated photocell
- Suitable for wet locations
- IP65 rated
- 5-Year, limited warranty

The 3-way, field-adjustable wall packs with selectable photocell

IP65

IP RATING



INTEGRATED
PHOTOCELL



FIELD
ADJUSTABLE



0-10V



100,000
HRS



WET
RATED

TECHNICAL SPECIFICATIONS

COMPLIANCE

UL Listed:

Suitable for wet locations. Suitable for mounting within 4 feet of the ground

IP Rating:

Ingress protection rating of IP65 for dust and water

LED CHARACTERISTICS

LEDS

Long-life, high-efficacy, surface-mount LEDs

Color Uniformity

RAB's range of Correlated Color Temperature follows the guidelines of the American National Standards for Specifications for the Chromaticity of Solid State Lighting (SLL) Products, ANSI C78.377-2017.

IESNA LM-79 & LM-80 Testing:

RAB LED luminaires and LED components have been tested by an independent laboratory in accordance with IESNA LM-79 and LM-80.

CONSTRUCTION

Cold Weather Starting

Minimum starting temperature is -40°C (-40°F)

Maximum Ambient Temperature

Suitable for use in up to 50°C (122°F)

Mounting

Wall mount

Housing Material

Die-case aluminum

Lens

Glass

Gaskets

High-temperature silicone

Green Technology

Mercury and UV free. RoHS-compliant components.

Finish

Formulated for high durability and long lasting color

TECHNICAL SPECIFICATIONS (CONTINUED)

CONSTRUCTION

Effective Projected Area (EPA):

WP1XFU: 0.45 ft²
 WP2XFU: 0.46 ft²
 WP3XFU: 0.60 ft²

FIELD ADJUSTABLE

Color temperature: Selectable by 3000K, 4000K and 5000K (4000K default)

Wattages:

WP1XFU29: 29W/20W/15W (29W default)
WP2XFU29: 29W/20W/15W (29W default)
WP2XFU40: 40W/30W/20W (40W default)
WP2XFU60: 60W/45W/30W (60W default)
WP2XFU80: 80W/60W/40W (80W default)
WP2XFU100: 100W/80W/60W (100W default)
WP3XFU50: 50W/40W/30W (50W default)
WP3XFU120: 120W/100W/80W (120W default)
WP3XFU150: 150W/130W/100W (150W default)

ELECTRICAL

Drivers:

Constant Current, Class 1, 120-277V, 50/60 Hz

WP1XFU29

29W: 120V: 0.24A, 208V: 0.14A, 240V: 0.13A, 277V: 0.11A
20W: 120V: 0.17A, 208V: 0.10A, 240V: 0.09A, 277V: 0.08A
15W: 120V: 0.13A, 208V: 0.07A, 240V: 0.07A, 277V: 0.06A

WP2XFU60

60W: 120V: 0.51A, 208V: 0.30A, 240V: 0.27A, 277V: 0.23A
45W: 120V: 0.38A, 208V: 0.22A, 240V: 0.20A, 277V: 0.17A
30W: 120V: 0.30A, 208V: 0.17A, 240V: 0.16A, 277V: 0.14A

WP2XFU80

80W: 120V: 0.65A, 208V: 0.38A, 240V: 0.34A, 277V: 0.30A
60W: 120V: 0.49A, 208V: 0.28A, 240V: 0.26A, 277V: 0.22A
40W: 120V: 0.33A, 208V: 0.19A, 240V: 0.17A, 277V: 0.15A

WP2XFU100

100W: 120V: 0.83A, 208V: 0.48A, 240V: 0.44A, 277V: 0.38A
80W: 120V: 0.67A, 208V: 0.38A, 240V: 0.35A, 277V: 0.30A
60W: 120V: 0.50A, 208V: 0.29A, 240V: 0.26A, 277V: 0.23A

WP3XFU50

50W: 120V: 0.50A, 208V: 0.30A, 240V: 0.25A, 277V: 0.20A
40W: 120V: 0.40A, 208V: 0.30A, 240V: 0.20A, 277V: 0.15A
30W: 120V: 0.28A, 208V: 0.16A, 240V: 0.16A, 277V: 0.12A

WP3XFU120

120W: 120V: 0.96A, 208V: 0.55A, 240V: 0.51A, 277V: 0.44A
100W: 120V: 0.80A, 208V: 0.46A, 240V: 0.42A, 277V: 0.36A
80W: 120V: 0.64A, 208V: 0.37A, 240V: 0.34A, 277V: 0.29A

WP3XFU150

150W: 120V: 1.19A, 208V: 0.69A, 240V: 0.63A, 277V: 0.55A
130W: 120V: 1.04A, 208V: 0.60A, 240V: 0.55A, 277V: 0.47A
100W: 120V: 0.80A, 208V: 0.46A, 240V: 0.42A, 277V: 0.36A

Surge Protection

WP1XFU: 2.5kV
WP2XFU / WP3XFU: 6kV

Photocell

120-277V compatible, Integrated Button Photocell included.

Note

All values are typical (tolerance +/- 10%)

ELECTRICAL (CONTINUED)

THD/Power Factor

MODEL#	THD	PF	THD	PF
	120V		277V	
WP1XFU29	12.2%	98.9%	13.0%	
WP2XFU29				
WP2XFU40	9.9%	99.0%	14.1%	
WP2XFU60	13.6%	99.0%	8.5%	
WP2XFU80	13.4%	98.8%	9.9%	
WP2XFU100	4.7%	99.0%	12.5%	
WP3XFU50				
WP3XFU120	5.6%	99.0%	8.9%	
WP3XFU150	3.9%	99.0%	10.9%	

PERFORMANCE

Lifespan

60,000-hour LED lifespan based on IES LM-80 results and TM-21 calculations

OTHER

Warranty

The RAB 5-year, limited warranty covers light output, driver performance and paint finish. RAB's warranty is subject to all terms and conditions found at rablighting.com/warranty.

BUY American Act Compliance:

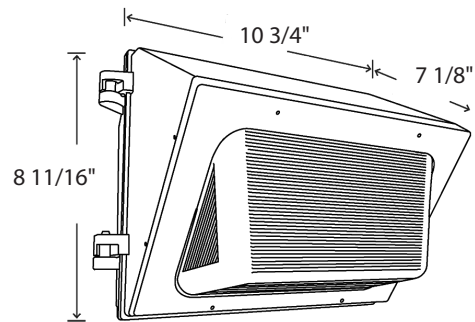
RAB values USA manufacturing! Upon request, RAB may be able to manufacture this product to be compliant with the BUY American Act (BAA). Please contact customer service to request a quote for the product to be made BAA compliant.

WP123, The 3-Way, Field-Adjustable Wall Packs

DIMENSIONS

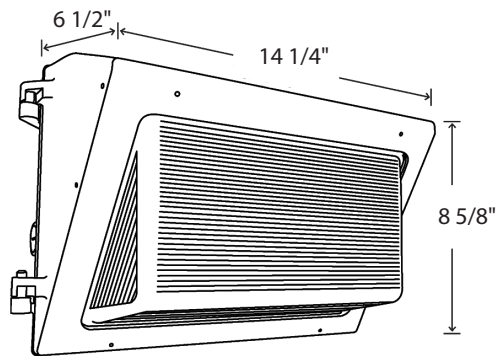
WP1XFU

Weight: 5.9 lbs



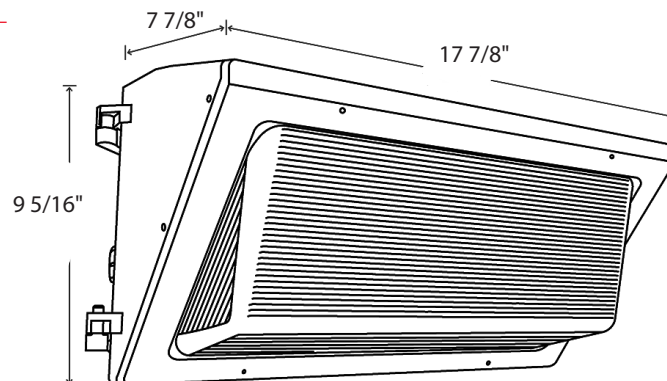
WP2XFU

Weight: 7.5 lbs



WP2XFU

Weight: 11.6 lbs



WP123, The 3-Way, Field-Adjustable Wall Packs

PERFORMANCE									
WP1XFU29	3000K	4000K	5000K	3000K	4000K	5000K	3000K	4000K	5000K
WATTAGE	29W			20W			15W		
INPUT WATTS	29.7W	29W	29.7W	20W	20.5W	20.5W	15.4W	15W	15.3W
LUMENS	4,009	4,216	42,83	2,793	2,937	2,984	2,115	2,225	2,260
EFFICACY	135	146	146	136	147	146	138	148	147
CRI	83	84	82	83	84	82	83	84	82
VOLTAGE RATING	120/277V								
WP2XFU29	3000K	4000K	5000K	3000K	4000K	5000K	3000K	4000K	5000K
WATTAGE	29W			20W			15W		
INPUT WATTS	29W	29W	29W	20W	20W	20W	15W	15W	15W
LUMENS	4,176	4,350	4,337	2,924	3,113	3,022	2,216	2,358	2,289
EFFICACY	143	153	148	146	156	151	148	157	153
CRI	80	80	80	80	80	80	80	80	80
VOLTAGE RATING	120/277V								
WP2XFU40	3000K	4000K	5000K	3000K	4000K	5000K	3000K	4000K	5000K
WATTAGE	40W			30W			20W		
INPUT WATTS	39.5W	38.8W	39.3W	29.6W	29.1W	29.5W	19.8W	19.4W	19.7W
LUMENS	5,392	5,749	5,535	4,085	4,355	4,193	2,750	2,932	2,823
EFFICACY	138	148	141	138	150	142	139	151	144
CRI	81	83	82	81	83	82	81	84	82
VOLTAGE RATING	120/277V								
WP2XFU60	3000K	4000K	5000K	3000K	4000K	5000K	3000K	4000K	5000K
WATTAGE	60W			45W			35W		
INPUT WATTS	62.7W	60.6W	62.9W	47W	45.5W	47.2W	36.6W	35.4W	36.7W
LUMENS	8,762	9,140	8,990	6,637	6,924	6,810	5,214	5,439	5,350
EFFICACY	140	151	143	141	152	144	143	154	146
CRI	81	84	82	82	82	81	82	84	83
VOLTAGE RATING	120/277V								
WP2XFU80	3000K	4000K	5000K	3000K	4000K	5000K	3000K	4000K	5000K
WATTAGE	80W			60W			40W		
INPUT WATTS	79.5W	77.3W	79.2W	59.6W	58W	59.4W	39.7W	38.7W	39.6W
LUMENS	11,079	11,606	11,296	8,392	8,791	8,557	5,651	5,919	5,762
EFFICACY	139	150	143	141	152	144	142	153	146
CRI	80	83	82	81	82	81	83	84	83
VOLTAGE RATING	120/277V								
WP2XFU100	3000K	4000K	5000K	3000K	4000K	5000K	3000K	4000K	5000K
WATTAGE	100W			80W			60W		
INPUT WATTS	102.7W	98.8W	102.6W	82.2W	79W	82W	61.6W	59.3W	61.5W
LUMENS	14,551	15,364	14,630	11,757	12,414	11,821	8,906	9,404	8,954
EFFICACY	142	156	143	143	157	144	145	159	146
CRI	82	84	82	81	83	81	81	84	82
VOLTAGE RATING	120/277V								

WP123, The 3-Way, Field-Adjustable Wall Packs



PERFORMANCE

WP3XFU50	3000K	4000K	5000K	3000K	4000K	5000K	3000K	4000K	5000K
WATTAGE	50W			40W			30W		
INPUT WATTS	50W	50W	50W	40W	40W	40W	30W	30W	30W
LUMENS	7,007	7,598	7,695	5,625	6,163	6,056	4,305	4,716	4,635
EFFICACY	148	159	151	148	159	151	148	159	151
CRI	82	84	82	81	84	81	81	84	83
VOLTAGE RATING	120/277V								

WP3XFU120	3000K	4000K	5000K	3000K	4000K	5000K	3000K	4000K	5000K
WATTAGE	120W			100W			80W		
INPUT WATTS	116.9W	113.8W	117.6W	97.4W	94.8W	98W	78W	75.9W	78.4W
LUMENS	15,440	16,865	16,953	12,995	14,195	14,269	10,500	11,470	11,529
EFFICACY	132	148	144	133	150	146	135	151	147
CRI	82	84	82	81	84	81	81	84	83
VOLTAGE RATING	120/277V								

WP3XFU150	3000K	4000K	5000K	3000K	4000K	5000K	3000K	4000K	5000K
WATTAGE	150W			130W			100W		
INPUT WATTS	147.1W	142W	148.3W	127.5W	123W	128.6W	98W	94.6W	98.9W
LUMENS	19,490	21,030	21,552	17,060	18,408	18,865	13,254	14,302	14,657
EFFICACY	133	148	145	134	150	147	135	151	148
CRI	82	84	81	81	83	81	82	84	82
VOLTAGE RATING	120/277V								

ORDERING MATRIX

WP123

Family	Wattage	Color Temperature	Finish	Voltage/Driver
WP1XFU	29	29/20/15W, Adjustable	BLANK 3000K/4000K/5000K Adjustable	BLANK Bronze BLANK 120-277V, 0-10V Dimming
WP2XFU	40	40/30/20W, Adjustable		BLACK /LC Selectable Photocell Lightcloud Controller
WP3XFU	50	50/40/30W, Adjustable		
	60	60/45/30W, Adjustable		
	100	100/80/60W, Adjustable		
	120	120/100/80W, Adjustable		
	150	150/130/100W, Adjustable		

*29/20/15W is available in WP1XFU & WP2XFU29 only.
 40/30/20W, 60/45/35W, 80/60/40W, 100/80/60W is available in WP2XFU only.
 50/40/30W, 80/100/120W & 100/130/150W is available in WP3XFU only.